

# ECOMAX PLUS SERIES

## GLASSWASHERS

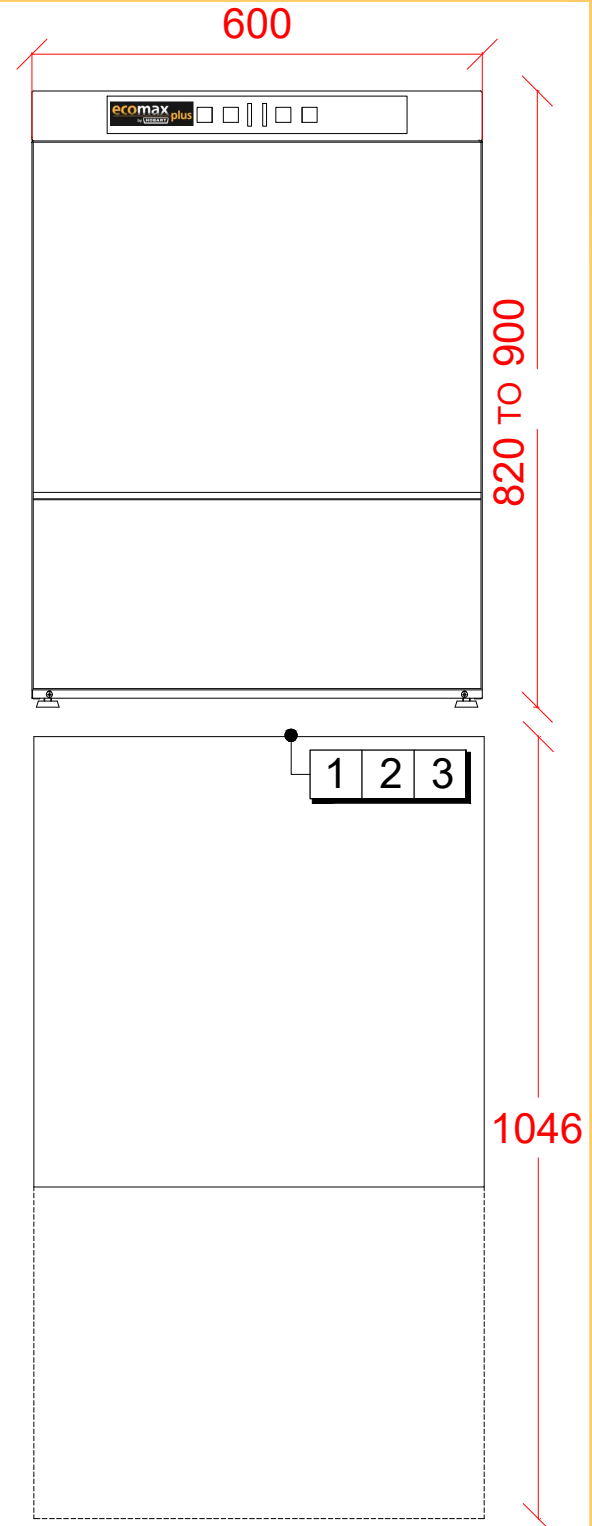
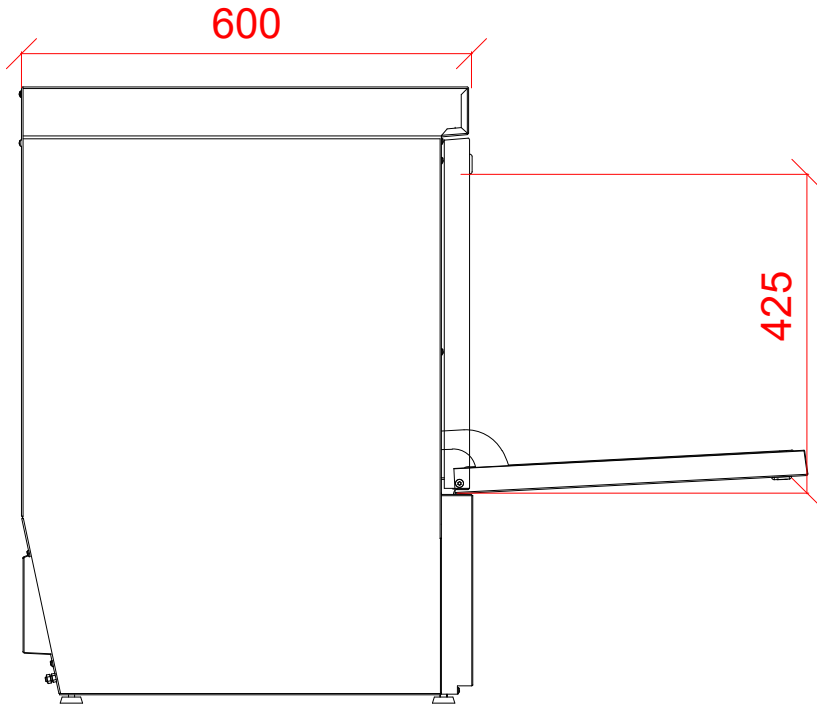


**ecomax** plus  
by **HOBART**

ECOMAX (HOBART UK)  
SOUTHGATE WAY,  
ORTON SOUTHGATE,  
PETERBOROUGH.  
PE2 6GN  
TEL:0870 168 8881  
www.hobartindependent.co.uk

Undercounter Glasswasher with Inbuilt Softener

G503S-10A



### 1 Water

22mm CONNECTION VIA 2 METRE FLEXIBLE HOSE, FEMALE TERMINATION.

WATER SUPPLY 10 TO 60°C (2° TO 8° CLARK MAX) @ 0.6 TO 6.0 BAR MAX. INITIAL TANK FILL 10.8 LITRES.

RINSE WATER USAGE 2.5 LITRES PER CYCLE. MAX USAGE 150 LITRES PER HOUR.

OUR MACHINES ARE SUPPLIED WITH CLASS 'AA' AIR GAP AS STANDARD.

### 2 Drain

DRAIN - 2 METRE FLEXIBLE HOSE TO A 40 mm TRAPPED STANDPIPE 750mm MAX A.F.F.L.

FLOW RATE 30 LITRES PER MINUTE.

### Other Services

RINSE AGENT HOSE - 2.5 METRE FLEXIBLE.  
DETERGENT HOSE - 2.5 METRE FLEXIBLE.

### 3 Electric

5.6kW 230/50/1 + N + E FUSED AT 25amps

**CONFIGURABLE TO:**

7.7kW 400/50/3 FUSED AT 16amps/ PHASE.

MACHINE SUPPLIED WITH 2.5 METRES OF CABLE (3 PHASE).

### Notes

APPROX WEIGHTS:  
EMPTY: 65kg's WITH WATER: 87kg's

PLOT SCALE: 1:10

RIGHT TO MAKE NECESSARY CHANGES IS RESERVED