



UCGO85A

Features

- Produces clear, long-lasting gourmet cubes.
- Space-saving 463 mm wide under-counter design.
- Produces up to 40 kg of ice per day.
- Constructed from sturdy, corrosion-resistant stainless steel and fingerprint-proof plastic.
- Ideal for any under-counter or bar application.
- Contemporary, elegant design.
- Environmentally friendly R134A refrigerant.
- Easily adjust the thickness of your ice from the front of the machine!

Space-Saving Solutions

- Front air discharge design for compact spaces.
- Low profile top saves counter space.
- Stores up to 15 kg of ice.
- Easy front access to ice.
- Removable Air Filter.

Options & Accessories

WATER FILTERS			
Ice Machine Model	Manifold		Inline
	System	Replacement	System
UCGO85	IFQ1-S	IOMQ-S	IF14C / IF18C

Ice Maker Warranty

Every Ice-O-Matic ice maker is backed by a warranty that provides both parts and labor coverage.

- Two years Parts and Labour

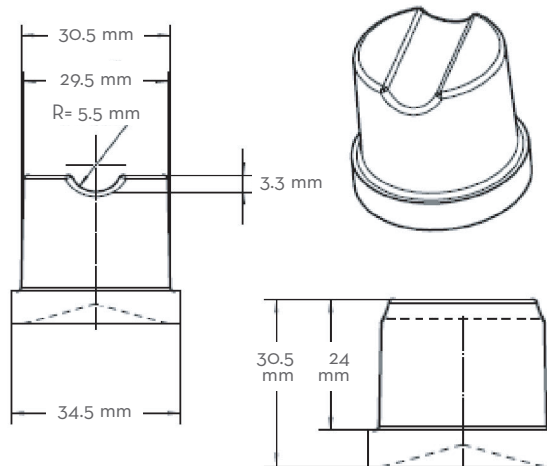
Ice Form



GOURMET ICE

GOURMET ICE DIMENSIONS

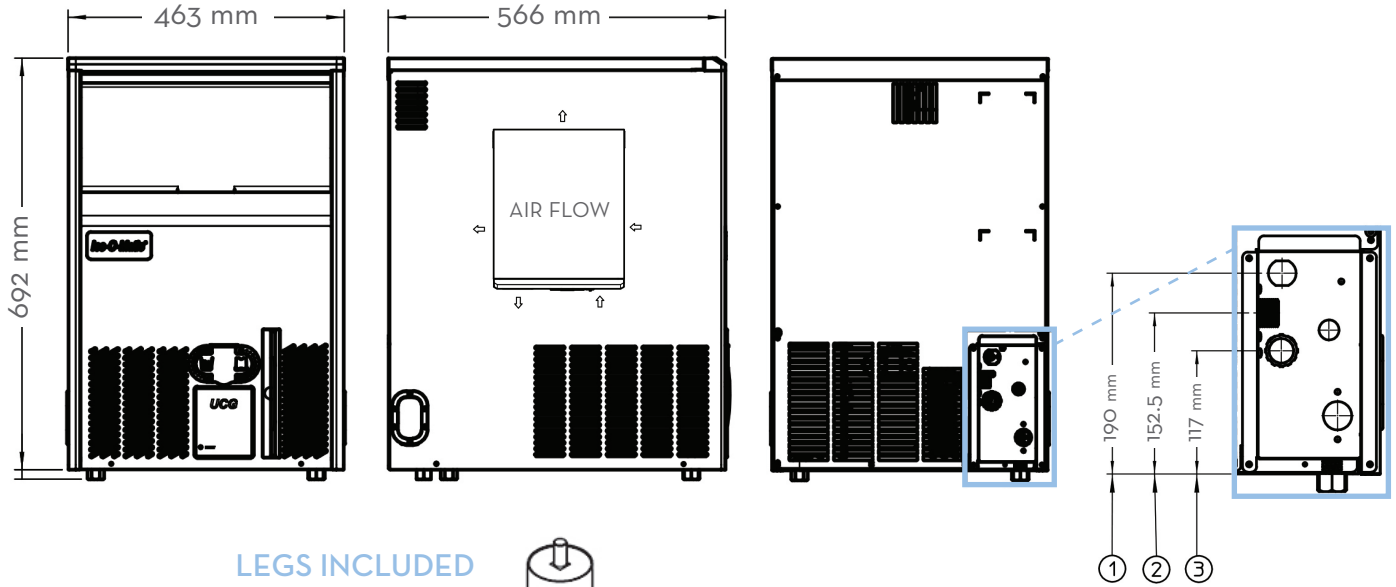
Height	30.5 mm (1.2 in.)
Diameter	34.25 mm (1.35 in.)



UCGO85A GOURMET SERIES UNDERCOUNTER



UCG085A GOURMET SERIES UNDERCOUNTER



LEGS INCLUDED
Do Not Extend - 15 mm



- 1 - Power Cord
- 2 - 19 mm Water Inlet
- 3 - 20 mm Water Drain

Operating Requirements

	MINIMUM	MAXIMUM
	50 Hz	
Ambient Temp. Range Air	10°C (50°F)	43°C (109°F)
Water Temp.	5°C (41°F)	38°C (100°F)
Water Pressure	1 BAR (14 PSI)	5 BAR (70 PSI)
Electrical Voltage	230V/50Hz/1ph	

Dimensions

ALL MODELS	
W x D x H (mm)	463 x 566 x 692
W x D x H (in.)	18 1/4 x 22 1/4 x 27 1/4

* Dimensions do not account for the included adjustable legs.

Specifications

Model Number	Cond. Unit	Ice Production per 24hrs			Storage Capacity (kg)	Water Consumption (litr/hr)	kWH Used per 45 kg of Ice @ 32°C air/ 21°C water	Voltage Characteristics
		10°C air/10°C water (kg)	21°C air/10°C water (kg)	32°C air/21°C water (kg)				
UCG085A	Air	40	38.5	31	15	5	9.7	230/50/1

NOTES:
 Approx. Shipping Weight (kg): UCG085A (37)
 Refrigerant Type: R134A

All specifications and performance data are subject to normal manufacturing variances.

Ice-O-Matic reserves the right to change the specifications at any time without obligation. Certifications may vary depending on country of origin.