

Microcook HD Series

Project _____
 Item _____
 Quantity _____
 CSI Section 11400 _____
 Approval _____
 Date _____

Models

- HD1425 HD1725 HD1925



Standard Features

- Model range includes 1425 Watts, 1725 Watts or 1925 Watts power output. (IEC 705 Rating)
- Ergonomic digital touch pad control and easy to clean interior cavity.
- Full access to the oven cavity with the space saving removable automatic 'pop-up' door.
- Fully programmable (up to 10 programs) including multi-stage programming (up to 3 stages per program) and x 2 and x 3 multi-portion facility.
- User friendly operation.
- Energy saving stand-by mode.

Options & Accessories

- MenuKey™

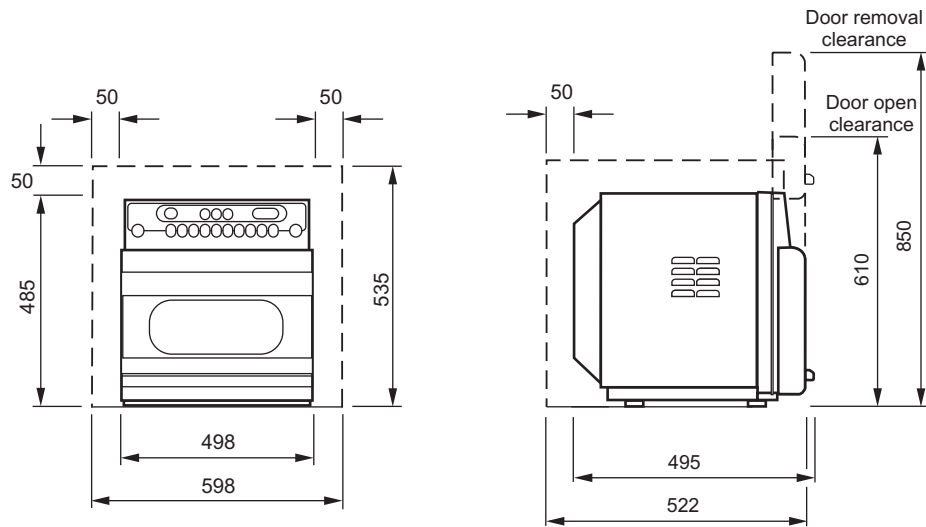
Specifications

Our most popular heavy duty Microcook microwave ovens, featuring the unique automatic 'pop-up' door, provide maximum durability, flexibility and efficiency.

Ideally suited for the busiest kitchen and the discerning restaurateur.

- In-built diagnostics – easy to use fault finding card.
- Vending model available.
- Menu Key option.
- Quality assured BS EN ISO 9001 accreditation.





Allow a minimum of 50mm clearance to sides, top and rear to allow air to circulate freely

All dimensions in mm

DIMENSIONS

MODEL NO.	OVERALL SIZE mm			NET WEIGHT
	HEIGHT	WIDTH	DEPTH	
HD1425 HD1725 HD1925	485mm	498mm	495mm	42.5kg Nett 45kg Gross

Capacity 28.5 litres

Internal Dimensions mm (HxWxD) 200 x 390 x 365

POWER REQUIREMENTS

Power input

HD 1425 2.60kW

HD 1725 2.88kW

HD 1925 3.12kW

ELECTRICAL SUPPLY

Country	Voltage/Freq.	Arrangement	Connections Used
UK	230-240V 50Hz	Single Phase	1P N & E
EU	220-230V 50Hz	Single Phase	1P N & E

Moulded 13 Amp plug BS 1363A (UK only)

For oven models suitable for a 60Hz electrical supply, please contact the sales office.

MICROWAVE POWER

Output 1425, 1725 or 1925 Watts (IEC705) @ 100%

Power Levels 100%, 50% & Defrost

Safety System Agency approved monitored interlock door system.

SAFETY FEATURES

Microwave safety interlocks on doors

Cavity overheat sensor

Automatic lock-out on invalid time setting

Magnetron overheat sensors

TECHNICAL SPECIFICATIONS

Magnetrons	Two
Safety interlocks	Three
Distribution system	Rotating Passive Antenna x2
Timer	Up to 9minutes 59seconds Up to 3x 9min 59secs with multi-stage programmes
Timer controls	Digital touch pad control
User interface	Built-in diagnostic messages Digital LED display of cooking time Easy-to-use pre-programmed operation 10 programs

CONSTRUCTION

Cavity: 304 Stainless Steel

Casework: 430 Stainless Steel

INSTALLATION INFORMATION

Away from major heat sources.

Place on a flat surface that is level, strong and stable.

Allow a minimum of 50mm clearance at the rear of the oven and to either side for air to circulate freely and at least 365mm above the front of the oven to enable the door to operate freely and to be removed for cleaning.

If circuit breakers are in use, ensure Type C units are fitted.

For further information on Merrychef products and services or advice on which machine suits you best please contact the Sales Office.



Station Road West,
Ash Vale, Aldershot
Hampshire GU12 5XA
United Kingdom

Tel: +44 (0)1252 371000
Fax: +44(0)1252 371007
E-mail: info@merrychef.com

www.merrychef.com
Datasheet Part No.
32Z3372 Issue 4
Printed in the UK ©Merrychef Ltd.

Enodis®