

Operating instructions  
Rotary ironer  
HM 16-80 D

---

To avoid the risk of accidents or damage to the appliance it is **essential** to read these instructions carefully before installing and using it for the first time.

en - GB

M.-Nr. 07 660 640

# Contents

---

<b>Guide to the appliance</b> . . . . .	4
<b>Warning and safety instructions</b> . . . . .	6
<b>Caring for the environment</b> . . . . .	9
<b>Moving the ironer</b> . . . . .	10
Safety . . . . .	10
<b>Moving the ironer</b> . . . . .	11
<b>Before using for the first time</b> . . . . .	12
<b>Before ironing</b> . . . . .	14
Preparation of the working area . . . . .	14
Preparing the laundry . . . . .	14
More advice on correct dampness . . . . .	14
Checking that the finger guard is functioning properly . . . . .	15
<b>Steam</b> . . . . .	16
Filling the water reservoir . . . . .	16
Emptying the water reservoir . . . . .	17
<b>Ironing</b> . . . . .	18
Switching on and off . . . . .	18
To select the temperature for ironing without steam . . . . .	18
To select the temperature for ironing with steam . . . . .	19
Switching the steam on and off . . . . .	19
To select the roller speed . . . . .	20
Feeding laundry in . . . . .	21
Removing the feed-in table . . . . .	21
Hanging bar . . . . .	21
After ironing . . . . .	22
Power cut . . . . .	23
<b>Ironing tips</b> . . . . .	24
Tea towels, hand towels, handkerchiefs, table napkins etc. . . . .	24
Table cloths . . . . .	24
Duvet covers . . . . .	25
Shirts . . . . .	25
Pressing trousers . . . . .	29
To press skirts . . . . .	29
<b>Maintenance and care</b> . . . . .	30
Cleaning the heater plate . . . . .	30
Cleaning the casing . . . . .	30
Cleaning the water reservoir . . . . .	30

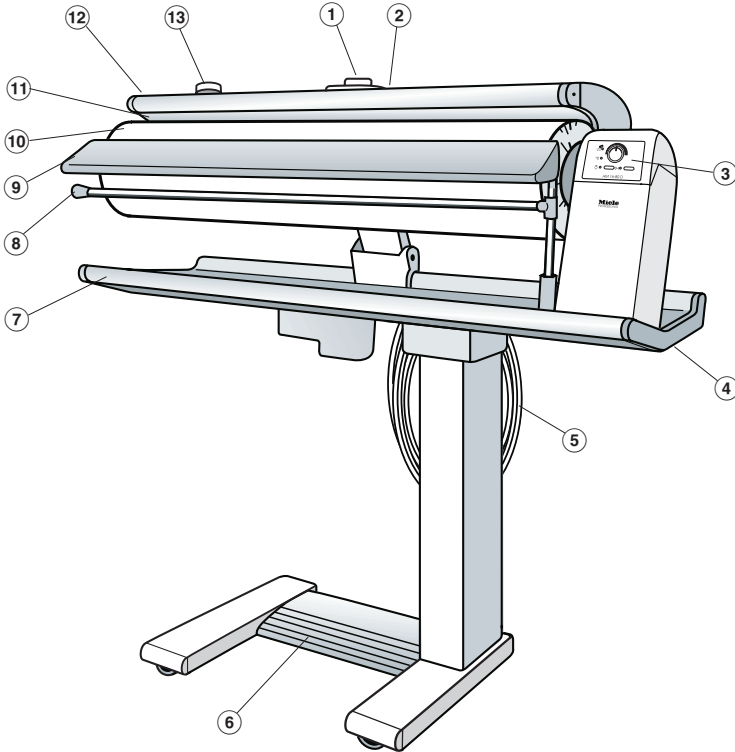
# Contents

---

Ironing cover . . . . .	31
Replacing the ironing cover . . . . .	31
<b>Problem solving guide</b> . . . . .	34
<b>After sales service</b> . . . . .	36
<b>Electrical connection</b> . . . . .	37
Electrical connection U.K. . . . .	37
<b>Technical data</b> . . . . .	38

# Guide to the appliance

---



① Temperature selector

② **Emergency release**

③ Control panel

④ Release catch

⑤ Mains connection cable

⑥ Foot pedal

⑦ Ironing table

⑧ Hanging bar

⑨ Feed-in table

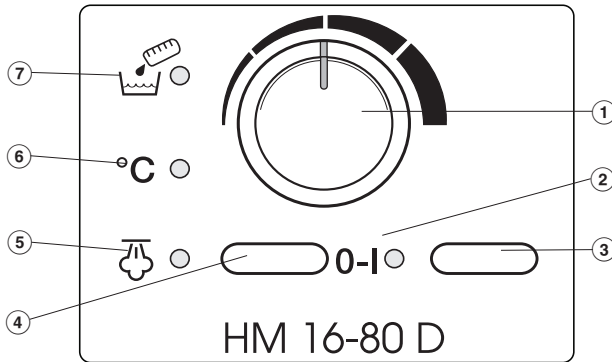
⑩ Roller

⑪ Heater plate

⑫ Finger guard

⑬ Water reservoir cap


## Control panel




① Roller speed selector


② "On-Off" **I-O** indicator light

③ "On-Off" button **I-O**

④  "Steam" button

⑤  "Steam" indicator light

⑥ **°C** "Temperature" indicator light

⑦  "Water reservoir empty" indicator light

# Warning and safety instructions

---

To avoid the risk of accidents and damage to the ironer please read these instructions carefully before using it for the first time. They contain important information on its safety, use and maintenance.

Keep these instructions in a safe place and ensure that new users are familiar with the content. Pass them on to any future owner.

## Correct application

- ▶ This ironer must only be used for ironing articles which were washed in water and which have a care label stating that the article is suitable for machine ironing.
- ▶ This ironer is not intended for use by persons (including children) with reduced physical, sensory or mental capabilities, or lack of experience or knowledge, unless they are supervised whilst using it or have been shown how to use it correctly by a person responsible for their safety.

## Technical and electrical safety

- ▶ Before setting up the ironer, check it for any externally visible damage. Under no circumstances should you use it if it has been damaged. A damaged appliance may be dangerous.
- ▶ If the supply cord is damaged, it must be replaced by a Miele approved service technician to avoid a hazard.
- ▶ Before connecting the ironer, ensure that the connection data on the data plate (fuse rating, voltage and connected load) match the mains electricity supply. If in any doubt, consult a qualified electrician.
- ▶ The electrical safety of this appliance can only be guaranteed when continuity is complete between it and an effective earthing system which complies with current local and national safety regulations. It is most important that this basic safety requirement is present and regularly tested, and where there is any doubt the household wiring system should be inspected by a qualified electrician. The manufacturer cannot be held liable for damage or injury caused by an inadequate earthing system (e.g. electric shock).
- ▶ Do not connect the ironer to the mains electricity supply by a multi-socket unit or an extension lead. These do not guarantee the required safety of the appliance (e.g. danger of overheating).

# Warning and safety instructions

---

▶ This ironer complies with all relevant local and national safety requirements. Unauthorised repairs could result in unforeseen dangers for the user, for which Miele cannot accept liability. Repairs should only be undertaken by a Miele approved service technician. Ensure current is not supplied to the ironer until after maintenance or repair work has been carried out.

▶ Faulty components must only be replaced by genuine Miele original parts. The manufacturer can only guarantee the safety of the appliance when Miele replacement parts are used.

▶ The ironer is only completely isolated from the electricity supply when:

- it is switched off at the wall socket and the plug is withdrawn, or
- it is switched off at the mains, or
- the screw-out fuse is removed (in countries where this is applicable).

▶ Do not damage, remove or bypass the safety features, fixtures and control elements of this appliance.

▶ Any removable outer panels must be back in place, and all moving or electrical parts shielded before it is switched on.

▶ This ironer may only be used in mobile installations such as ships if a risk assessment of the installation has been carried out by a suitably qualified engineer.

## Correct use

▶ When working with the ironer always wear close fitting clothes. Wide sleeves, apron straps, scarves and ties etc. could be taken in by the roller.

▶ Remove any rings, bracelets, or other jewellery before starting to work. Tie back long hair.

▶ When heated up there is an acute risk of burning:

- if the heater plate is touched,
- if the foot pedal is pressed down while fingers or hands are positioned between the raised heater plate and the roller.

▶ Do not unscrew the water reservoir cap whilst ironing with steam. Danger of scalding with hot steam.

▶ This ironer is not a toy! To avoid the risk of injury do not let children play on or near it, or with the controls. Supervise children whilst you are using it.

▶ Never use softened or distilled water in this ironer as this will cause pitting corrosion in the water reservoir.

▶ Do not drape laundry over the heater plate when it is heated up. This is a fire hazard.

▶ Use the swing out bar. It is designed for hanging laundry on. After use it should be swung back out of the way. Take care not to press down on the bar when it is swung out. There is a danger that this could tip the ironer over.

# Warning and safety instructions

---

- ▶ Switch the ironer off before removing the plug from the socket.
- ▶ Do not pull it by the cable.
- ▶ Do not lay the connection cable over the heater plate when it is heated up. This could damage the cable - danger of electric shock.  
Use the cable holders on the ironer to wind the cable away.
- ▶ Do not store the ironer in a room where there is a risk of frost occurring. Frozen water can cause damage to the water reservoir and steam hose.
- ▶ In countries where there are areas which may be subject to infestation by cockroaches or other vermin, pay particular attention to keeping the appliance and its surroundings in a clean condition at all times. Any damage which may be caused by cockroaches or other vermin will not be covered by the guarantee.

## Using accessories

- ▶ Accessory parts may only be fitted when expressly approved by Miele. If spare parts or accessories from other manufacturers are used, this will invalidate the guarantee, and Miele cannot accept liability.
- ▶ **The manufacturer cannot be held liable for damage caused by non-compliance with these Warning and Safety instructions.**



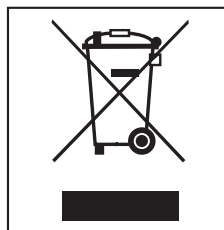
### Disposal of the packing material

The transport and protective packing has been selected from materials which are environmentally friendly for disposal and can normally be recycled. Rather than just throwing these materials away, please ensure they are recycled.

Ensure that any plastic wrappings, bags etc. are disposed of safely and kept out of the reach of babies and young children. Danger of suffocation!

### Disposal of your old appliance or machine

Electrical and electronic appliances / machines often contain materials which, if handled or disposed of incorrectly, could be potentially hazardous to human health and to the environment. They are, however, essential for the correct functioning of your appliance or machine. Please do not therefore dispose of it with your household waste.



Please dispose of it at your local community waste collection / recycling centre or contact your Dealer for advice. Ensure that it presents no danger to children while being stored for disposal.

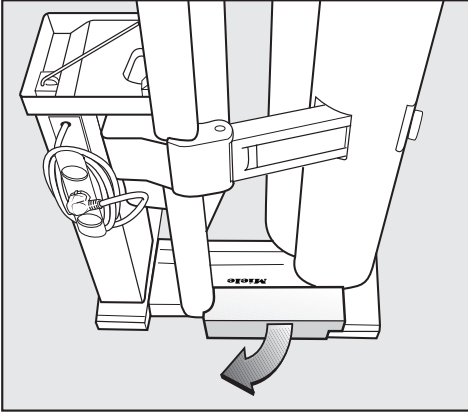
It should be unplugged or disconnected from the mains electricity supply by a competent person.

# Moving the ironer

---

## Safety

Do not remove the safety device until the ironer has been set up on its rollers.

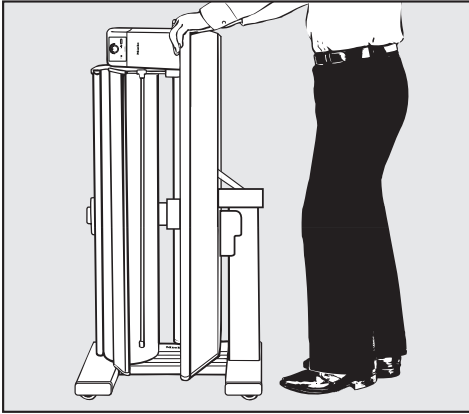


- To remove it simply pull it off.

Store it in a safe place for future use. It should be fitted to the ironer again before moving it (e.g. when moving house). Fold the ironer up before fitting it.

## Moving the ironer

The ironer is fitted with four rollers.

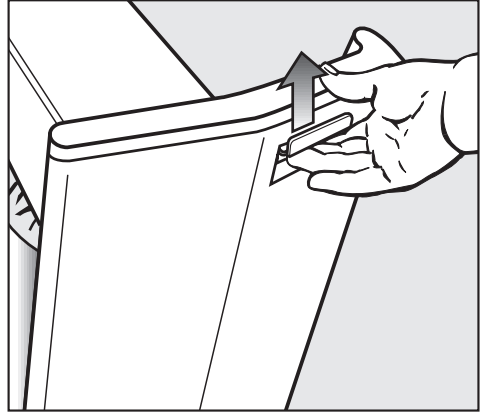


- Hold the ironer by the ironing table to push it or to pull it towards you.

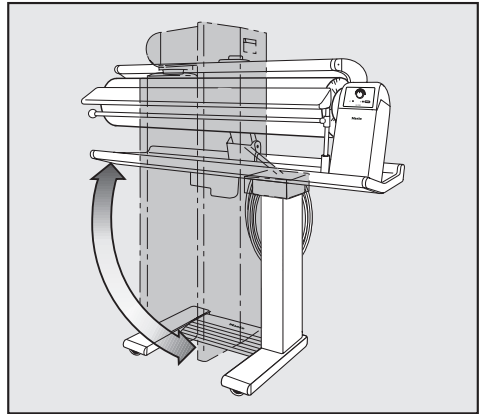
To overcome obstacles such as carpet edges and doorways, but also to steer it:

- Tilt it slightly.

The ironer can be moved either in the upright position or when folded up.



- Hold the ironing table securely and pull on the release catch situated at the back of the ironing table on the right hand side.

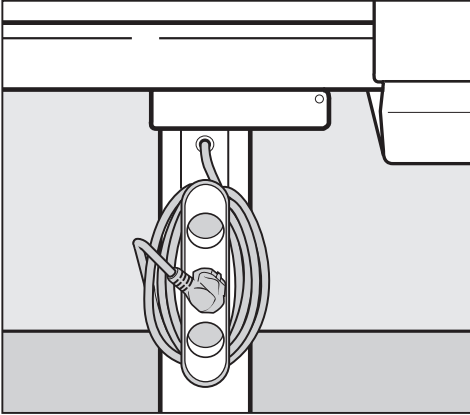


- Swing the top section of the ironer to the horizontal position for using it, or swing it down in the vertical position for storage. Then let go of the release catch.
- Before folding the ironer away or moving it, make sure the water reservoir cap is tightly secured to prevent spillages.

# Before using for the first time

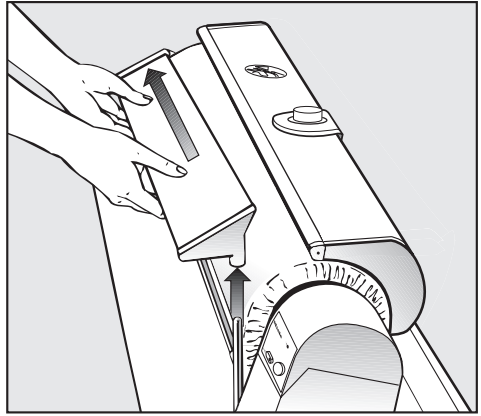
## Electrical connection

The mains connection cable is wound round a hook underneath the ironing table.



- Unwind the cable.  
Do not insert the plug into the electrical socket yet.

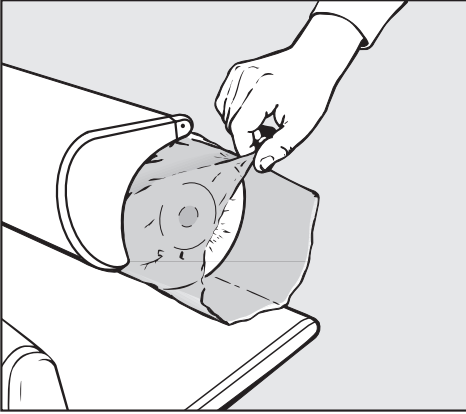
The dust cover which protects the roller during transit has to be removed. To remove the dust cover:



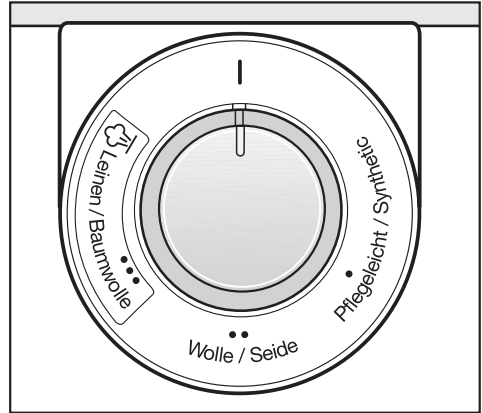
- First remove the feed-in table by lifting it out of the right hand holder, and then pulling it out to the left of the roller.

## Before using for the first time

Then insert the plug in the socket and switch the ironer on. The heater plate will rise automatically.



- The protective dust cover can now be pulled out and off.

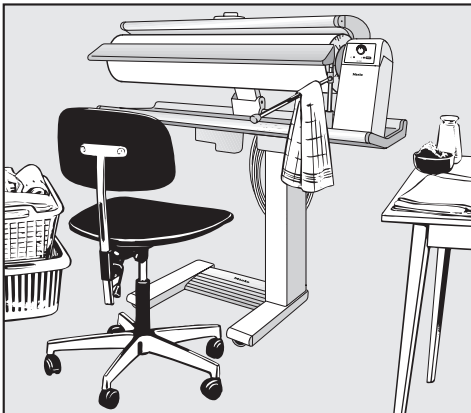


- An adhesive label for the temperature selector (see illustration) is supplied separately. Please stick this around the temperature selector.

# Before ironing

## Preparation of the working area

Make sure that the ironer is level and secure, and that it cannot roll sideways.



You will need a height adjustable chair and a flat surface for the ironed laundry.

Place close at hand:

- a basket with the laundry ready for ironing to the left of the rotary ironer,
- a surface for the ironed laundry to the right of the ironer.

Shirts, overalls and blouses etc., should be hung on coathangers immediately after ironing.

Small items can be hung over the swing out bar.

Keep a spray bottle of water handy for redampening laundry if necessary.

## Preparing the laundry

Correct preparation of the laundry is essential for successful ironing.

Before ironing the laundry should be:

- damped down
- pulled into shape and smoothed out
- sorted.

## Dampening down

The laundry needs to be sufficiently damp so that when it is passed just once through the rotary ironer at the correct temperature, it will come out smooth and dry. Dampen the laundry as you would for hand ironing, preferably several hours beforehand so that the articles achieve a uniform degree of dampness throughout.

If a tumble dryer is being used, select a "Machine iron" programme.

Use warm water if preparation time is short and also to redampen.

## More advice on correct dampness

Material	Dampness for ironing
Silk	Wrap in a damp cloth to avoid water marks
Synthetics e.g. dralon, nylon, polyester etc.	Slightly damp to dry
Wool (e.g. trousers)	Press under a damp cloth
Cottons	Slightly damp
Linen	Quite damp

### **Pulling into shape and smoothing out**

Pull damp laundry into shape as usual.

Smooth out ties, straps, seams and hems.

Large items such as table cloths, bed linen etc. should be folded lengthways into a number of pleats so that they can be ironed as easily as possible.

### **Sorting**

Sort the laundry according to how much heat is required for ironing.

First iron synthetic fibres such as nylon, polyester and artificial silk which only require a low temperature. Then iron silk, wool, cotton and linen at increasing temperatures.

Iron starched items last of all to avoid any starch deposits from affecting the finish of other items.

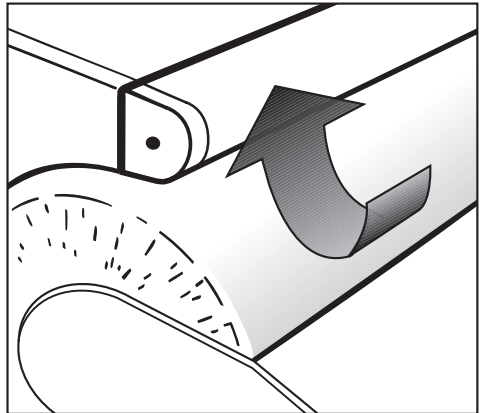
### **Before using the ironer for the first time:**

You may be able to see or feel a 2-3 mm high ridge along the roller. This will even itself out after about 3 hours of ironing, enabling the undercloth to settle. It has no effect on the ironing.

### **Checking that the finger guard is functioning properly.**

The finger guard is a safety feature and should always be checked before using the ironer.

- With the ironer switched on, press the foot pedal right down. The heater plate will lower itself onto the rotating roller.



- If you now lift the finger guard, the roller will stop rotating and the heater plate will rise up.
- Let go of the finger guard and take your foot off the foot pedal.
- Press the foot pedal right down again. The heater plate will lower itself onto the rotating roller.

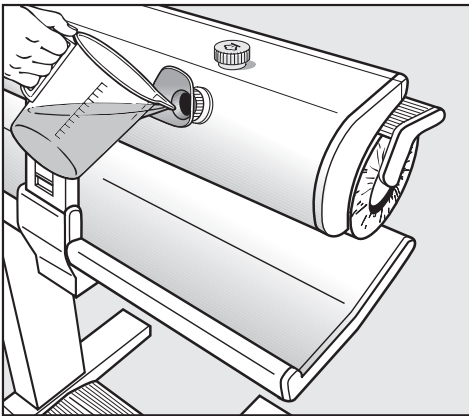
# Steam

The ironer can be used with steam for ironing dry or slightly damp laundry.

## Ironing with and without steam


If your laundry is sufficiently damp for ironing, you can iron without using the steam function. Use steam for ironing dry laundry, or laundry that is only very slightly damp.

## Filling the water reservoir




- Before switching on, fill the water reservoir with tap water (approx. 0.8 litres) with the ironer set up in the working position. Do not use proprietary bottled ironing or de-ionised water.
- To make it easier, use the screw-on funnel.



If the water hardness level in your area exceeds 3 mmol/l (300 mg/l or 17°dH) it is advisable to mix the tap water with distilled water in a ratio of 1:1.

 Never use softened or distilled water in this ironer as this will cause pitting corrosion in the water reservoir.

Fill the reservoir to the lower edge of the neck with tap water. Do not fill it any higher.

- Replace the cap making sure it is securely tightened. If it is not secure, there is a danger of water leaking out of the reservoir when the ironer is folded up again.

If the  "Water reservoir empty" indicator lights up red during ironing, the water reservoir can be refilled with tap water.

If the water reservoir is not filled while the steam setting is activated, the  "Steam" and  "Water reservoir empty" will flash alternately every few minutes.

Danger of burning! Take care. To prevent the risk of scalding yourself with hot steam do not open the cap fully. It can be opened very slightly to release the steam.

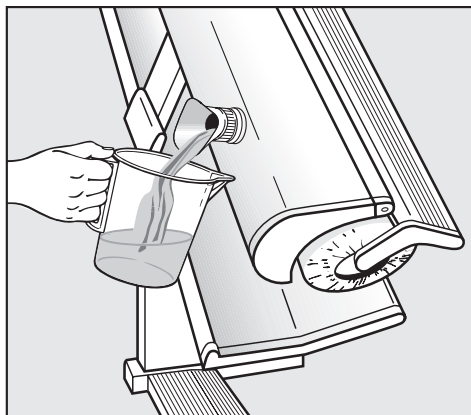
- Wait until all the steam has escaped before opening the cap and filling the reservoir with water.



There may still be residual water in the reservoir. The amount will depend on the water hardness level and the amount of limescale present.


One reservoir is sufficient for approx. 40 minutes of ironing with steam. It takes approx. 4 minutes for the water to heat up to the correct temperature for steam ironing. The heating-up time may change as a result of limescale building up in the reservoir.

- It is advisable to switch off the steam function during an interruption to ironing and at the end of ironing.



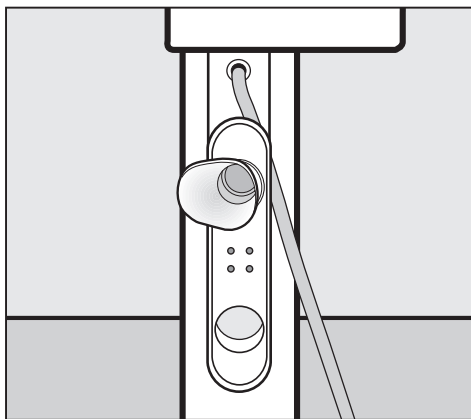
- Slowly fold the ironer up and at the same time hold a suitable container (e.g. a measuring jug) underneath the reservoir to catch the water.
- When all the water has run out, replace the cap.

## Emptying the water reservoir

 Before emptying the reservoir make sure that the water in it has cooled down and that the heater plate has cooled down.

The reservoir should be emptied after each use to avoid damage from deposits present in the water (e.g. chlorine, calcium or copper).

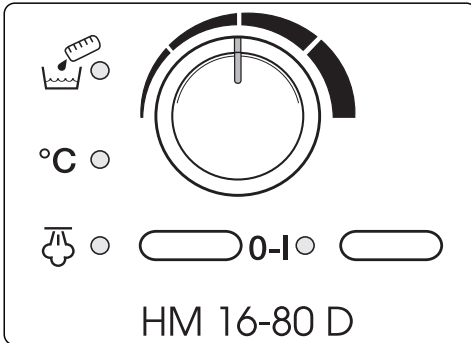
- Unscrew the water reservoir cap.
- To make it easier, use the screw-on funnel.



- The screw-on funnel can be stored on the cable holder when not in use.

# Ironing

## Switching on and off



The **I-O** "On-Off" button is used for switching the ironer on and off.

### To switch on

- Press the **I-O** button in.
- The indicator light beside the button will come on.

### To switch off

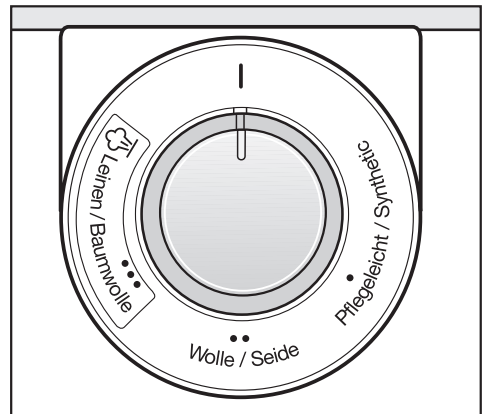
- Press and release the **I-O** button.
- The indicator light beside the button will go out.

### To select the temperature for ironing without steam

The temperature selector is used for setting the ironing temperature.

The temperature settings are indicated by dots around the selector. These dots correspond to the international symbols for ironing.

Material	Dot symbol	Temperature range
Minimum iron/ Synthetics	●	Low temperature
Woollens/ Silks	●●	Medium temperature
Linen/ Cottons	●●●	High temperature
	I	40 -60°C



- Turn the temperature selector to the temperature you wish to use.
- The **°C** "Temperature" indicator light will come on whilst the heater plate is heating up. It will go out when the required temperature has been reached.

With mixed fibre textiles the temperature should be set to suit the most heat sensitive fibre in the fabric. For example an item made from poly-cotton should be ironed using the ●● Woollens/Silks setting and not the one for Cottons.


## To select the temperature for ironing with steam

- Turn the temperature selector to ●●● Linen/Cottons (high temperature).


Settings ● and ●● are not hot enough for ironing with steam.



## Switching the steam on and off



Set the temperature to ●●●, before selecting steam.

The  "Steam" button is used for switching steam on and off.


## To switch on

- Press the  button in
  - once the required temperature has been reached in the heater plate the indicator light next to the button will come on.

If the water reservoir becomes empty during operation, the  "Steam" indicator light will go out and the  "Water reservoir empty" indicator will light up red.

If the water reservoir is not filled while the steam setting is activated, the  "Steam" and  "Water reservoir empty" will flash alternately every few minutes.

## To switch off

- Press and release the  button
  - the indicator light next to the button will go out.

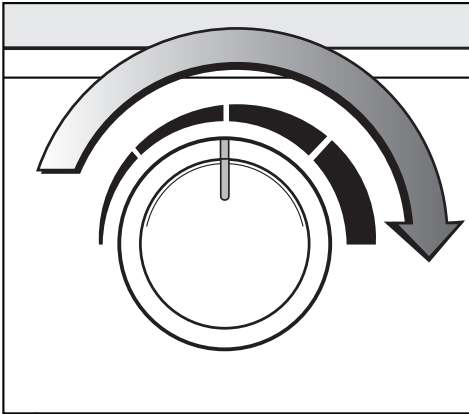
# Ironing

## To select the roller speed

There are 5 roller speed settings, from low (approx. 2 m/min) to high (approx. 4.5 m/min).

A low speed makes it easier to iron complicated articles such as shirts and blouses. A lower speed should also be selected for folded items. Reducing the speed will enable them to get dry and smooth in just one or two passes through the ironer.

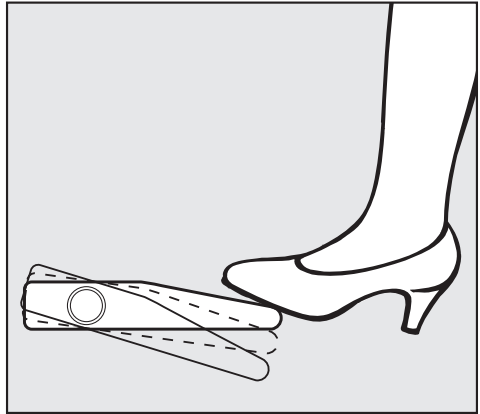
Thinner, single thickness items, e.g. tea towels can be ironed at a higher speed.



- Set the roller speed selector to the speed you require.

## Ironing


The ironing process is controlled by the foot pedal which has three positions:



- raised (rest position)
- pressing
- ironing

## To iron:

- Press the foot pedal right down.

 Do not reach between the heater plate and the rotating roller. Danger of burning and squashing your fingers.

## To press:

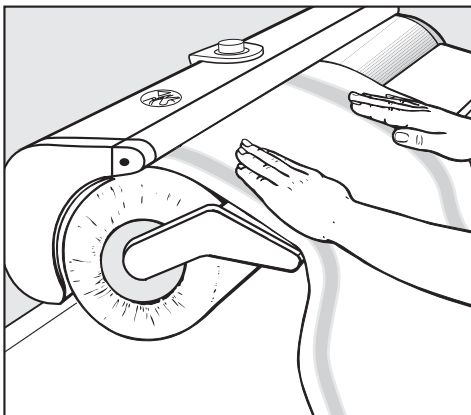
- Press the foot pedal right down; then raise your foot slightly. The roller will stop turning and the heater plate will remain in contact with the laundry.

## To raise the heater plate:

- Take your foot off the pedal.

## Feeding laundry in

- Arrange laundry along the feed-in table so that it is straight and smooth.



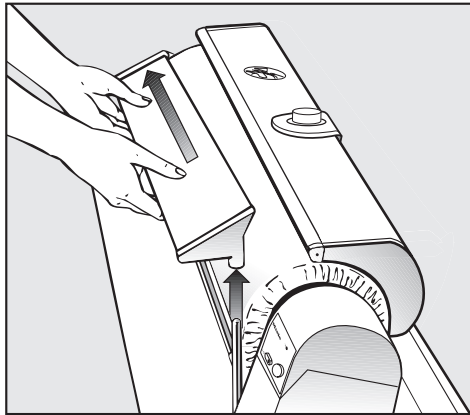
- Then carefully turn the roller by hand until the laundry makes contact with the heater plate (keep your fingers away from the heater plate).

Then:

- Press the foot pedal down.

## Removing the feed-in table


The feed-in table can be removed when ironing shaped garments, e.g. skirts.



- First lift it out of the right hand holder, and then pull it out to the left of the roller.

## Hanging bar

Ironed laundry can be hung over the swing out bar to avoid creasing.

 Take care not to press down on the bar when it is swung out. There is a danger that this could tip the ironer over.

# Ironing

---

## Useful tips

If creases appear on items being ironed:

Stop the roller and pull the item back slightly. Smooth it out and if necessary dampen it with a wet cloth.

Try to use the full width of the roller to help the roller cover maintain its shape.

For small items, e.g. handkerchiefs, alternate between using the right and left hand sides of the roller.


Items with raised buttons should be ironed face down on to the roller so that they are pressed into the cushioned surface.

A cloth should be placed over zips, metal buttons and hooks to protect the heater plate during ironing.

To protect the heater plate do not iron very bulky or heat-sensitive buttons.

When you have nearly finished ironing, you can set the temperature selector to **I** and continue ironing small items at a low temperature.

## After ironing

- Switch the ironer off.
- Switch off  "Steam".
- Set the temperature selector to **I**.
- Disconnect the appliance from the electricity supply by switching off at the socket and withdrawing the plug.

## If the ironer is to be put away:

- Allow the heater plate to cool down.
- Empty the water reservoir.
- Fold the rotary ironer up.
- Wind up the mains cable.
- Cover the ironer.

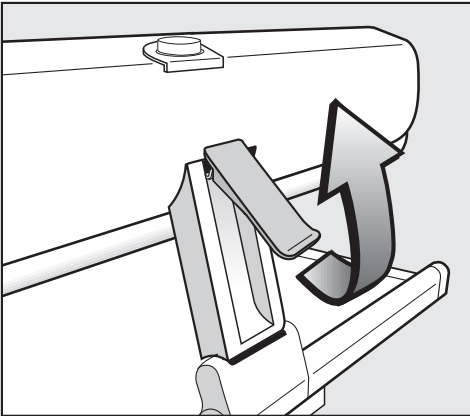
Do not store the ironer in a room where there is a risk of frost occurring. Frozen water can cause damage to the water reservoir and steam hose.

## Power cut

### **In the event of a power cut activate the emergency release.**

If there is a power cut whilst you are ironing the heater plate will stay in contact with the roller. This traps the laundry with the danger of it singeing.

To free the laundry:



- Pull the emergency release catch upwards.
  - This releases the pressure enabling the laundry to be pulled forwards towards you, or downwards off the roller, depending on how far through the ironer it had passed.

When power is restored (the On-Off indicator light will come on) press the emergency release catch back down. You can now continue ironing.

# Ironing tips

The following tips are intended as helpful suggestions to get you started. With practice you will probably find alternative ways of ironing which suit your style of working.

## Tea towels, hand towels, handkerchiefs, table napkins etc.

Place on the ironing table with the straight grain of the fabric to the feed board. This will prevent the item going out of shape and it will be easier to fold.

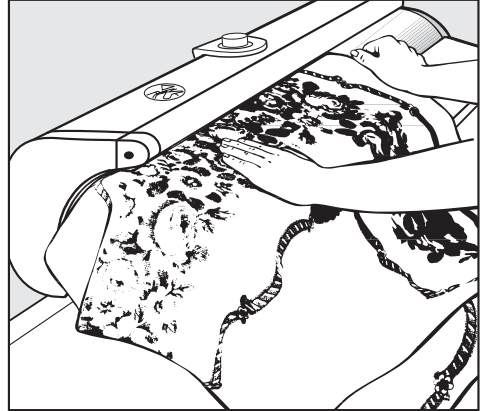
Handkerchiefs and table napkins can be fed into the ironer horizontally and then folded and ironed again if wished. Use the full width of the roller.

## Table cloths

To avoid creases iron the middle section first.



- Place the table cloth across the roller with the ends hanging off either end.
- Then fold in half.



- Then pass both sides of the un-ironed sections through the ironer.

Leave the ironed middle section hanging over the left hand side of the roller to prevent creases.

- After folding, table cloths can be passed through the ironer again if wished.

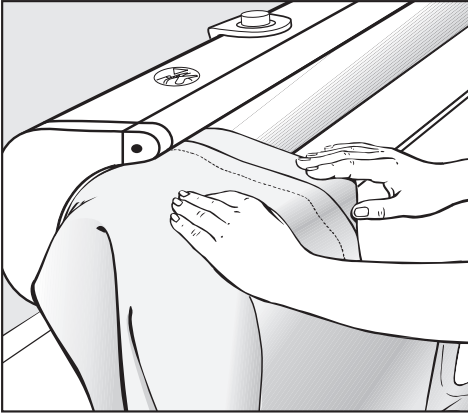
## Sheets

Sheets can be ironed in the same way as table cloths, or if a lengthwise fold is acceptable they can be folded and ironed.

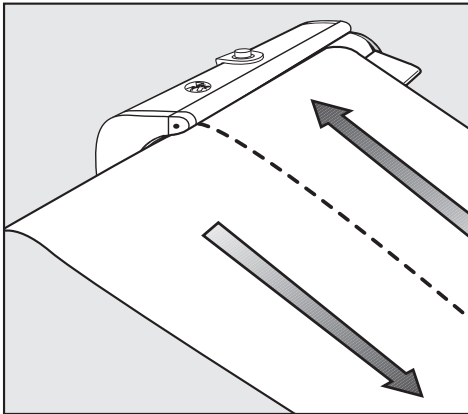
Embroidered sections and raised patterns on linen should be ironed on the right side first and then from the reverse.



## Duvet covers



- First do up poppers and buttons. Feed this end through the left hand side of the ironer first. Buttons should face into the roller.



- Iron duvets in two runs lengthwise.

## Pillow cases

- First do up poppers and buttons and feed this end through the ironer first. Then iron the whole pillow case from both sides.

## Shirts

Remove the feed-in table for ironing shirts.

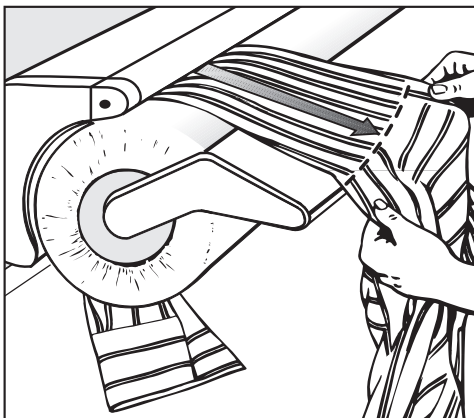
Iron in the following order:

- Sleeves and cuffs
- Back
- Front sections
- Collar

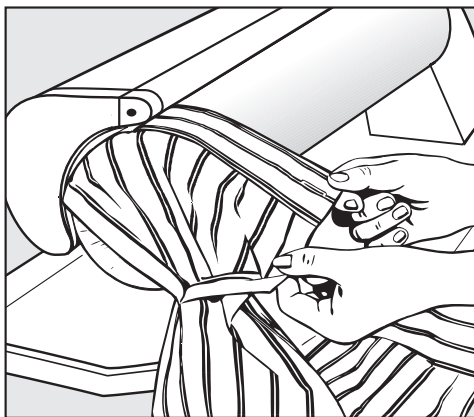
# Ironing tips

## Sleeves and cuffs

- Pull sleeves smooth ready for ironing. Do not iron the cuff yet.



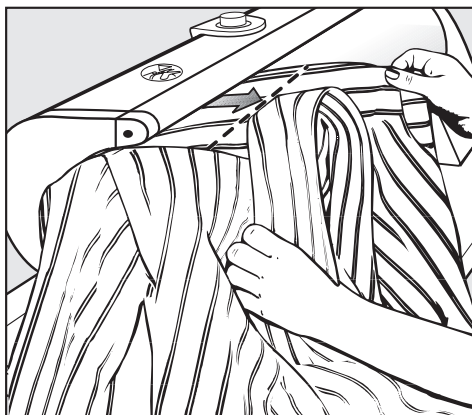
- Iron the sleeves from the cuff seam to the underarm seam.



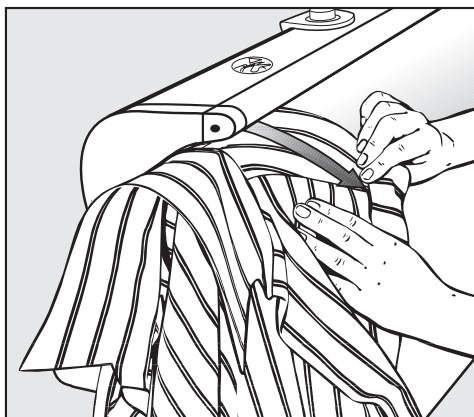
- Iron both sides of each sleeve. Double cuffs should be folded (button hole to button hole) and ironed.

## Back/shoulder yoke

Shirts with a shoulder yoke:



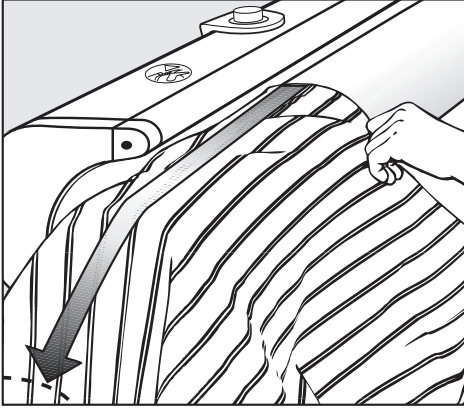
- Fold the yoke along the back seam.
- Place the shirt side on to the roller and iron from the left shoulder seam to the collar.



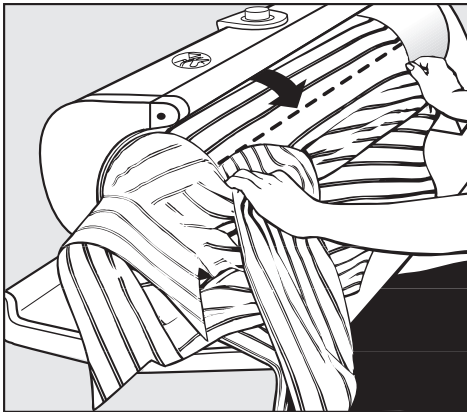
- Then turn the shirt inside out and iron from the collar to the right shoulder seam.

## Back

Iron the back in two sections, from the middle to the side seams.



- Pull the shirt over the roller as far as the yoke seam - or to the collar seam on shirts without a yoke - and smooth it out.



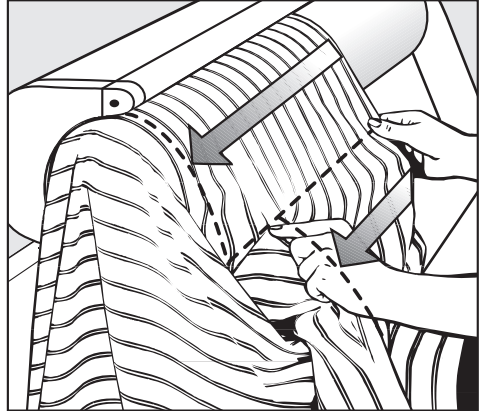
- Iron from the middle of the back to the armhole seam. Then iron the rest of the back as far as the side seam together with the front section.

Iron the second part of the back as the first section, but with the shirt inside out.

## Front sections

The fronts are ironed in one pass together with the lower section of the back up to the armhole seam.

- Start with the front left.

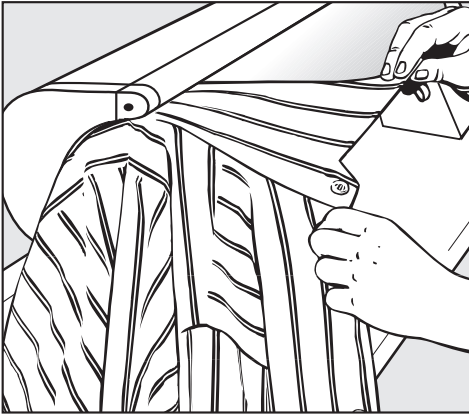


- Smooth the shirt out and then iron from the armhole to the collar.
- Turn the shirt inside out to iron the other side.

# Ironing tips

---

## Collar



Iron the collar from both sides. Do not iron any buttons.

- Turn the collar and press if wished.

## Nightdresses

Iron sleeves, yokes and back on a nightdress as you would a shirt.

To iron the front:

- Pull the nightdress over the roller leaving the sleeves and bodice hanging over the left hand side of the roller.
- Iron starting from the left hand side seam and finishing at the right hand side seam. Then adjust the bodice section on the roller to iron it.
- If there is a collar follow the instructions for ironing shirts.

## Pyjamas

Pyjamas tops should be ironed following instructions for shirts. Iron trouser legs on pyjamas separately.

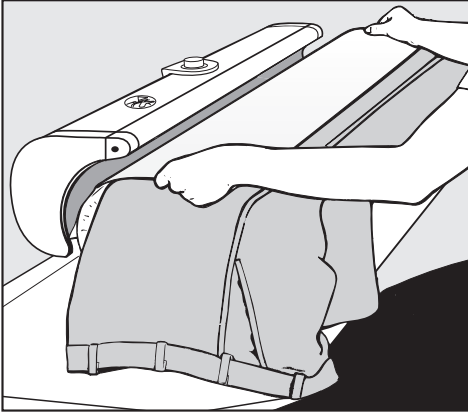
- Iron one leg from the front and the other from the back.
- Iron from the top to the bottom.
- Then pull into shape and iron to the waist. Pull the elasticated section tight.

## Aprons

- Iron any straps as far as the apron first.
- Then iron either to the waistband or across the apron. Leave the bib hanging over the left hand side of the roller.

## Pressing trousers

- Press each leg separately. Let the top of the trousers hang over the edge of the roller.



- Cover with a damp cloth and turn the roller by hand until the trouser leg is covered by the heater plate.
- Press to iron, then do the same to the other trouser leg.


## To press skirts

Remove the feed-in table.

- Pull the skirt over the free end of the roller as far as the waistband.
- Cover with a damp cloth.
- Iron one section at a time.

## Maintenance and care

---

 Disconnect the ironer from the electricity supply by switching off at the wall socket and withdrawing the plug before any cleaning and maintenance work.

### Cleaning the heater plate

Limescale deposits and starch residues can be removed from the heater plate using a suitable proprietary cleaning agent. Make sure that the ironer is cold before cleaning it. It will be easier to clean if you pull up the emergency release catch.

Do not use any abrasive cleaning agents.

### Cleaning the casing


Depending on how dirty it is, the casing can be wiped down with a dry or a damp cloth.

Do not use any abrasive cleaning agents.

### Cleaning the water reservoir

Limescale deposits in the water reservoir, caused by hard water, can cause the steam jets to become blocked. Should this happen, the limescale deposits can be removed by rinsing out the water reservoir with fresh tap water.

- Disconnect the appliance from the electricity supply by switching off at the socket and withdrawing the plug.

 Allow the ironer to cool down before rinsing out the reservoir.

Depending on the hardness level of your water supply, the reservoir will need to be rinsed out with tap water after every 3 to 10 fills of the reservoir.

Stubborn limescale deposits can be removed with a proprietary descaling agent.

Make sure that you follow the manufacturer's instructions on dosage, concentration and how long it should be used for.

- Fill the water reservoir approximately half full (0.4 litres) with a solution of descaling agent and **replace the cap**.
- Roll the ironer backwards and forwards several times.
- To prevent the risk of damaging laundry when next ironing with steam, the reservoir should be rinsed out twice with fresh tap water after descaling it.

For instructions on filling and emptying the reservoir see "Steam".


## Ironing cover

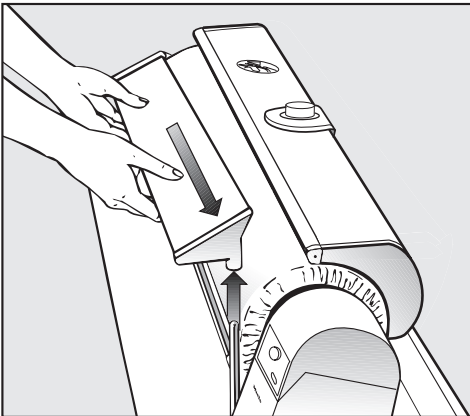
The ironing cover is made from aramid needle cloth with 2% stainless steel fibre content.

It is normal for the ironing cover to become slightly brown with use. If, however, the cover begins to look very unsightly, it can be replaced easily.

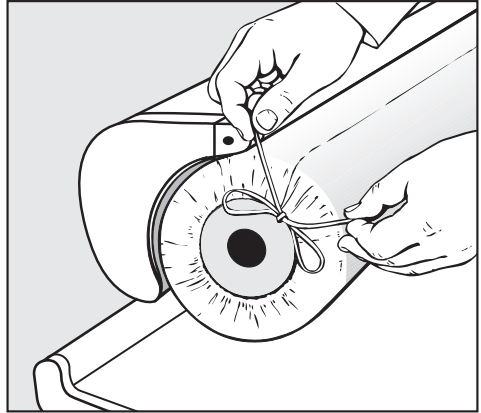
Replacement ironing covers are available from your Miele dealer or the Miele Spare Parts Department.

## Replacing the ironing cover

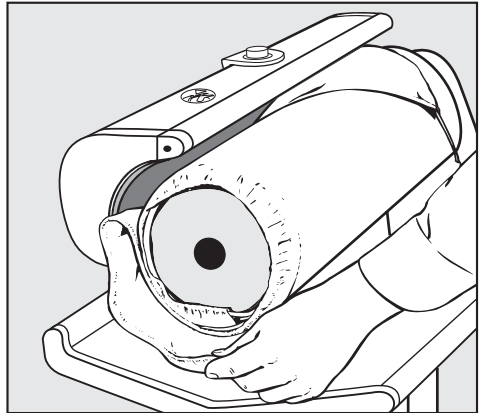
 The ironing cover should only be changed when the appliance is cold.



- Remove the feed-in table as described in the section "Ironing".

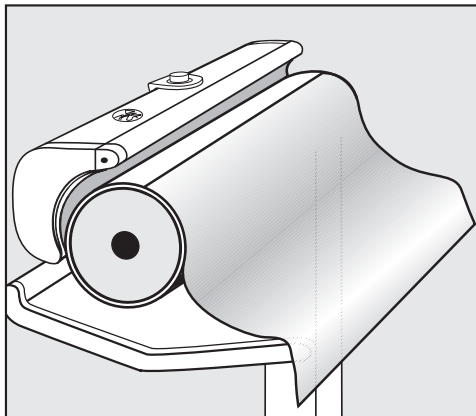


- Undo the cords at each end of the roller cover.

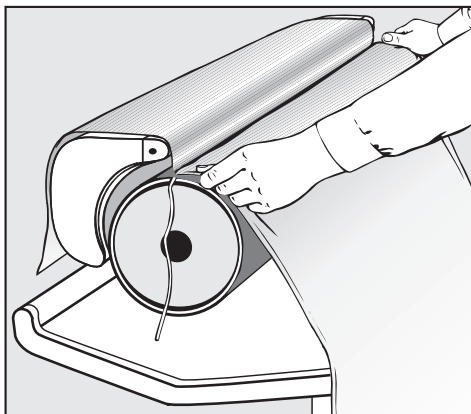


- Unwind the cover.

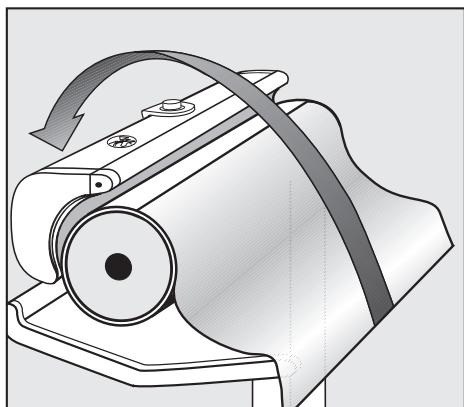
## Maintenance and care



- Completely unwind the cotton undercloth attached to the roller and let it hang down smoothly.

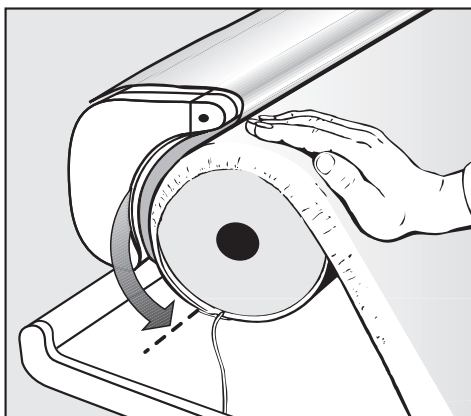


- Insert the raw edge of the new ironing cloth into the retaining slot with the wrong side down. Keep side ties hanging free and smooth out.



- Take hold of the cloth by each side edge and keeping it taut place over the heater plate.

**The slot which holds the cotton undercloth is now at the top.**

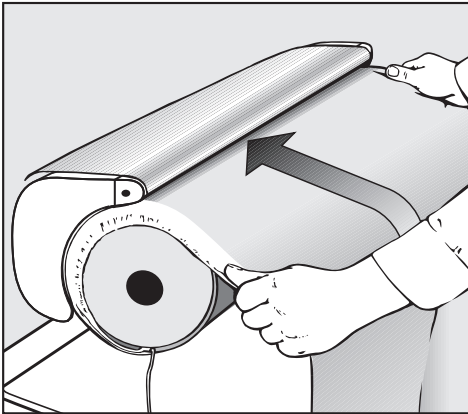


- Turn the roller by hand in the direction you (see arrow) until the cover retaining slot is at the bottom.



- Switch the ironer on.

When the ironer is switched on, the heater plate heats up immediately. The temperature selector **must** be turned to the **I** setting.

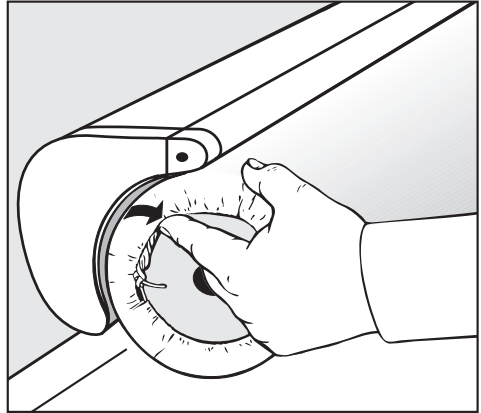


- Press the foot pedal and "iron" the cloth into position.

Do not let the cords get under the cloth as it turns.

After the roller has gone through three or four revolutions and the end of the ironing cover is under the heater plate:

- Switch off the ironer while keeping the foot pedal pressed down. The ironing cover is held firmly in place by the heater plate which is still lowered.




- Tighten the cords at the left and right hand sides of the roller, tie together and tuck in.
- Put the feed-in table back in place.
- Switch the ironer on – the heater plate will rise up.

## Problem solving guide

---




With the help of the following notes, minor faults in the performance of this appliance, some of which may result from incorrect operation, can be put right without contacting the Service Department.

You should, however, note the following:

 Repair work to electrical appliances should only be carried out by a suitably qualified person in strict accordance with current local and national safety regulations. Repairs and other work by unqualified persons could be dangerous. The manufacturer cannot be held liable for unauthorised work.

<b>Problem</b>	<b>Possible cause</b>	<b>Remedy</b>
<b>The ironer will not work.</b>	There is no power to the appliance.	Check whether - the mains plug is plugged in and switched on. - the fuse or circuit breaker has tripped.
<b>Laundry does not pass smoothly through the roller.</b>	The roller cover is dirty.	Wash the cover at 60°C.
<b>Laundry does not pass smoothly through the roller.</b>	There are calcium deposits (from hard water) or starch residues on the heater plate.	Remove these with household washing-up liquid or a suitable proprietary cleaning agent.
<b>Folds have formed in the roller cover.</b>	The heater plate is dirty (calcium deposits).	Clean the heater plate with household washing-up liquid or a suitable proprietary cleaning agent.
<b>The ironer cover is very dirty.</b>	Starch deposits etc.	Wash the cover at 60°C.
<b>The heater plate has no contact pressure.</b>	The emergency release catch has been pulled up.	Push the emergency release catch down (see also "Power cut").

## Problem solving guide

Problem	Possible cause	Remedy
<b>There is no steam.</b> The  "Steam" indicator light goes out during ironing.	The required temperature for steam has not been reached.	Turn the temperature selector to ●●● and wait until the indicator light comes on.
<b>There is no steam.</b> The  "Steam" indicator light goes out during ironing and the  "Water reservoir empty" lights up red.	The water reservoir is empty.	Fill the water reservoir.
<b>The steam jets are spitting.</b>	Pure tap water has not been used.	Empty and rinse out the water reservoir and then fill it with tap water, see "Maintenance and care".
<b>Not enough steam is coming out of the steam jets.</b>	There are calcium deposits from hard water in the water reservoir.	Remove these deposits by rinsing the water container with tap water, see "Maintenance and care".

# After sales service


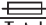


---

## Repairs

In the event of any faults which you cannot remedy yourself please contact

- Your Miele dealer or
- the Miele Service Department (see back cover for contact details).

When contacting Miele, please quote the Model and Serial number of your appliance, both of which are given on the data plate which is located at the front underneath the ironing table.

IBN	Typ	①
	Fabr.Nr.	②
	Art.Nr.	
	M.-Nr.	
		③
		
		④
	Total	⑤
		
		

- ① Model
- ② Serial number
- ③ Voltage/Frequency
- ④ Fuse rating (on-site)
- ⑤ Connected load

The wiring diagram is located at the front right hand side of the ironing table behind the plastic cover.

N.B. A call-out charge will be applied for unnecessary service visits where the problem could have been rectified as described in this instruction manual.

## Electrical connection U.K.

All electrical work should be carried out by a suitably qualified and competent person, in strict accordance with current national and local safety regulations (BS 7671 in the UK).

Ensure power is not supplied to the appliance until after installation work has been carried out.

The appliance is supplied with a mains cable with moulded plug ready for connection to a 220-240V mains supply.

Please ensure the connection data quoted on the data plate match the household mains supply.

Connection should be made via a suitable switched socket which is easily accessible after installation.

For extra safety it is advisable to protect the appliance with a suitable residual current device (RCD). Contact a qualified electrician for advice.

Do not connect via an extension lead. Extension leads do not guarantee the required safety of the appliance (e.g. danger of overheating).

## Non-rewireable plugs BS 1363

The fuse cover must be refitted when changing the fuse, and if the fuse cover is lost, the plug must not be used until a suitable replacement is obtained. The colour of the correct replacement cover is that of the coloured insert in the base of the plug, or the colour that is embossed in words on the base of the plug (as applicable to the design of plug fitted).

Replacement fuses should be ASTA approved to BS 1362 and have the correct rating. Replacement fuses and fuse covers may be purchased from your local electrical supplier.

## **WARNING: THIS APPLIANCE MUST BE EARTHED**

## Technical data

---

Height	95.9 (folded up 105.2) cm
Width	98.5 (folded up 50) cm
Depth	38.0 cm
Weight	39 kg
max. load	382 Newton
Water reservoir capacity	0.8 litres
Voltage	see data plate
Rated load	see data plate
Fuse rating	see data plate
Test certificates awarded	Radio/TV suppressed, VDE



# Miele

## United Kingdom

Miele Co. Ltd.  
Fairacres, Marcham Road  
Abingdon, Oxon, OX14 1TW  
Tel: (01235) 554455  
Fax: (01235) 554477  
Customer Contact Centre Tel: (08707) 554466  
E-mail: [info@miele.co.uk](mailto:info@miele.co.uk)  
Internet: [www.miele.co.uk](http://www.miele.co.uk)

## Australia

Miele Australia Pty. Ltd.  
ABN 96 005 635 398  
1 Gilbert Park Drive, Knoxfield, VIC 3180  
Tel: (03) 9764 7130, Fax: (03) 9764 7149  
Internet: [www.miele.com.au](http://www.miele.com.au)

## China

Miele Shanghai  
Suite 4105-06, Plaza 66  
1266 Nanjing Road West  
Jing An District  
Shanghai 200040, PRC  
Tel: +86 21 6288 4200, Fax: +86 21 6288 4100  
E-mail: [mieleshanghai@cn.miele.com](mailto:mieleshanghai@cn.miele.com)  
Internet: [www.miele.cn](http://www.miele.cn)

## Hong Kong

Miele (Hong Kong) Limited  
AIA Plaza, 24<sup>th</sup> Floor  
18 Hysan Avenue  
Causeway Bay  
Tel: +852- 2610-1331, Fax: +852-2610-1013  
E-mail: [mielehk@miele.com.hk](mailto:mielehk@miele.com.hk)  
Internet: [www.miele.hk](http://www.miele.hk)

## India

Miele Appliances India Pvt. Ltd.  
Ground Floor, Copia Corporate Suites  
Plot No. 9, Jasola  
New Delhi – 110025  
Tel: 011-46 900 000, Fax: 011-46 900 001  
E-mail: [customercare@miele.in](mailto:customercare@miele.in)  
Internet: [www.miele.in](http://www.miele.in)

## Ireland

Miele Ireland Ltd.  
Broomhill Road, Tallaght, Dublin 24  
Tel: (01) 461 0710, Fax: (01) 461 07 97  
E-Mail: [info@miele.ie](mailto:info@miele.ie)  
Internet: [www.miele.ie](http://www.miele.ie)

## New Zealand

Miele New Zealand Limited  
Unit L, 10-20 Sylvia Park Road  
Mt. Wellington, 1060, Auckland, NZ  
Tel: 0800 264 353, Fax: 0800 463 453  
Internet: [www.miele.co.nz](http://www.miele.co.nz)

## Singapore

Miele Southeast Asia  
Miele Pte. Ltd.  
163 Penang Road  
# 04 - 02/03 Winsland House II  
Singapore 238463  
Tel: +65 6735 1191, Fax: +65 6735 1161  
E-Mail: [infosea@miele.com.sg](mailto:infosea@miele.com.sg)  
Internet: [www.miele.sg](http://www.miele.sg)

## South Africa

Miele (Pty) Ltd  
63 Peter Place, Bryanston 2194  
P.O. Box 69434, Bryanston 2021  
Tel: +27 (0) 11 548-1900  
Fax: +27 (0) 11 548-1935  
E-mail: [info@miele.co.za](mailto:info@miele.co.za)  
Internet: [www.miele.co.za](http://www.miele.co.za)

## United Arab Emirates

Miele Appliances Ltd.  
P.O. Box 11 47 82  
Gold & Diamond Park  
Sheikh Zayed Road  
Building 6 / Offices Nos. 6-214 to 6-220  
Dubai  
Tel: +971-4-341 84 44  
Fax: +971-4-341 88 52  
E-Mail: [info@miele.ae](mailto:info@miele.ae)  
Internet: [www.miele.ae](http://www.miele.ae)