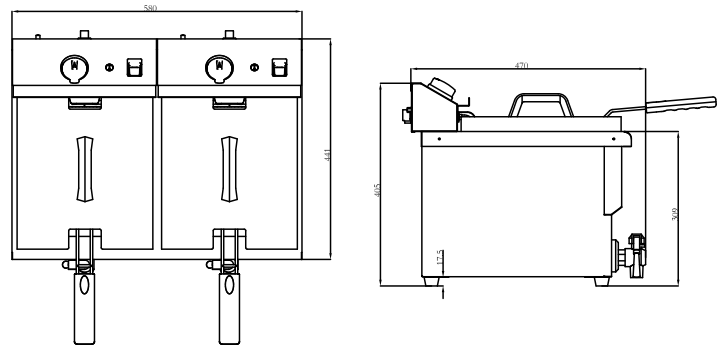
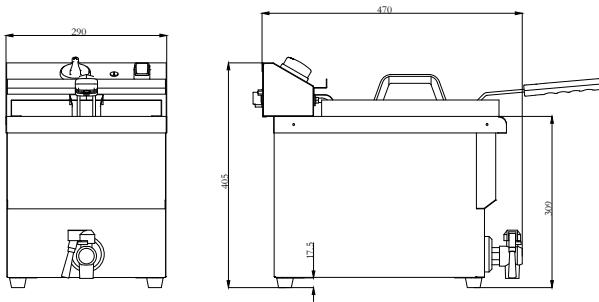


# Electric Fryer with Tap

**BF8**



**BF8+8**



## FEATURES

- Stainless steel construction
- Mesh batter plate
- Lids and baskets supplied
- Basket dimensions - 230 x 190 x 140mm deep
- Safety cut out
- Drain tap

## TECHNICAL SPECIFICATIONS

	<b>BF8</b>	<b>BF8+8</b>
Controller:	Manual thermostat	
Temperature Range:	+50°C ~ +190°C	
Power Consumption:	3000W	3000+3000W
Power Supply:	13amp	2x 13amp

MODEL	FINISH	CAPACITY	EXTERNAL DIMENSIONS (H x W x D mm)	WEIGHT (kg)	RRP
BF8	Stainless steel single tank	8L	405 x 290 x 470	11	
BF8+8	Stainless steel double tank	2x 8L	405 x 580 x 470	19	

