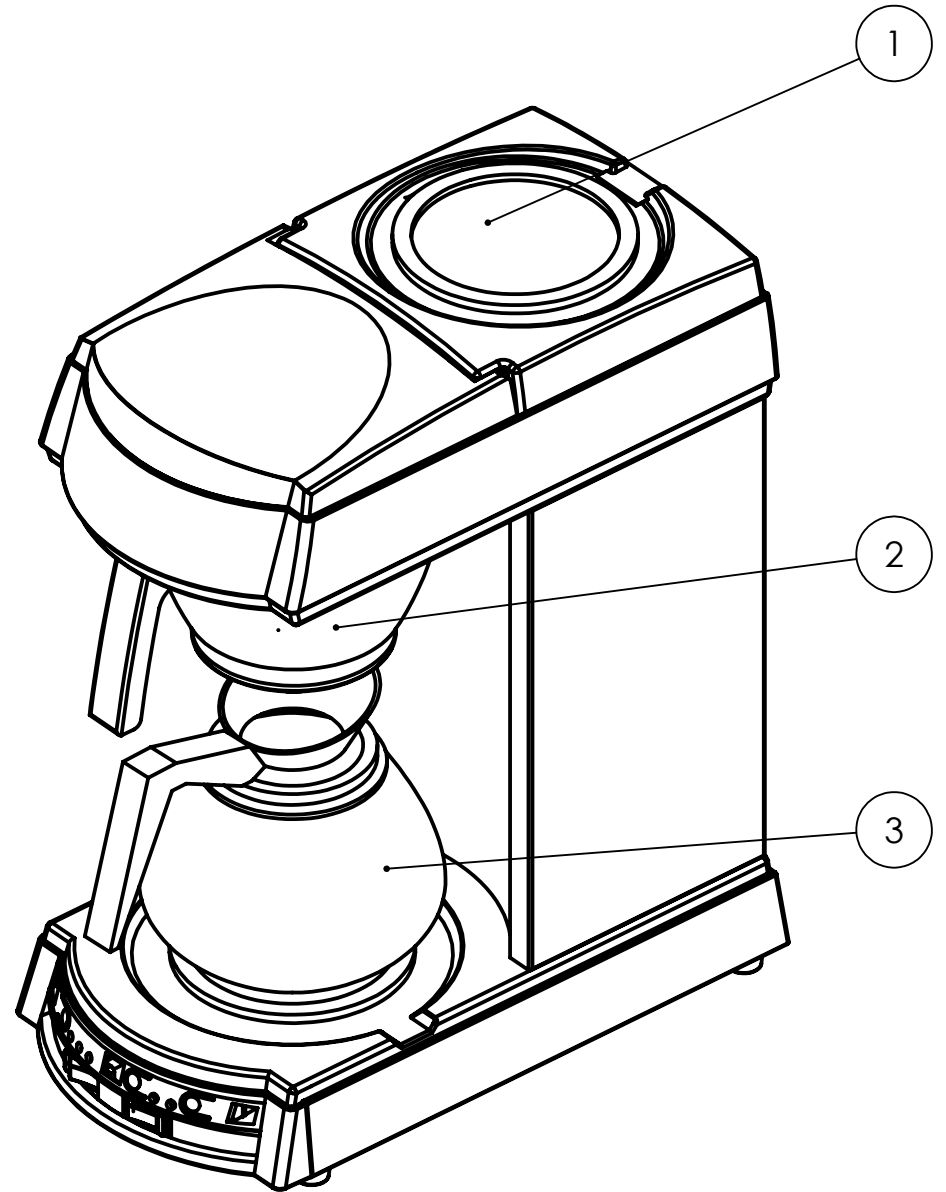
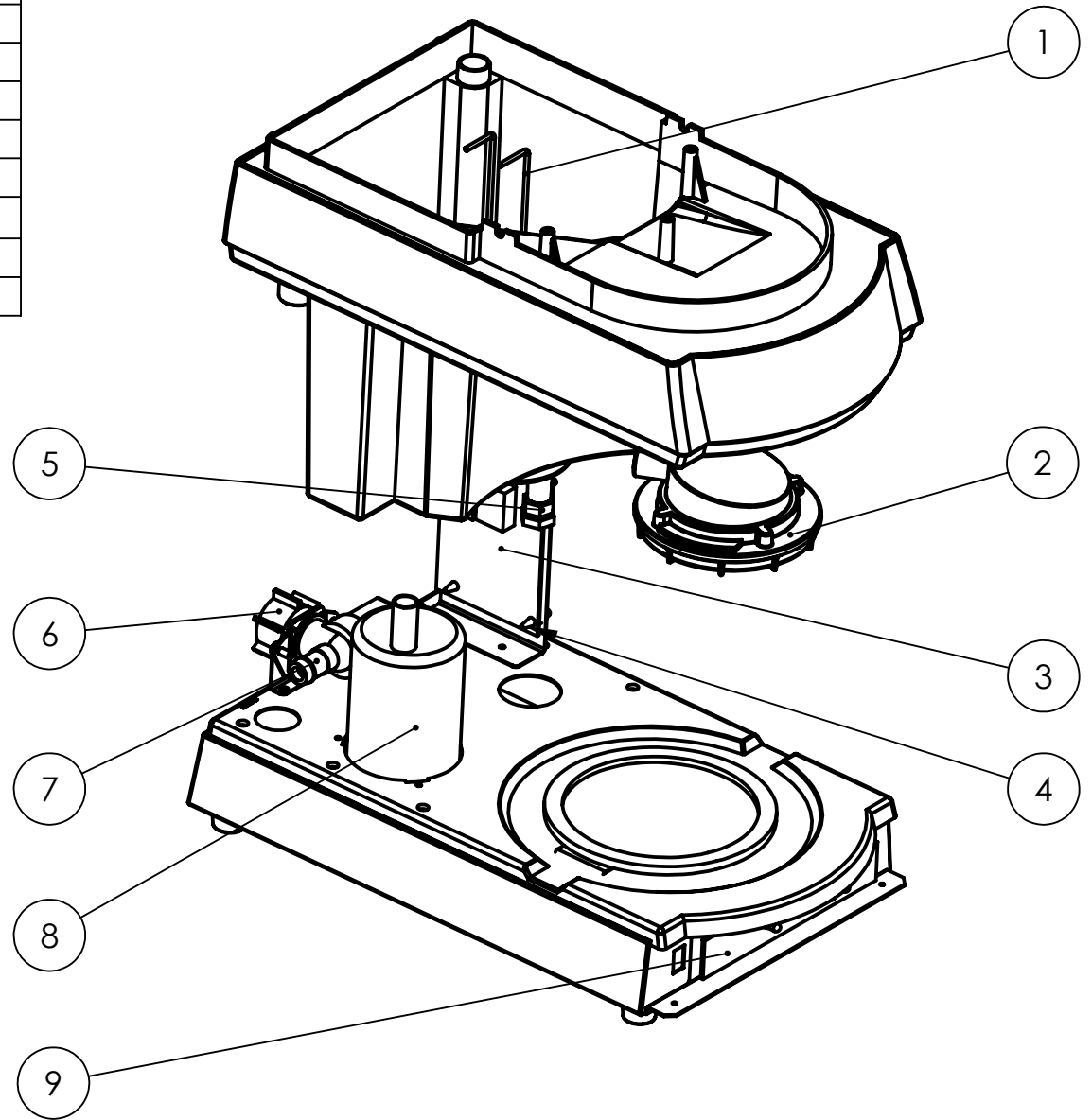


ITEM NO.	PART NUMBER	DESCRIPTION
1	1500925	HOTPLATE FILTRO C/W PTC
1.1	1500927	HOTPLATE FILTRO PLATE W/O PTC
1.2	1500926	HEATER PTC FILTRO
2	2300072	BASKET FILTRO
3	1700170	GLASS JUG



DESCRIPTION:	EXPLODED EXTERNAL	MACHINE NAME:	FILTRO JUG MF	DATE	01/08/08
		MACHINE NUMBER:	1000615	REVISION	A SCALE:1:4

ITEM NO.	PART NUMBER	DESCRIPTION
1	2300557	PROBE FILTRO AUTOFILL
2	1801196	SPRAYHEAD FILTRO
3	1600341	PCB FILTRO CONTROL
4	1801230	PILLAR SUPPORT PCB
5	1501076	FLOAT SWITCH FILTRO
6	1800690	WATER INLET HOSE WHITE
7	1502170	VALVE INLET 90 DEG 220V 12mm
8	1501058	FLASH BOILER 230V 2100W
9	1600342	PCB FILTRO DISPLAY



DESCRIPTION:	EXPLODED INTERNAL	MACHINE NAME:	FILTRO JUG MF	DATE	01/08/08	UNLESS OTHERWISE SPECIFIED: DIMENSIONS ARE IN MILLIMETERS TOLERANCES: LINEAR: +/-0.2mm    SCALE:1:4	
		MACHINE NUMBER:	16000615	REVISION	A		