

INFINITY FRYERS



G2845 fryer

KEY FEATURES

- Choice of control system
 - *standard or programmable models*
- Pre-mix burner system
 - *reduces energy consumption and running costs*
- Unique pan design requires just 16 litres of oil
 - *easy to clean, saves money on oil*
- In-built filtration
 - *extends oil life and offers increased safety to users*
- Pan cover
 - *included as standard*
- Feet at front, castors at rear
 - *couples excellent stability with mobility*

MODELS and ACCESSORIES

G2844 Fryer

G2845 Fryer with filtration

INSTALLATION NOTES

Adequate ventilation must be provided to supply sufficient fresh air for combustion and to allow easy removal of any such products that may present a risk to health. Please consult current legislation for details that relate to specific locations.

Install unit on a level, fireproof surface in a well-lit, draught free position. If floor is made of a combustible material, local fire requirements must be checked to ensure compliance.

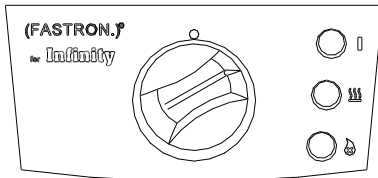
A clearance of 150mm should be observed between appliance and any combustible wall.





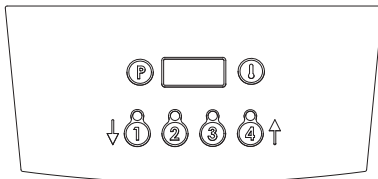
INFINITY FRYERS

MODEL DIMENSIONS (in mm)



G2845

- Improved reliability
- Improved temperature accuracy
- Dedicated end stop location reduces operator error



G2844

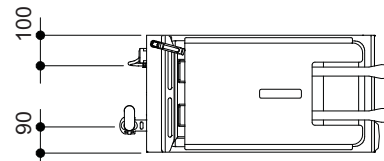
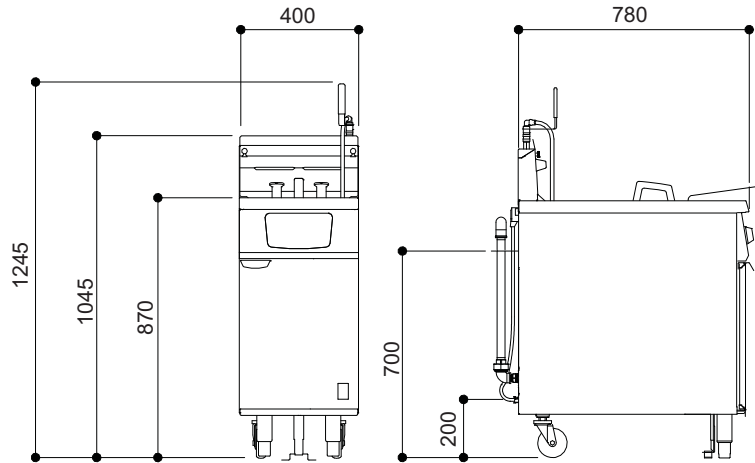
- User friendly, programmable button controller
- Improved flexibility due to increased program options
- Improved temperature accuracy
- Customer can make specific settings
- Improved control of cooking cycle

Notes:

* denotes gross rating value

** denotes pre-blanching, chilled 15mm size.

Recommended load - 1.5kg per basket.



SPECIFICATION DETAILS

	G2844	G2845
Total rating * (natural and propane - kW)	24.2	24.2
Total rating * (natural and propane - btu/hr)	82,500	82,500
Electrical rating (kW)	0.32	0.32
Electrical supply voltage	230V~	230V~
Electrical current split (amps)	1.37	1.37
Inlet size (natural and propane)	3/4" BSP	3/4" BSP
Flow rate - natural (m ³ /hr)	2.33	2.33
Flow rate - propane (kg/hr)	1.71	1.71
Inlet pressure (natural and propane - mbar)	20 / 37	20 / 37
Oil capacity (litres)	16	16
Hourly chip output ** (kg)	50	50
Weight (kg)	96	96
Packed weight (kg)	105	105

