

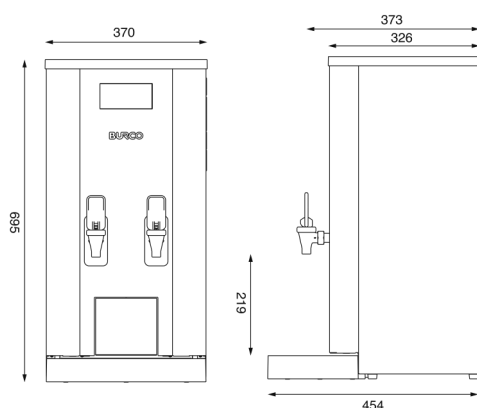
Autofill Countertop 20L Twin Tap (6kW) With Built in Filtration



Water Boiler Features

- Ideal for high traffic and busy locations, both taps may be used simultaneously heated by a powerful 6kW element (requires hard-wiring).
- Replaceable water filter provides better tasting beverages and reduces limescale buildup.
- Desired water temperature can be easily set between 98°C down to 70°C for more delicate speciality teas.
- Will dispense upto 400 cups per hour / 60 litres, with 22 litre rapid draw-off.
- The boilers eco-mode can be programmed to suit the location, reducing running costs and saving energy.
- Robust chrome tap, can be switched between controllable and constant flow with 220mm tap height above tray.
- Tough plastic drip tray, easy to empty and clean, with drain outlet for optional waste water connection.

Dimensions (mm)



Glen Dimplex Heating & Ventilation, Millbrook House, Grange Drive, Hedge End, Southampton, SO30 2DF

Product Code	069795
Model no.	AFF20TT
EAN Barcode	5011139069795
Product type	Autofill Boiler
Warranty Period	2 years parts and labour

Technical Information

Product Info:

Filtered	Yes
Capacity (litres)	20
Packed Dimensions (WxDxH, mm)	432x490x773
Drip Tray Dimensions (WxDxH, mm)	344x195x50
Product Weight (kg)	11.8
Packed Weight (kg)	14.8
Colour	Bright Annealed Stainless Steel & Black
Body Construction / Material	430 Stainless Steel
Tank Construction / Material	304 grade Stainless Steel
Trim and drip tray plastic type	PC ABS
Tap Material type	Chrome
Dual Function Tap	Yes
Safety Standards test	EN60335
Nonslip Feet	Yes
Boil Dry cut-out	Yes

Performance:

Heat up Time to 98°C (minutes)	34
Rapid Draw off—Litres	22
Rapid Draw off—Pints	39
Rapid Draw off—Cups	146
Output per Hr—Litres	60
Output per Hr—Pints	110
Output per Hr—Cups	400
Recovery Per min—Litres	1
Recovery Per min—Pints	1.76
Recovery Per min—Cups	6.6
Heat up time 70°C—98°C (minutes)	10
Cool down time 98°C—70°C (minutes)	596
Standard power consumption (kW/hr)	0.12

Installation:

Hard wiring required	Yes
UK fitted plug	No
Cable length (m)	NA
Water feed pipe length (m)	2
Max. water inlet pressure (bar)	8
Element power rating	5.6
Phase type	Single
Nominal voltage	230V 50-60Hz
Electrical supply current (A)	26
Water inlet connection fitting	3/4" BSP