



D5H/100B - Seal 500
Series Counter-top
Heated Merchandiser -
Back-Service - W 1000
mm - 2.02 kW

Keep hot meats, pasties, pies and other foods at the perfect temperature with the Seal 500 Range Heated Merchandiser.

- ✓ Elegant extruded aluminium frames and metallic silver finish enhance display without detracting from contents
- ✓ Precise thermostatic control up to 95°C with digital display of cabinet temperature ensures food is maintained at a safe temperature
- ✓ Minimum food holding temperature of 72°C
- ✓ Humidity feature prevents food drying out - food stays in optimum condition for longer, reducing waste
- ✓ All-round visibility to maximise food sales potential
- ✓ Daylight-balanced illumination to enhance display of contents with easy change clip-in fluorescent light tubes

Specifications

Summary **Power and Performance**

Range Name	Seal	Total Power kW	2.02
Power Type	Electric	Temperature Range °C	72 - 95
Unit Type	Counter-top	IP Rating	IP33
Available in UK Only	No	Temperature Control	Mechanical
UK Warranty	2 Years Parts and Labour Warranty		
Export Warranty	Contact your local dealer		
GTIN Code	5056105104032		

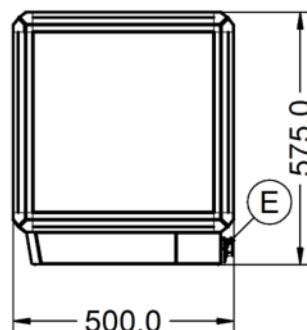
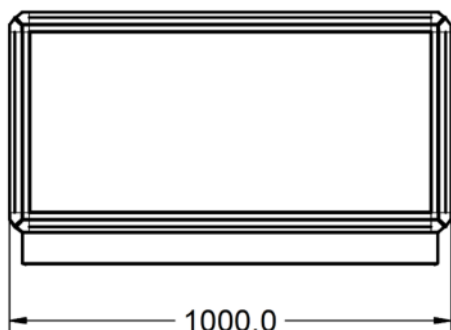
Key Specifications **Weights and Dimensions**

Number of Shelves included	2	Unit Height (External) mm	575
Number of Shelf Positions	2	Unit Width (External) mm	1000
Service Type	Back service	Unit Depth (External) mm	500
Rack Type	Static	Shelf Dimensions Width mm	900
Type of Lighting	Fluorescent	Shelf Dimensions Depth mm	375
Heated Base	Yes	Net Weight Kg	47

Supply Connections **Shipping**

Requires Installation	No	Packed Weight Kg	61.7
UK 3 Pin Plug	Yes	Packed Height cm	68
Requires Hardwiring	No	Packed Width cm	115
Electrical Supply Rating Watts	2,020	Packed Depth cm	75
Single Phase Amps	8.7		
Single Phase Voltage	230		

Technical Picture



Lincat Limited

Whisby Road,
Lincoln, LN6 3QZ,
United Kingdom

Company No: 2175448

A member company of



Customer Care

Tel: +44 1522 875500
Email: care@lincat.co.uk

Export Customers

Tel: +44 1522 503250
Email: export@lincat.co.uk

Opening Hours

Monday – Friday:
8.30am – 5pm