



UCG165A

Features

- Produces clear, long-lasting gourmet cubes.
- Space-saving 532 mm wide under-counter design.
- Produces up to 73 kg of ice per day.
- Constructed from sturdy, corrosion-resistant stainless steel and fingerprint-proof plastic.
- Ideal for any under-counter or bar application.
- Contemporary, elegant design.
- Environmentally friendly R134A refrigerant.
- Easily adjust the thickness of your ice from the front of the machine!

Space-Saving Solutions

- Front air discharge design for compact spaces.
- Low profile top saves counter space.
- Stores up to 40 kg of ice.
- Easy front access to ice.
- Removable Air Filter.

Options & Accessories

Ice Machine Model	Manifold		Inline
	System	Replacement	System
UCG165	IFQ1-S	IOMQ-S	IF14C / IF18C

Ice Maker Warranty

Every Ice-O-Matic ice maker is backed by a warranty that provides both parts and labor coverage.

- Two years Parts and Labour

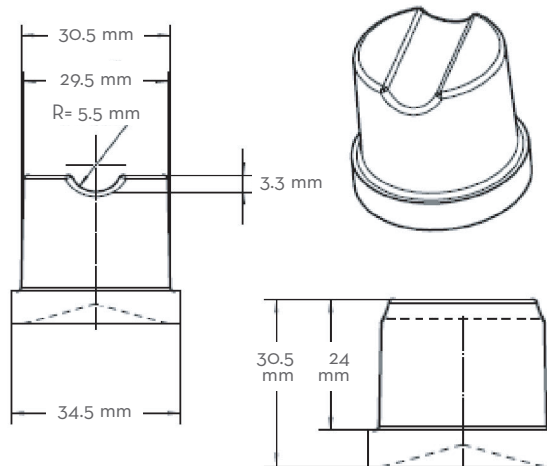
Ice Form



GOURMET ICE

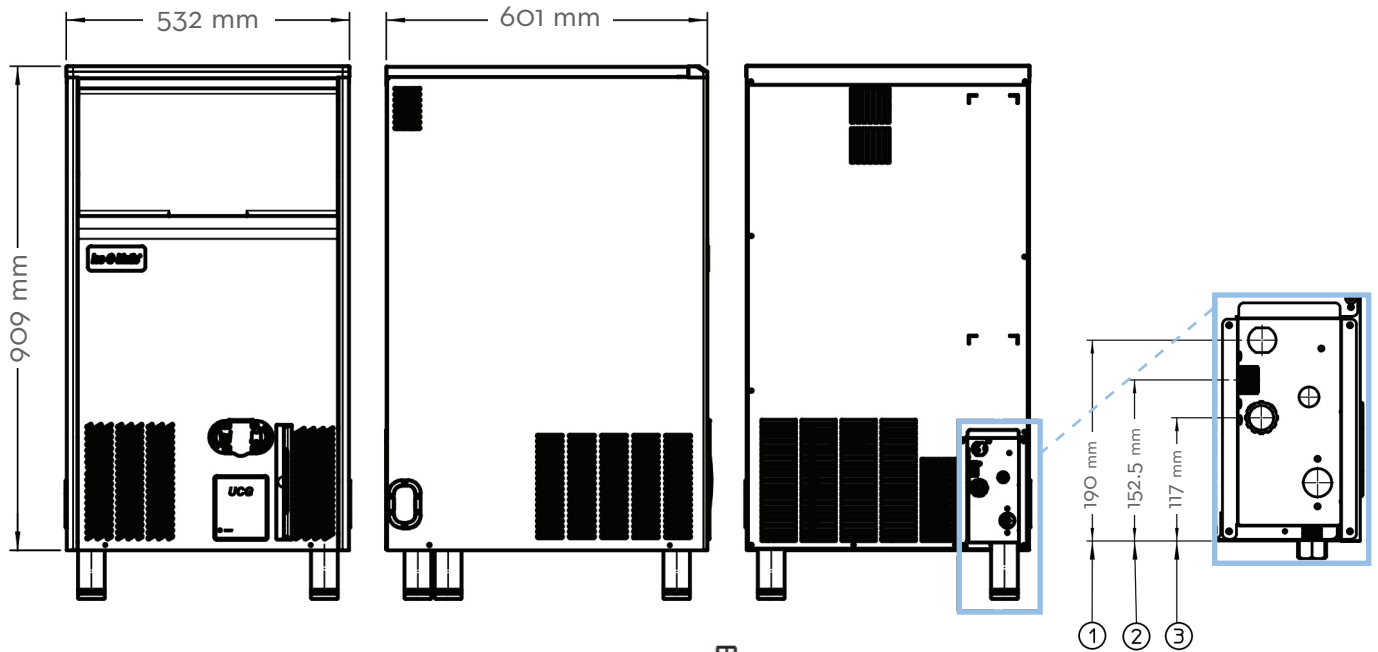
GOURMET ICE DIMENSIONS

Height	30.5 mm (1.2 in.)
Diameter	34.25 mm (1.35 in.)



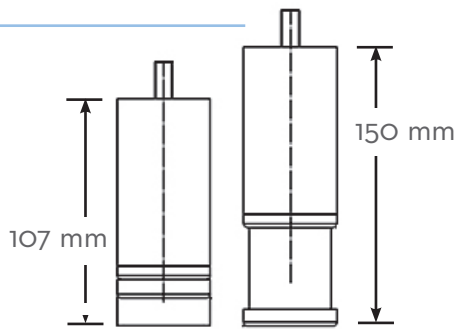


UCG165A GOURMET SERIES UNDERCOUNTER



LEGS INCLUDED

Extends from 107 mm to 150 mm



- 1 - Power Cord
- 2 - 19 mm Water Inlet
- 3 - 20 mm Water Drain

Operating Requirements

	MINIMUM	MAXIMUM
	50 Hz	
Ambient Temp. Range Air	10°C (50°F)	43°C (109°F)
Water Temp.	5°C (41°F)	38°C (100°F)
Water Pressure	1 BAR (14 PSI)	5 BAR (70 PSI)
Electrical Voltage	230V/50Hz/1ph	

Dimensions

ALL MODELS	
W x D x H (mm)	532 x 601 x 909
W x D x H (in.)	21 x 23 ³ / ₄ x 36

* Dimensions do not account for the included adjustable legs.

Specifications

Model Number	Cond. Unit	Ice Production per 24hrs	Ice Production per 24hrs	Ice Production per 24hrs	Storage Capacity (kg)	Water Consumption (ltr/hr)	kWH Used per 45 kg of Ice @ 32°C air/ 21°C water	Voltage Characteristics
		10°C air/10°C water (kg)	21°C air/10°C water (kg)	32°C air/21°C water (kg)				
UCG165A	Air	73	69	63	40	8	9	230/50/1

NOTES:

Approx. Shipping Weight (kg): UCG165A (37)
Refrigerant Type: R134A

All specifications and performance data are subject to normal manufacturing variances.

Ice-O-Matic reserves the right to change the specifications at any time without obligation. Certifications may vary depending on country of origin.