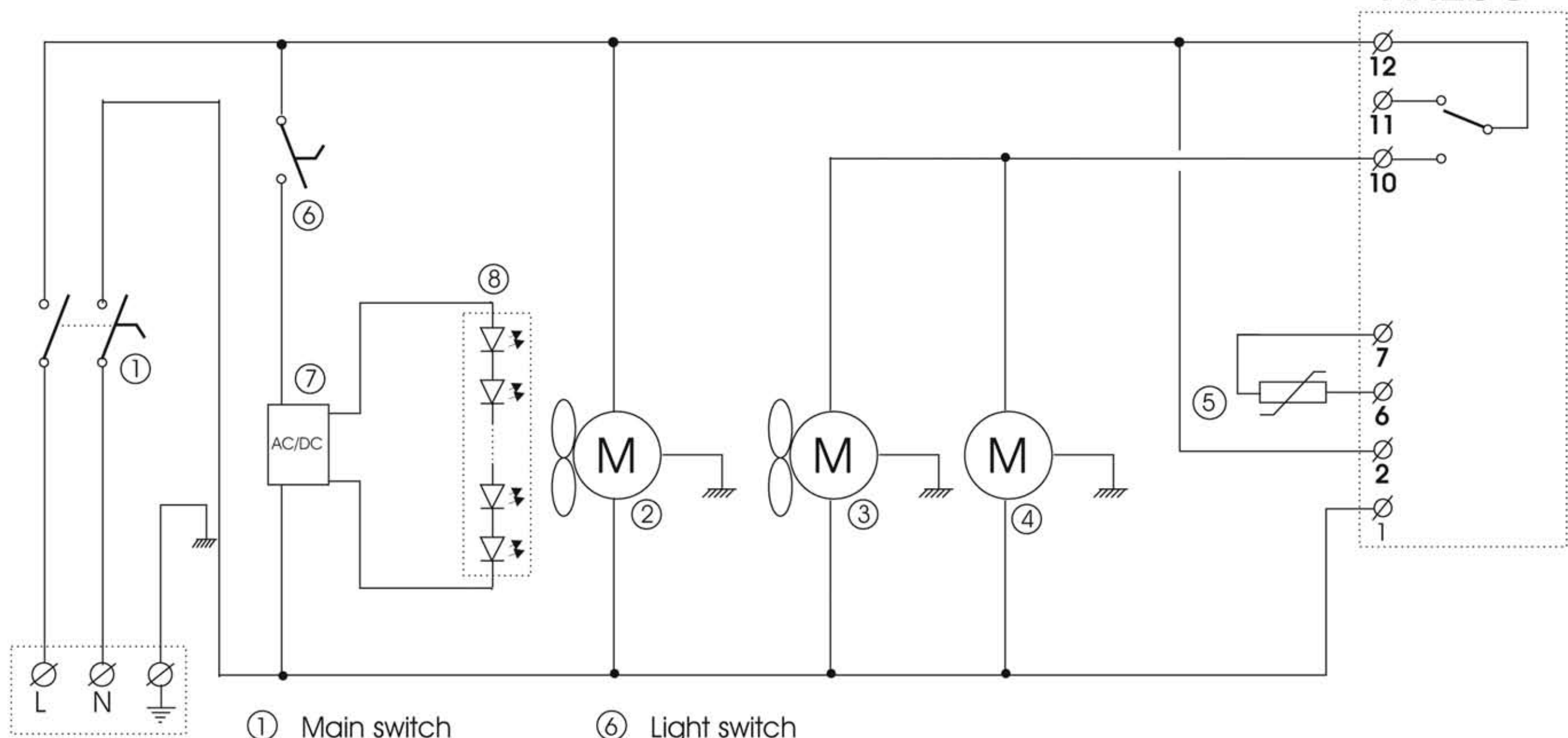


XR20C



- ① Main switch
- ② Evaporator fan
- ③ Condenser fan
- ④ Compressor
- ⑤ Cabinet probe
- ⑥ Light switch
- ⑦ LED Power supply
- ⑧ LED strip

<b>TEFCOLD</b> Cool Products Worldwide	Date: 140413
Model: UPD200	Rev.: 01
Wiring diagram	Rev. by: rfj
Drawing no.:	