



**P8P5 - Panther 800**  
**Series Free-standing Hot**  
**Cupboard - Plain Top - W**  
**1880 mm - 2.5 kW**

Helping to cater in demanding environments such as cafeterias, canteens and restaurants, the Panther 800 Series Hot Cupboard is perfect for plating and garnishing and as a pass to front of house staff, while it also provides extra workspace or can be used as a mobile workstation.

- ✔ Helping to cater in demanding environments such as cafeterias, canteens and restaurants
- ✔ Fan assisted hot cupboard provides even heat distribution, fast heat up and recovery times, and lower energy usage. Four shelf positions allow adjustment to meet individual needs.
- ✔ Fully 1/1 GN compatible hot cupboard for operational efficiency. Units available to take 5 x 1/1 GN containers up to 150mm deep.
- ✔ Accurate digital electronic control of the hot cupboard temperature, adjustable between 20 and 99 degrees C, ensures compliance with food hygiene regulations
- ✔ Double skinned construction provides efficient heat retention and a cool to touch exterior - safe and energy efficient. Removable doors and shelves allow access to the fully stainless steel interior for easy cleaning
- ✔ Supplied with two heavy duty multi-section chrome plated rod shelves capable of taking the heaviest loads

**Specifications**

Summary		Power and Performance	
<b>Range Name</b>	Panther	<b>Total Power kW</b>	2.5
<b>Power Type</b>	Electric	<b>Temperature Range °C</b>	20 - 99
<b>Unit Type</b>	Free-standing	<b>IP Rating</b>	IP24
<b>Available in UK Only</b>	No	<b>Plate Capacity</b>	476
<b>UK Warranty</b>	2 Years Parts and Labour Warranty	<b>Temperature Control</b>	Electronic
<b>Export Warranty</b>	Contact your local dealer		
<b>GTIN Code</b>	5056105103592		

Key Specifications		Weights and Dimensions	
<b>Number of Shelves included</b>	2	<b>Unit Height (External) mm</b>	900
<b>Number of Shelf Positions</b>	4	<b>Unit Width (External) mm</b>	1855
<b>Heated Base</b>	Yes	<b>Unit Depth (External) mm</b>	850
<b>Heated Gantry</b>	No	<b>Height (Internal) mm</b>	432
<b>Static or Mobile</b>	Mobile	<b>Width (Internal) mm</b>	1670
		<b>Depth (Internal) mm</b>	512
		<b>Shelf Dimensions Width mm</b>	1610
		<b>Shelf Dimensions Depth mm</b>	512
		<b>Net Weight Kg</b>	171

Supply Connections		Shipping	
Requires Installation	No	Packed Weight Kg	201
Requires Electrical Supply	Yes	Packed Height cm	110
UK 3 Pin Plug	Yes	Packed Width cm	188
Requires Hardwiring	No	Packed Depth cm	90
Electrical Supply Rating Watts	2,500		
Single Phase Amps	10.9		
Single Phase Voltage	230		

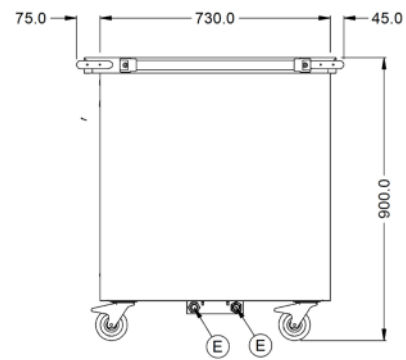
### Available Options

<b>Overshelf or Gantry</b>	
PG5A	PG5A - Ambient Gantry
PG5H	PG5H - Heated Gantry
PS5A1	PS5A1 - 1 Ambient Overshelf
PS5A2	PS5A2 - 2 Ambient Overshelves
PS5A3	PS5A3 - 3 Ambient Overshelves
PS5H1	PS5H1 - 1 Heated Overshelf
PS5H2	PS5H2 - 2 Heated Overshelves
PS5H3	PS5H3 - 3 Heated Overshelves
<b>Door Locks</b>	
PDL5	PDL5 - Lockable Door
<b>Corner Guards</b>	
PCG	PCG - Corner Guards [Set of Four]
<b>Trayslides</b>	
PTS5	PTS5 - Tray Slide
<b>Legs/Castors</b>	
PLK	PLK - Legs [non chargeable]

### Available Accessories

PLK/S	PANTHER LEG KIT FOR CONVERSION IN THE FIELD
-------	---

### Technical Picture



**Lincat Limited**

Whisby Road,  
Lincoln, LN6 3QZ,  
United Kingdom

**Company No:** 2175448

A member company of



**Customer Care**

**Tel:** +44 1522 875500  
**Email:** care@lincat.co.uk

**Export Customers**

**Tel:** +44 1522 503250  
**Email:** export@lincat.co.uk

**Opening Hours**

**Monday – Friday:**  
8.30am – 5pm