

Technical data sheet for
INDUCTION COOKTOP 900mm
IN514-CB

- Heavy-duty construction
- Four 5KW induction zones
- Cabinet base with doors
- Stainless steel cabinet interior
- Stainless steel exterior
- Easy clean
- Fully modular



IN514-CB

Overall Construction

Cooktop

- Welded hob with 1.5mm stainless steel bull nose
- Splashback and side panels 1.2mm stainless steel
- Front panels 0.9mm stainless steel
- 6mm thick ceramic glass cooking surface

Cabinet Base

- Fully modular for match suite finish
- Double skin 0.9mm stainless steel interior and exterior
- 63mm dia. heavy-duty 1.2mm stainless steel legs with adjustable feet

Controls

- Large easy use control knob
- Four 270mm diameter induction zones
- Infinitely variable power controls for each induction zone
- Automatic pan detection switches cooking zone off when pan removed
- Heating ON indicator lights (green) including pan detection indication
- Error mode indicator light (red)

Cleaning and Servicing

- All models with easy clean stainless steel external finish
- Fully sealed cooking surface
- Removable full stainless steel air intake filters (induction cooling)
- Front service access

Technical data sheet for INDUCTION COOKTOP 900mm

Specifications

Cooktop

4 x 5kW induction plates
Ø 270mm cooking zones

Electrical requirements

IN514-CB
20kW, 400-415Vac, 50/60hz, 3P+N+E
32A/phase
Electrical connection
130mm from RH side, 24mm from rear
742mm from floor

Dimensions

Width 900mm
Depth 812mm
Height 1085mm
Incl. splashback 1130mm

Nett weight

105kg

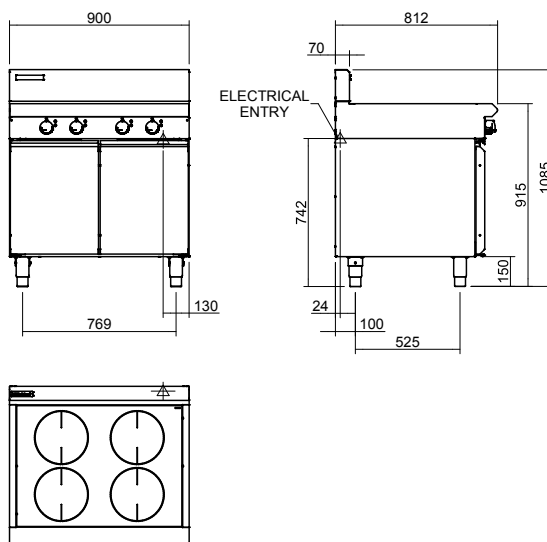
Packing data

1.03m³, 157kg
Width 945mm
Depth 865mm
Height 1255mm

Options

Castors
Plinth mounting

IN514-CB



MOFFAT®

Australia
www.moffat.com.au
New Zealand
www.moffat.co.nz

www.bluesealevolution.com

Australia
Moffat Pty Limited

Victoria/Tasmania
740 Springvale Road
Mulgrave, Victoria 3170
Telephone 03-9518 3888
Facsimile 03-9518 3833
vsales@moffat.com.au

New South Wales
Telephone 02-8833 4111
nswsales@moffat.com.au

South Australia
Telephone 03-9518 3888
vsales@moffat.com.au

Queensland
Telephone 07-3630 8600
qldsales@moffat.com.au

Western Australia
Telephone 08-9202 6820
bgarcia@moffat.com.au

New Zealand
Moffat Limited

Christchurch
16 Osborne Street
Christchurch 8011
Telephone 03-389 1007
Facsimile 03-389 1276
sales@moffat.co.nz

Auckland
Telephone 09-574 3150
sales@moffat.co.nz



ISO9001
Quality
Management
Standard

Designed and manufactured by

MOFFAT®

ISO9001

All Blue Seal products are designed and manufactured by Moffat using the internationally recognised ISO9001 quality management system, covering design, manufacture and final inspection, ensuring consistent high quality at all times.

In line with policy to continually develop and improve its products, Moffat Limited reserves the right to change specifications and design without notice.

BLUE SEAL EVOLUTION SERIES®

Printed in China
© Copyright Moffat Ltd
Moffat / 7.11 / 1219

