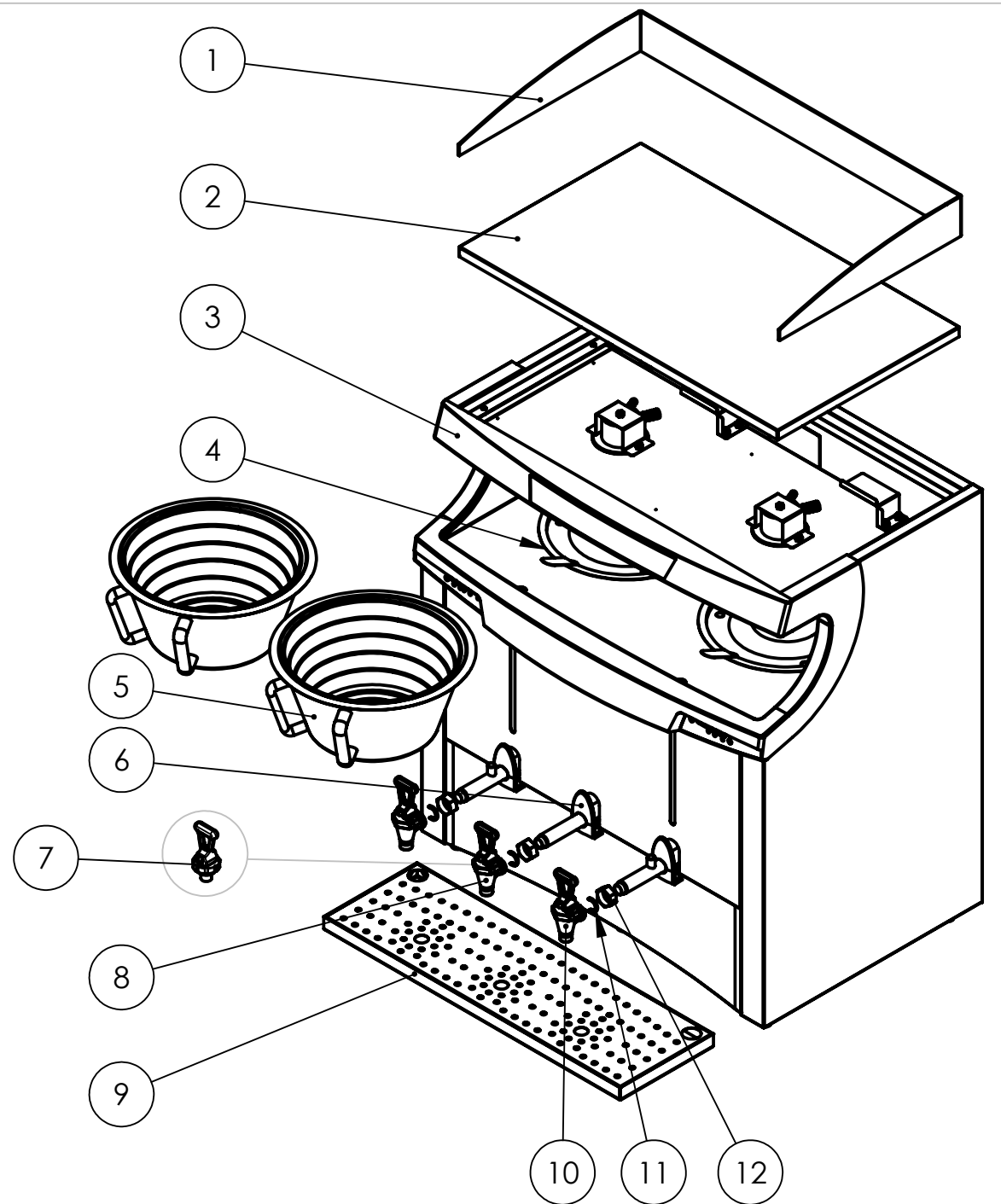
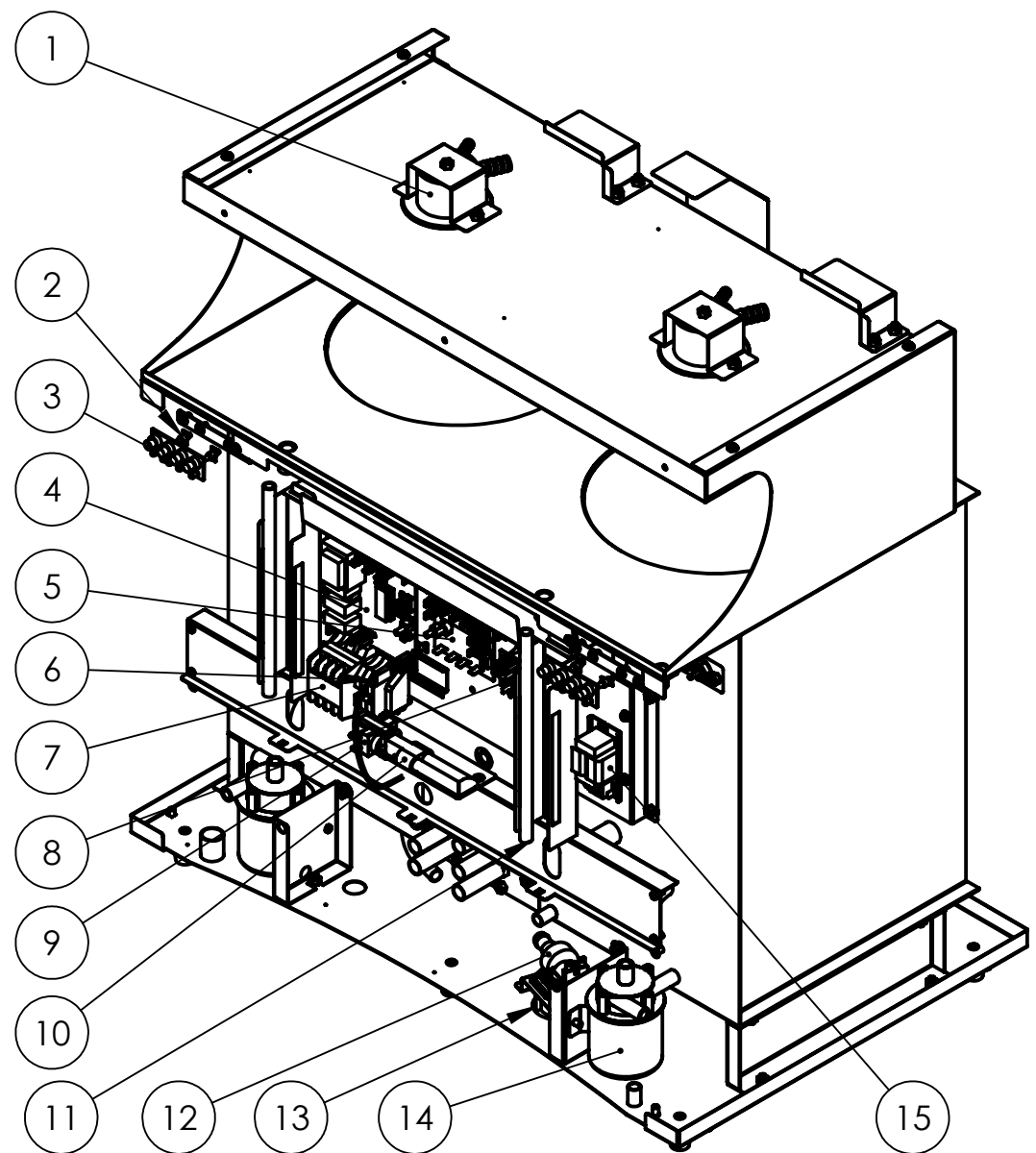


ITEM NO.	PART NUMBER	DESCRIPTION
1	1801515	CUP RAIL ACRYLIC MB2
2	2300417	OUTER LID
3	1801550	PLASTIC FASCIA MB2
4	2300996	LID COFFEE URN 275mm x 136mm
5	2300075	BASKET COMPLETE 320mm x 146mm
6	1801560	PLASTIC ROSE MBT2/QBT2
7	2100155	TAP HANDLE ASSEMBLY HOT WATER
8	2100275	TAP TOM BLACK HOT WATER
9	2300195	DRIP TRAY COMPLETE
10	2100290	TAP TOM BLACK COFFEE
11	1400550	CIRCLIP FOR SPIGOT
12	1401170	NUT CP 3/4" BSP CHROMED



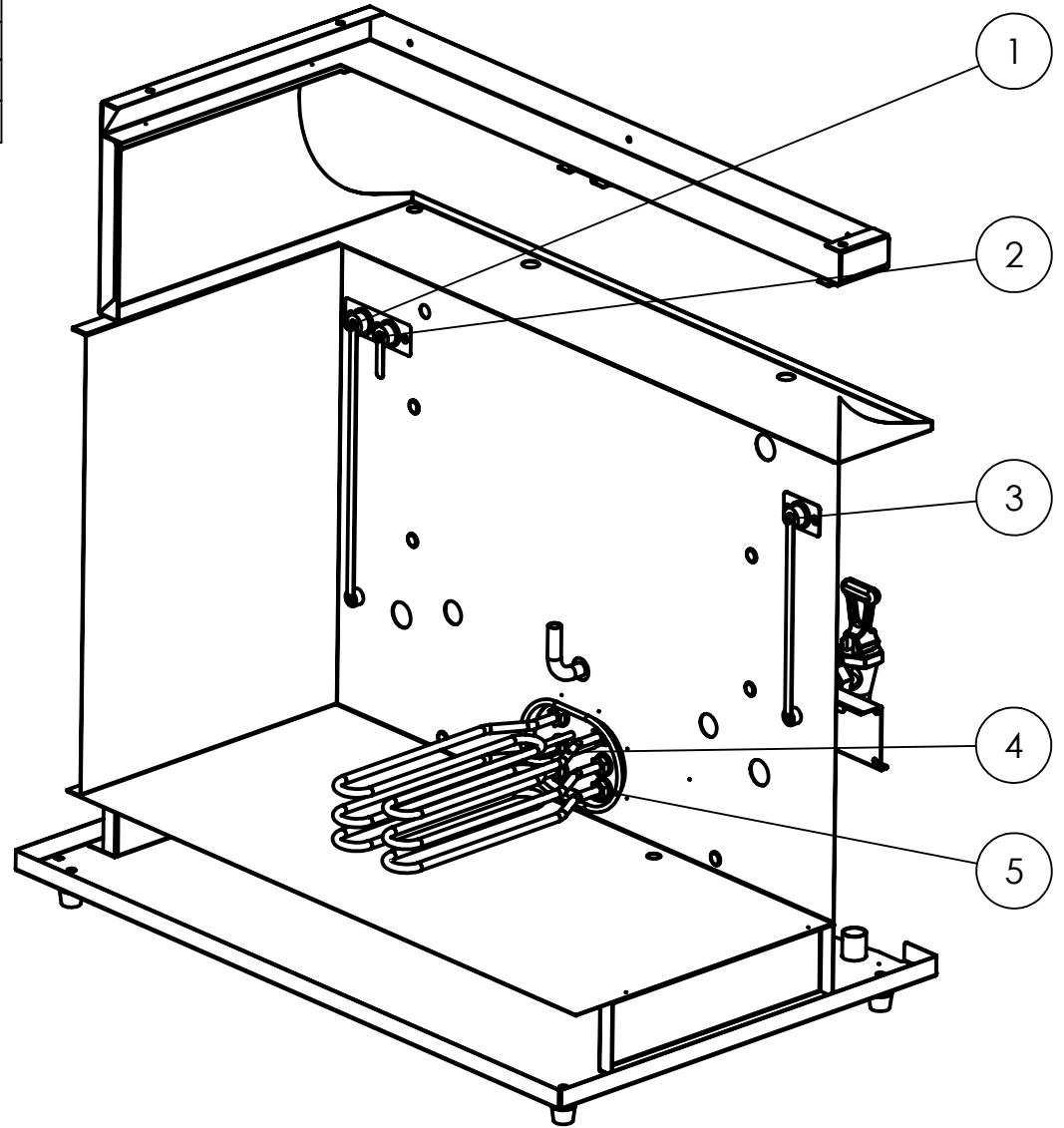
DESCRIPTION:	EXPLODED EXTERNAL	MACHINE NAME:	MAXIBREW TWIN	DATE	01/08/08	UNLESS OTHERWISE SPECIFIED: DIMENSIONS ARE IN MILLIMETERS	
		MACHINE NUMBER:	1000465	REVISION	A	TOLERANCES: LINEAR: +/-0.2mm	SCALE:1:10

ITEM NO.	PART NUMBER	DESCRIPTION
1	1402555	SPRAYHEAD COMPLETE MB2
1.1	1801184	SPRAYHEAD DISC 1.7 mm 10 HOLES
2	1801230	PILLAR SUPPORT PCB
3	1600324	PCB BREWER DISPLAY BOARD
4	1600326	PCB BREW BOARD
5	1600323	PCB TIMER DUAL 2003 + CONNECTOR
6	1600691	THERMISTOR ASSEMBLY
7	1500840	CONTACTOR 240V B&J
8	1600319	PCB AIR PUMP DRIVER
9	1501212	LAMPHOLDER CFL
10	1501213	LAMP CFL S2 5W
11	1700250	SIGHTGLASS 12mm OD X 9mm ID x 245mm
12	1502170	VALVE INLET 90 DEG 220V 12mm
13	1800690	WATER INLET HOSE WHITE
14	1501540	PUMP NIKKISO
15	1501211	LAMP BALLAST FOR CFL



DESCRIPTION:	EXPLODED INTERNAL	MACHINE NAME:	MAXIBREW TWIN	DATE	01/08/08	UNLESS OTHERWISE SPECIFIED: DIMENSIONS ARE IN MILLIMETERS	
		MACHINE NUMBER:	1000465	REVISION	A	TOLERANCES: LINEAR: +/-0.2mm	SCALE:1:7

ITEM NO.	PART NUMBER	DESCRIPTION
1	2301300	PROBE ASSEMBLY BREWER 290mm
2	2301463	PROBE COMPLETE ASSEMBLY 40mm
3	2301325	PROBE ASSEMBLY BREWER 190mm
4	1500975	ELEMENT 2.8kW 230V M SHAPE LONG
5	1800770	O RING CLEANOUT DOOR



DESCRIPTION:	INTERNAL CUTAWAY	MACHINE NAME:	MAXIBREW TWIN	DATE	01/08/08	UNLESS OTHERWISE SPECIFIED: DIMENSIONS ARE IN MILLIMETERS TOLERANCES: LINEAR: +/-0.2mm SCALE:1:7	
		MACHINE NUMBER:	1000465	REVISION	A		