

CB9

900mm Gas Barbecue



CB9

- 900mm wide
- Stainless steel grease tray
- Reversible top grates
- Inclined position to reduce flare and enhance grease run
- 3 x 9kW aluminised burners
- Flame failure protection with continuous pilot burner and piezo ignition
- Lift out grates, radiants and baffles for cleaning
- Open cabinet base for extra storage
- Adjustable front feet and rear rollers
- Stainless steel finish

OVERALL CONSTRUCTION

- Six 135mm wide x 550mm long reversible cast iron top grates
- Cast iron burner radiants and aluminised steel baffles
- Aluminised steel burners
- Stainless steel front, sides and splashback
- Vitreous enamelled control panel
- Stainless steel cabinet interior base
- Stainless steel grease tray
- 63mm dia. stainless steel adjustable legs to front and two rollers at rear

CONTROLS

- Large easy use control knobs
- Triple controls with variable high to low burner setting
- Pilot, flame failure and piezo ignition to each burner

CLEANING AND SERVICING

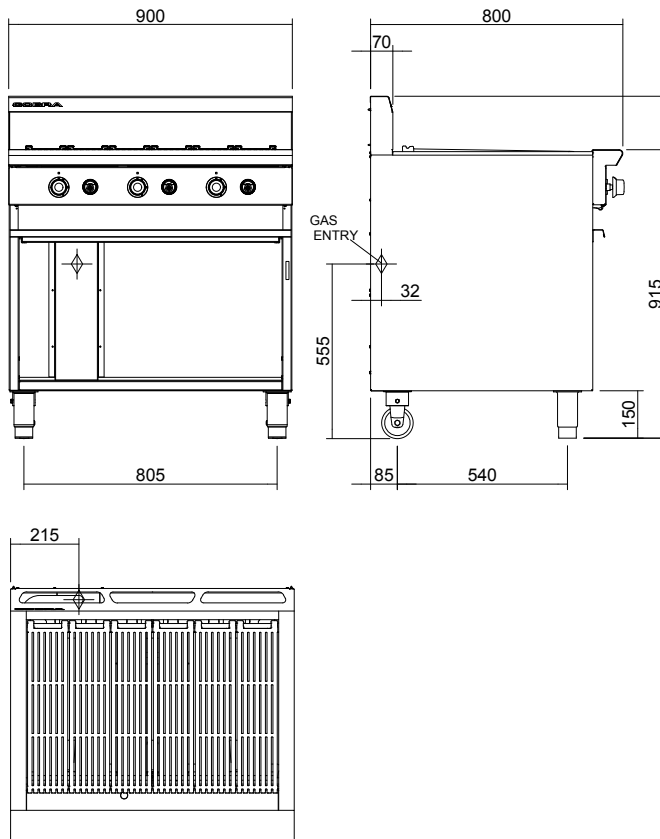
- Lift out radiants, burners and grease tray baffles
- Lift out stainless steel top grate and radiant supports
- Easy clean stainless steel exterior
- Access to all parts from front of unit

Matching Products



CB9

900mm Gas Barbecue



CB9

SPECIFICATIONS

Burners

3 x 9.0kW U-burners

Gas power

Natural gas

27.0kW (nett), 102,310 Btu/hr (gross)

Propane gas

27.0kW (nett), 100,140 Btu/hr (gross)

Gas flow rate

Natural gas 2.86m³/hr

Propane gas 2.10kg/hr

Cooking surface area

800mm x 540mm, 4320cm²

Gas connection

R 1/2 (BSP) male

215mm from LH side, 32mm from rear, and 555mm from floor

Dimensions

Width 900mm

Depth 800mm

Height 915mm

Incl. splashback 1085mm

Nett weight

114.5kg

Packing data

1.21m³, 155kg

Width 1010mm

Depth 955mm

Height 1250mm

Gas types

Available in Natural gas and Propane gas,

please specify when ordering

Other gas types on request

blue-seal.co.uk

United Kingdom

blue-seal.co.uk

Blue Seal Limited

Unit 67

Gravelly Business Park

Gravelly

Birmingham B24 8TQ

England

Telephone 0121-327 5575

Facsimile 0121-327 9711

sales@blue-seal.co.uk

Australia

moffat.com.au

Moffat Pty Limited

740 Springvale Road

Mulgrave, Victoria 3170

Australia

Telephone +613-9518 3888

Facsimile +613-9518 3833

vsales@moffat.com.au

New Zealand

moffat.co.nz

Moffat Limited

Rolleston

45 Illinois Drive

Izone Business Hub

Rolleston 7675

Telephone +64 3-983 6600

Facsimile +64 3-983 6660

sales@moffat.co.nz



ISO9001
Quality
Management
Standard

Designed and manufactured by



ISO9001

All Cobra products are designed and manufactured by Moffat using the internationally recognised ISO9001 quality management system, covering design, manufacture and final inspection, ensuring consistent high quality at all times.

In line with policy to continually develop and improve its products, Moffat Limited reserves the right to change specifications and design without notice.



© Copyright Moffat Ltd
UK.C.01.19 / 1622

an Ali Group Company



The Spirit of Excellence