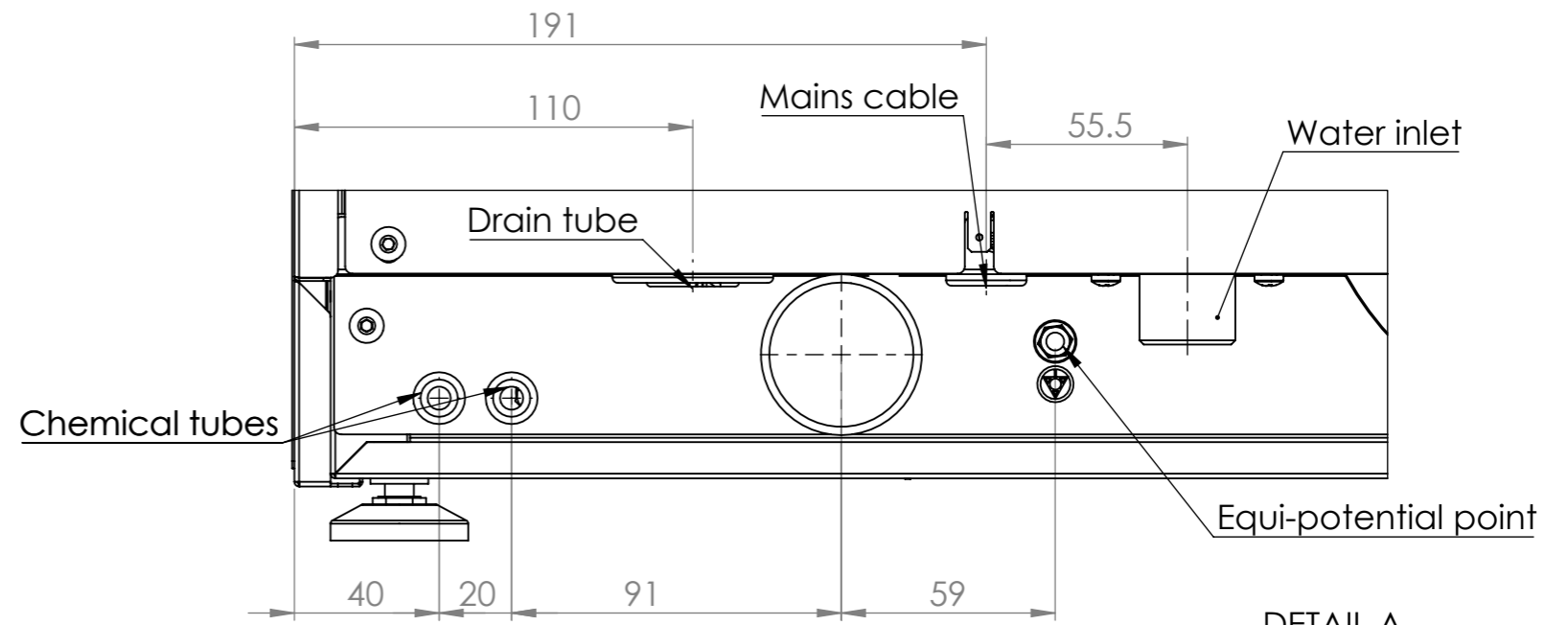
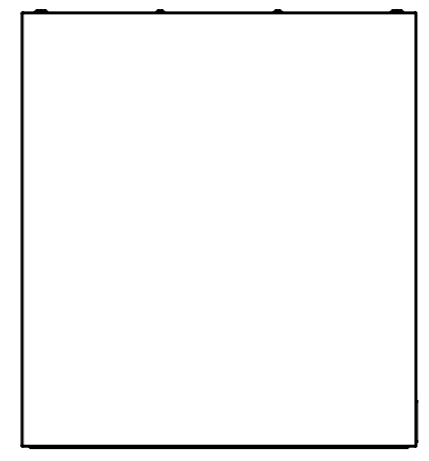
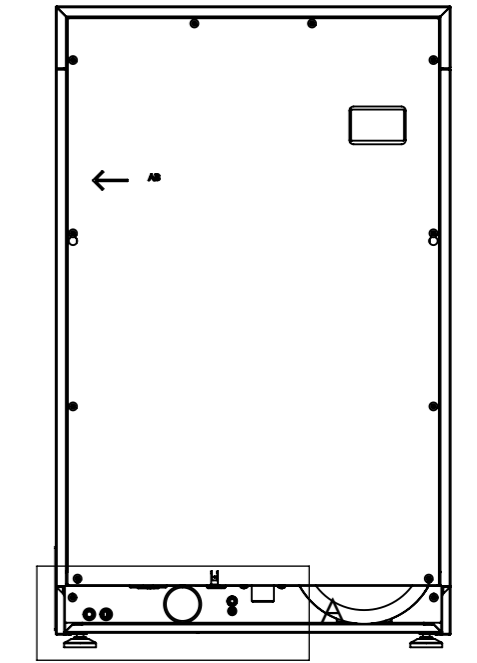
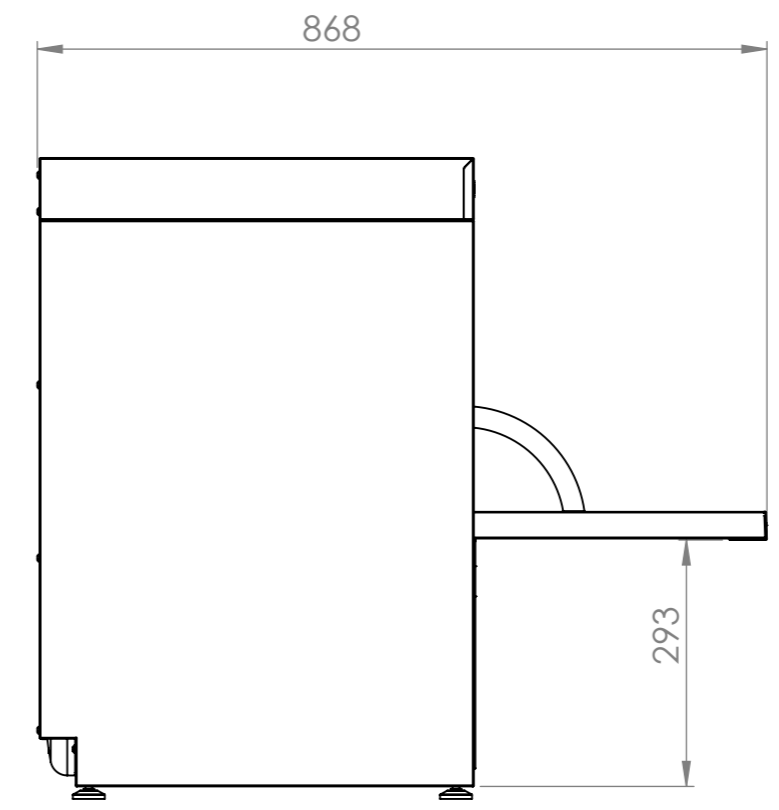
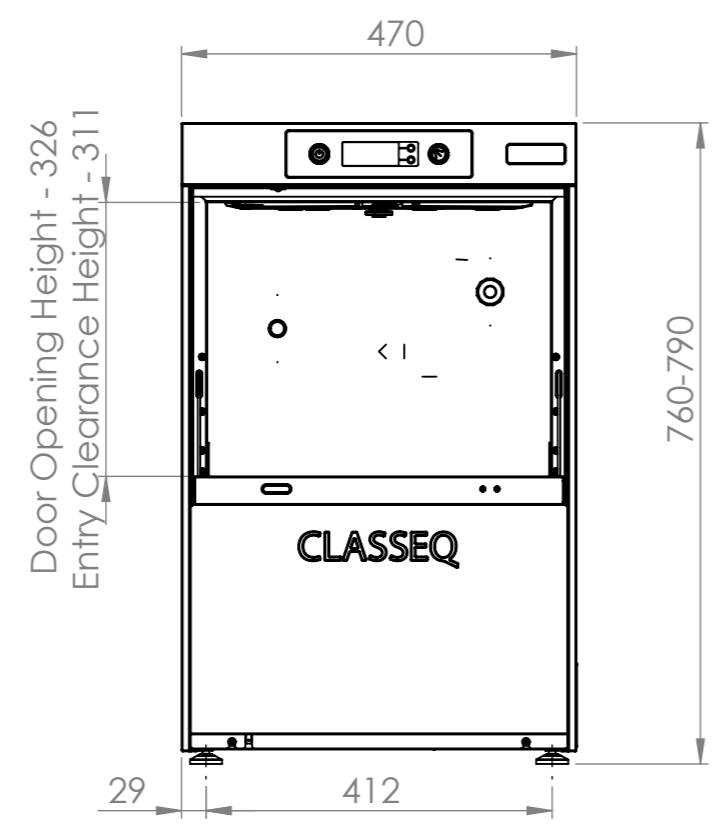
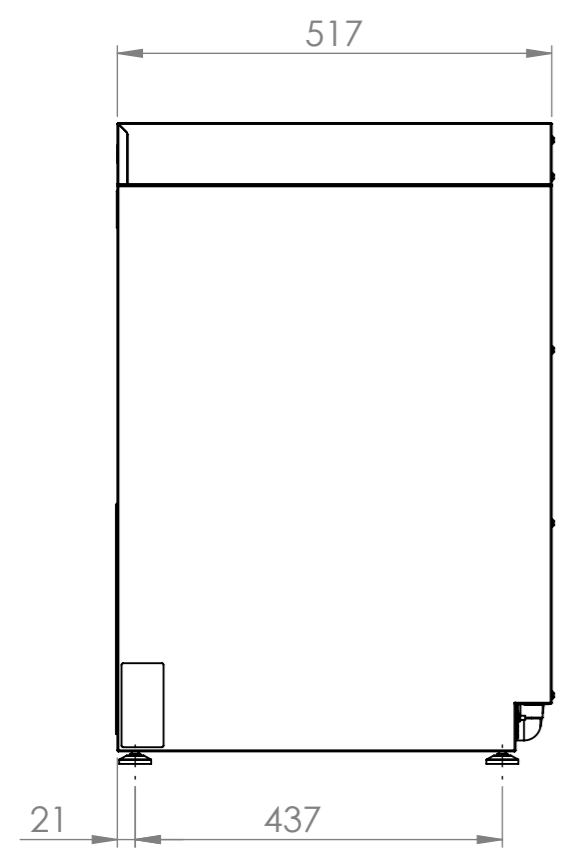


REVISIONS				
ECI	REV.	COMMENT	DATE	BY

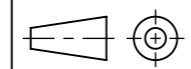


DETAIL A
SCALE 1 : 2

General Notes:

CLASSEQ
 Classeq Ltd.
 Classeq House
 Airfield industrial Estate
 Hixon
 Staffordshire
 ST18 0PF
 United Kingdom

IF IN DOUBT
ASK



NAME	DATE	STATUS:		
A.Patil	22/02/2017	Production		
MATERIAL:		DESCRIPTION:		
See Table		400mm DUO Machine Layout		
FINISH:	SIZE	DRAWING NO.:	REV.:	
	A3	90000461	DEV-01	
DO NOT SCALE 3D DATA IS MASTER DIMENSIONING WITH REFERENCE TO BS8888		WEIGHT:	SCALE:1:9	Sheet 1 of 1
		38 Kg	OUTSIDE DIMS.: H: W: D:	