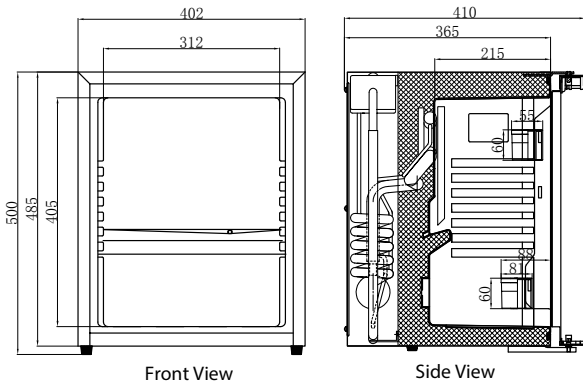


# Mini Bars

MB30

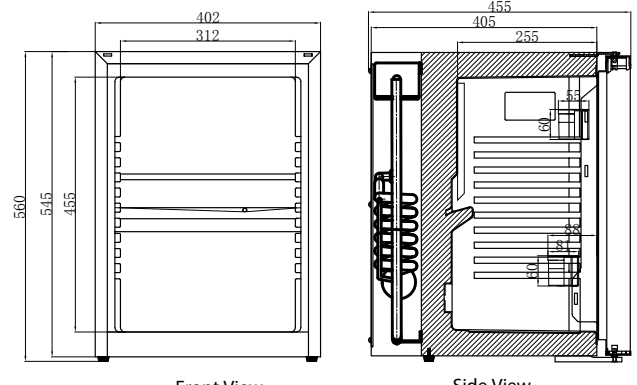


MB40



Front View

Side View



Front View

Side View

## FEATURES

Black laminated exterior; White ABS interior

Absorption cooling

Silent operation

Reversible door

Adjustable shelf

Door shelf

Lock fitted as standard

Internal LED illumination

Replaceable door gasket

## TECHNICAL SPECIFICATIONS

Controller: Manual thermostat

Cooling: Absorption

Defrost: Automatic

Refrigerant: NH<sub>3</sub>

Climate Class: 4

Temperature Range: +5°C ~ +12°C

Power Supply: 13amp

MODEL	SHELF	DOOR SHELF	CAPACITY (Bottles*)	GROSS CAPACITY	EXT. DIMENSIONS (H x W x D mm)	POWER CONSUMPTION	WEIGHT (kg)	RRP
MB30	1	1	10	30L	500 x 402 x 441	65W	17.5	<b>£265.00</b>
MB40	2	2	24	40L	560 x 402 x 471	65W	20.5	<b>£279.00</b>

\* based on 330ml bottles

