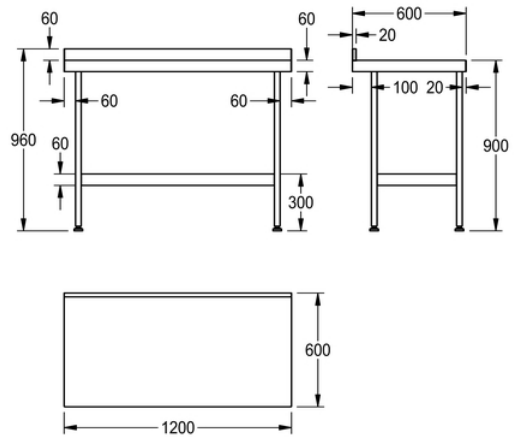


PREPARATION MINI WALL TABLE: F20601Z

F20601Z | 2000100164

ARTICLE GROUP : F20601 ++ | ARTICLE FAMILY : Work tops | PRODUCT GROUP : Catering



Mini wall tables will align with the Mini range of catering sinks. Mini wall tables are manufactured from 1.2 thick austenitic grade stainless steel polished to a satin finish. Stainless steel underframes complete with shelf are supplied with each table, in a flat pack form with easy to read assembly instructions. Each leg is fitted with an adjustable foot (-20, +10mm) with a working height of 900mm.

Mini Wall Table with Flatpack Underframe

TECHNICAL DATA

gross weight	14.20 kg
material	stainless steel
material code	1.4301 Chrome Nickel steel V2A
material thickness	1.20 mm
overall depth	600.00 mm
overall height	900.00 mm
overall width	1,200.00 mm
rear upstand	yes
surface finish	satin finished
type of mounting	floor mounting
net weight	13.80 kg