



**BM7XC - Silverlink 600
Electric Counter-top Bain
Marie - Dry Heat -
Gastronorms - Base +
Dish Pack - W 750 mm -
1.0 kW**

The Silverlink 600 Electric Dry Heat Bain Marie safely holds sauces, soups, gravy and precooked foods for up to two hours at the ideal serving temperature

- ✓ Dry heat bain marie
- ✓ Ideal for holding foods for up to 2 hours at serving temperature
- ✓ 6 x 1/3 150mm deep gastronorms with lids are included
- ✓ Plug and play for an easy installation
- ✓ Perfect for safely holding sauces, gravy & pre-cooked foods
- ✓ Adjustable temperature control

Specifications

Summary		Power and Performance	
Range Name	Silverlink 600	Gastronorm Capacity	6 x GN1/3
Power Type	Electric	Total Power kW	1.0
Unit Type	Counter-top	IP Rating	IP33
Available in UK Only	No	Temperature Control	Mechanical
UK Warranty	2 Years Parts and Labour Warranty		
Export Warranty	Contact your local dealer		
GTIN Code	5056105100614		

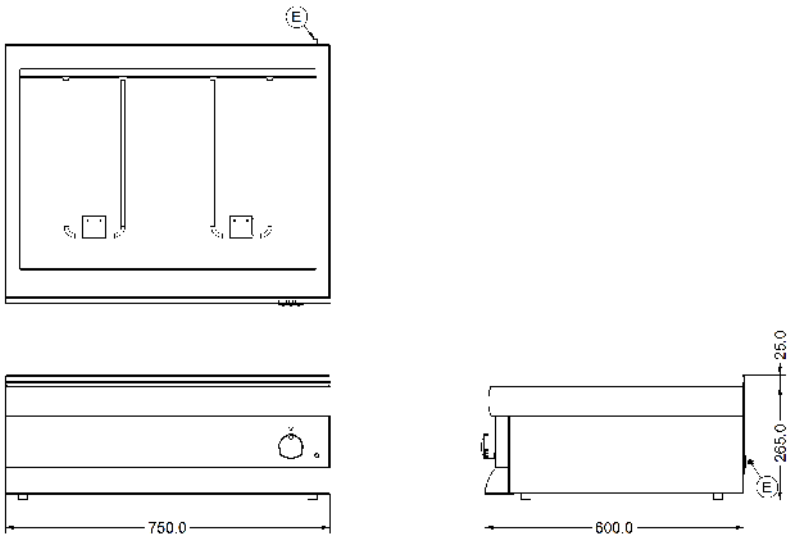
Key Specifications		Weights and Dimensions	
Pot Type	Gastronorm	Unit Height (External) mm	290
Type of Heat	Dry	Unit Width (External) mm	750
		Unit Depth (External) mm	600
		Net Weight Kg	20.9

Supply Connections		Shipping	
Requires Installation	No	Packed Weight Kg	28
Requires Electrical Supply	Yes	Packed Height cm	49.5
UK 3 Pin Plug	Yes	Packed Width cm	85.5
Requires Hardwiring	No	Packed Depth cm	70
Electrical Supply Rating Watts	1,000		
Single Phase Amps	4.3		
Single Phase Voltage	230		

Available Accessories

- CC7** Silverlink 600 Free-standing Ambient Open-Top Pedestal with Doors - W 750 mm
- CN7** Silverlink 600 Free-standing Ambient Open-Top Pedestal without Doors - W 750 mm
- HC7** Silverlink 600 Free-standing Heated Open-Top Pedestal with Doors - W 750 mm - 0.5 kW
- HCL7** Silverlink 600 Free-standing Heated Pedestal with Legs and Doors - W 750 mm - 0.75 kW
- SLS7** Silverlink 600 Free-standing Floor Stand - for units W 750 mm

Technical Picture



Lincat Limited

Whisby Road,
Lincoln, LN6 3QZ,
United Kingdom

Company No: 2175448

A member company of



Customer Care

Tel: +44 1522 875500
Email: care@lincat.co.uk

Export Customers

Tel: +44 1522 503250
Email: export@lincat.co.uk

Opening Hours

Monday – Friday:
8.30am – 5pm