

robot coupe®



Blixer® 2 • Blixer® 3 D • Blixer® 4 A • Blixer® 4 V.V.A

robot  ***coupe***®

OPERATING INSTRUCTIONS

We reserve the right to alter at any time without notice the technical specifications of this appliance.
None of the information contained in this document is of a contractual nature. Modifications may be made at any time.
© All rights reserved for all countries by: ROBOT-COUBE s.n.c.

SUMMARY

■ WARRANTY

■ IMPORTANT WARNING

■ INTRODUCTION TO YOUR NEW EMULSIFIER-MIXER BLIXER[®] 2 • BLIXER[®] 3 • BLIXER[®] 4 • BLIXER[®] 4 V.V.

■ SWITCHING ON THE MACHINE

- Advice on electrical connections
- Control panel

■ ASSEMBLY

■ USES AND EXAMPLES

■ HYGIENE

■ CLEANING

- Motor unit
- Bowl
- Blade
- Scraper arm

■ MAINTENANCE

- Blade
- Motor seal
- Locking washer assembly
- Scraper arm

■ TECHNICAL SPECIFICATIONS

- Weight
- Dimensions
- Working height
- Noise level
- Electrical data

■ SAFETY

■ STANDARDS

■ TECHNICAL DATA (page 11)

- Exploded views
- Electric and wiring diagrams

ROBOT-COUCPE S.N.C., LIMITED WARRANTY

Your new ROBOT-COUCPE appliance is warranted to the original buyer for a period of one year from the date of sale if you bought it from ROBOT-COUCPE S.N.C.

If you bought your ROBOT-COUCPE product from a distributor your product is covered by your distributor's warranty (Please check with your distributor terms and conditions of the warranty).

The ROBOT-COUCPE S.N.C. limited warranty is against defects in material and/or workmanship.

THE FOLLOWING ARE NOT COVERED BY THE ROBOT-COUCPE S.N.C. WARRANTY:

1 - Damage caused by abuse, misuse, dropping, or other similar damage caused by or resulting from failure to follow assembly, operating, cleaning, user maintenance or storage instructions.

2 - Labour to sharpen and/ or replacements for blades which have become blunt, chipped or worn after a normal or excessive period of use.

3 - Materials or labour to replace or repair scratched, stained, chipped, pitted, dented or discoloured surfaces, blades, knives, attachments or accessories.

4 - Any alteration, addition or repair that has not been carried out by the company or an approved service agency.

5 - Transportation of the appliance to or from an approved service agency.

6 - Labour charges to install or test new attachments or accessories (i.e., bowls, discs, blades, attachments) which have been arbitrarily replaced.

7 - The cost of changing direction-of-rotation of three-phase electric motors (Installer is responsible).

8 - SHIPPING DAMAGES. Visible and latent defects are the responsibility of the freight carrier. The consignee must inform the carrier and consignor immediately, or upon discovery in the case of latent defects.

KEEP ALL ORIGINAL CONTAINERS AND PACKING MATERIALS FOR CARRIER INSPECTION.

Neither ROBOT-COUCPE S.N.C. nor its affiliated companies or any of its distributors, directors, agents, employees, or insurers will be liable for indirect damage, losses, or expenses linked to the appliance or the inability to use it.

The ROBOT-COUCPE S.N.C. warranty is given expressly and in lieu of all other warranties, expressed or implied, for merchantability and for fitness toward a particular purpose and constitutes the only warranty made by ROBOT-COUCPE S.N.C. France.

RECOMMENDATIONS CONCERNING THE INSTALLATION OF VARIABLE-SPEED APPLIANCES AND PERSONAL SAFETY

These recommendations apply to machines equipped with an induction motor and a single-phase wobbulator.

NB :

- The electrical circuit and the protective devices must comply with national regulations.
- The machine must be wired in by a qualified electrician

Protecting your appliance

- Like all electronic devices, wobblators include components that are sensitive to electrostatic discharges (ESDs). Before conducting any work on these wobblators, technicians must therefore rid themselves of electrostatic charges.
- The machine must be disconnected from the mains supply before any internal connection operations are carried out.
- Repeatedly switching on the appliance will cause the wobbulator to overload and may result in its destruction. After the machine has been switched off, you must wait for 3 minutes before switching it back on again.

Wiring


- The appliance requires single-phase* current as far as the wobbulator, which turns the latter into variable-speed three-phase current to supply the motor.

- You must connect the machine to a 200-240 V / 50 or 60 Hz single-phase* alternating current supply with an earthed socket. A higher voltage will destroy the wobbulator.
- The earthed socket ensures operator safety.

Circuit interrupters ensuring user safety

Ground fault circuit interrupters (GFCIs) intended for variable-speed appliances need to be selected with great care in order to ensure operator safety. GFCIs may be sensitive to alternating current (type AC), impulse current (type A) or all currents (type B).

Danger ! Wobblators feature a bridge-connected rectifier of the mains supply voltage. For this reason, in the event of an earth contact, a continuous fault current may fail to trip a differential circuit breaker that is only sensitive to alternating current (type AC).

As the appliance has a single-phase* supply, it is therefore advisable to use a GFCI that is sensitive to impulse current (type A), identified by the following symbol : .

Caution : these GFCIs may go under different names, according to the manufacturer.

Appliances with wobblators produce a fault current on the earth wire. This current may be sufficient to trip the differential circuit breaker unnecessarily. This may occur if :

- Several variable-speed appliances are connected to the same GFCI.
- The appliance produces a fault current that is above the GFCI's actual trip threshold.

Caution : As there are manufacturing tolerances, the actual trip threshold of a GFCI will be between 50% and 100% of its theoretical nominal threshold. Should a problem arise, measure the fault current and the GFCI's actual trip threshold.

You can begin by consulting the characteristics of your appliance in the table below :

Appliance	Mains supply	Conductor Cross-section (mm ²)	GFCI (Ph + N)	
			Gauge (A)	Threshold (mA)
BLIXER® 4 V.V.	200 - 240V 50 or 60 Hz single-phase	1,5	B16	≥ 30

* Except for specific three-phase 200-240 V models sold in Japan.

IMPORTANT WARNING



WARNING: In order to limit accidents such as electric shocks, personal injury or fire, and in order to limit material damage due to misuse of the appliance, please read these instructions carefully and follow them strictly. Reading the operating instructions will help you get to know your appliance and enable you to use the equipment correctly. Please read these instructions in their entirety and make sure that anyone else who may use the mixer also reads them beforehand.

UNPACKING

- Carefully remove the equipment from the packaging and take out all the boxes or packets containing attachments or specific items.
- **WARNING** - some of the tools are very sharp e.g. blade... etc.

INSTALLATION

- We recommend you install your machine on a perfectly stable solid base.

CONNECTION

- Always check that your mains supply corresponds to that indicated on the rating plate on the motor unit and that it can take the amperage.
- The machine must be earthed.
- With the three-phased version, always check that the blade rotates in an anti-clockwise direction.

HANDLING

- Always take care when handling the blades or discs - they are very sharp.

ASSEMBLY PROCEDURES

- Follow the various assembly procedures carefully (see page 7) and make sure that all the attachments are correctly positioned.

USE

- Never try to override the locking and safety systems.
- Never introduce any object into the container where the food is being processed.
- Never push the ingredients down with your hand.
- Do not overload the appliance.
- Never switch the appliance on while it is empty.

CLEANING

- As a precaution, always unplung your appliance before cleaning it.
- Always clean the appliance and its attachments at the end of each cycle.
- Never place the motor unit in water.
- For parts made of aluminum alloys, use cleaning fluids suitable for aluminum.

- For plastic parts, do not use detergents that are too alkaline (i.e., containing too much caustic soda or ammonia...)
- Robot-Coupe can in no way be held responsible for the user's failure to follow the basic rules of cleaning and hygiene.

MAINTENANCE

- Before opening the motor housing, it is absolutely vital to unplug the appliance.
- Check the seals and washers regularly and ensure that the safety devices are in good working order.
- It is particularly important to maintain and check the attachments since certain ingredients contain corrosive agents e.g. citric acid.
- Never operate the appliance if the power cord or plug has been damaged in any way or if the appliance fails to work properly or has been damaged in any way.
- Do not hesitate to contact your local Maintenance Department if something appears to be wrong.

INTRODUCTION TO YOUR NEW EMULSIFIER-MIXER BLIXER® 2 • BLIXER® 3 • BLIXER® 4 • BLIXER® 4 V.V.

ROBOT-COUBE has developed a new concept in appliances: the **BLIXER®**.

The **BLIXER®** combines the features of two well-known appliances: the cutter and the blender-mixer.

The **BLIXER®** is perfectly geared to professional needs. It can perform any number of tasks which you will soon discover as you use it.

The **BLIXER®** will make it easy to prepare mixed liquid or semi-liquid, raw or cooked meals.

The **BLIXER®** replaces the blender which has never been entirely satisfactory because it cannot process solid foods.

Thanks to its simple design, all components requiring frequent handling for maintenance or cleaning can be fitted and removed quickly.

To make things easier for you, this manual gives a breakdown of all the various fitting operations.

This manual contains important information designed to help the user get the most out of the emulsifier-mixer **BLIXER®**.

We therefore recommend that you read it carefully before using your machine.

SWITCHING ON THE MACHINE

• ADVICE ON ELECTRICAL CONNECTION

Before plugging in, check that your power supply corresponds to that indicated on the machine's identification plate.



WARNING

This appliance must be plugged into an earthed socket (risk of electrocution).

• Single phase Blixer® 2 - Blixer® 3 - Blixer® 4

The Blixer® 2 / Blixer® 3 / Blixer® 4 comes with different types of motors:

230 V / 50 Hz

120 V / 60 Hz

220 V / 60 Hz

The machine comes with a single phase plug connected to a power cord.

• Three phase Blixer® 4

The Blixer® 4 comes with different types of motors:

400 V / 50Hz

220 V / 60Hz

380 V / 60Hz

This machine is supplied with a cable to which you simply attach the appropriate electrical plug or isolator for your system. The cable has four wires, one earth wire, plus three phase wires.

If you have a 4-pin plug:

1) Connect the green and yellow earth wire to the earth pin.

2) Connect the three other wires to the remaining pins.

If you have more than 4 pins in the plug, please note the robot-coupe does not require a neutral wire.

Switch on the empty machine, making sure that the blade is rotating properly in an anti-clockwise direction.

If the blade turns in a clockwise direction, swap over two wires.

**GREEN YELLOW is the earth
DO NOT DISCONNECT**

• Single phase Blixer® 4 V.V. (Variable speed):

Blixer® 4 V.V. is available with a single phase motor + variable speed: 230 V / 50 - 60 Hz / 1

The standardized plug must be calibrated to a minimum of 10 amps and preferably 16 amps, if the appliance is used intensively.

• CONTROL PANEL

Red switch = "Stop" switch.

Green switch = "On" switch.

Black switch = Pulse control.

Single phase Blixer® 2/Blixer® 3/Blixer® 4: 1 speed 3000 rpm using 50 Hz and 3600 rpm using 60 Hz.

Three phase Blixer® 4:

Speed selector 1500 or 3000 rpm.

Single phase Blixer® 4 V.V.:

Speed variation from 300 to 3.000 rpm.

ASSEMBLY

1) With the motor unit facing you, make sure that the bowl is straight in relation to the motorshaft, with the bowl handle moved slightly to the left.



2) Turn the bowl handle to the right until the bowl locating plates are securely positioned in their sockets. The handle should now be straight in front of you.

3) Position the blade on the motor shaft and lower it right to the bottom of the bowl.

Make sure that it is correctly positioned, by rotating it in the bowl.



4) Make sure the scraper arm is correctly assembled with the lid and the handle.

5) Place the lid on the bowl and rotate to the right until it clicks



The device is now ready for use.

USES AND EXAMPLES

The BLIXER® will enable you to perform all your cutting tasks in minimum time; we recommend therefore that you keep a close eye on the mixture in order to obtain the desired results.

HOSPITAL USES

SPOON FEEDING

- Minced foods: meat, fish... • Vegetable purees
- Mousses: vegetables, fish... • Compotes of stewed fruit

SEMI-LIQUID FEEDING

This simply entails diluting spoon-feeding preparations:

- Minced meat + gravy • Puree + liquid (broth, milk...)
- Soups / creamed soups • Fruit compotes + syrup or water

LIQUID FEEDING (for use via tubes)

- Soups and any preparations that can be liquidized.

RESTAURANTS AND DELICATESSEN USES:

- Butter mixtures: snail butter, salmon butter, anchovie butter...
- Sauces: green sauce, mayonnaise, remoulade, ailloli, emulsify sauces with tomatoes, cream, parsley...
- Grinding for bisque: lobster, scampi, seashells...

PHARMACEUTICAL AND CHEMICAL LABORATORY USES:

- Grinding: herbs, seeds, powders, tablets....
- Mixing: homogeneization of creams, ointments, mixed components, varied ingredients...

HYGIENE

• WARNING: NEVER USE PURE BLEACH.

- Correctly diluate the detergent following the instructions given by the manufacturer which are generally printed on the packaging.
- If necessary, well rub.
- Let the detergent operate if needed.
- Rinse meticulously.
- Well dry with an unique use cloth.

CLEANING

! WARNING

As a precaution, always unplug your appliance before cleaning it (risk of electrocution).

• MOTOR UNIT

Never immerse the motor unit in water. Clean it with a damp cloth or sponge.

• BOWL

After removing the lid, remove the bowl from the motor unit by rotating it to the left. Pull up to disengage, leaving the blade in the bowl in order to prevent any spillage when working with liquids.

If the food has a solid consistency, remove the blade and empty the bowl.

Replace the bowl, place the blade on the shaft and switch on the machine in order to remove any mixture which may have stuck to the blade.

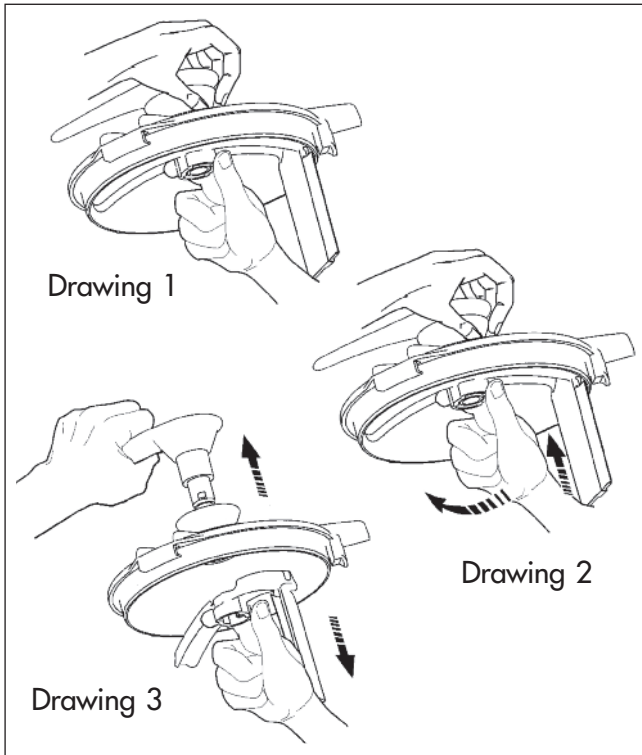
• BLADE

The cap of the blade is removable for easy cleaning.

After cleaning the blade, always dry well to prevent rusting.

• SCRAPER ARM

To clean the scraper arm, dismantle it as follows. Hold the scraper arm in one hand and the hub in the other hand (drawing 1). Press the two pieces one on the other, and turn the handle of 45° anticlockwise (drawing 2). Then it is possible to pull out the two pieces (the scraper arm and the handle) from the lid and clean them (drawing 3).



• MOTOR SEAL

The motor seal around the motor shaft should be lubricated regularly using a food safe lubricant.

In order to keep the motor completely watertight, it is advisable to check the motor seal regularly for wear and tear and replace it if necessary.

The motor seal can be easily replaced without having to remove the motor, so we strongly advise you to ensure that it is in good condition.

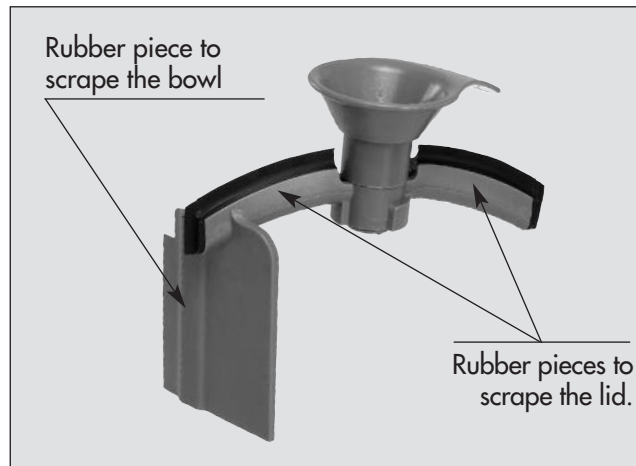
• LOCKING WASHER ASSEMBLY

The locking washer assembly is located on the lower inside of the bowl and holds the bowl in place. If it becomes worn, it needs to be replaced.

• SCRAPER ARM

The scraper arm is equipped with rubber pieces which are wearing parts. They should be replaced occasionally to always ensure an optimum efficiency of the scraper arm.

These pieces are easy to dismantle and to reassemble.



TECHNICAL SPECIFICATIONS

• WEIGHT

	Net	Gross
Blixer® 2	9.8 kg	11 kg
Blixer® 3	14 kg	16 kg
Blixer® 4	15 kg	17 kg
Blixer® 4 V.V.	15 kg	17 kg

• DIMENSIONS (in mm)

Blixer® 2		Blixer® 3		Blixer® 4 Blixer® 4 V.V.	
A	389	A	420	A	480
B	281	B	330	B	304
C	210	C	210	C	226
D	165	D	190	D	255

• WORKING HEIGHT

We recommend that you position the Blixer® on a stable worktop so that the upper edge of the cutter bowl is at a height of between 1.20 and 1.30 m.

• NOISE LEVEL

The equivalent continuous sound level when the Blixer® is operating on no-loads is less than 70 dB (A).



IMPORTANT

Check that your detergent is suitable for cleaning plastic parts. Some washing agents are too alkaline (e.g. high levels of caustic soda or ammonia) and totally incompatible with certain types of plastic, causing them to deteriorate rapidly.

MAINTENANCE

• BLADE

The quality of the cut depends mainly on the sharpness of your blades and the degree of wear. The blades are actually wearing parts, which should be replaced occasionally to ensure consistent quality in the final product.

• ELECTRICAL DATA

Blixer® 2 single phase machine

Motor	Speed (rpm)	Power (W)	Intensity (Amp.)
230 V / 50 Hz	3000	700	7
120 V / 60 Hz	3600	700	13

Blixer® 3 / Blixer® 4 single phase machine

Motor	Speed (rpm)	Power (W)	Intensity (Amp.)
230 V / 50 Hz	3000	750	5.5
120 V / 60 Hz	3600	750	11.0

Blixer® 4 three phase machine

Motor	Speed 1 (rpm)	Speed 2 (rpm)	Power (W)	Intensity (Amp)
400 V / 50 Hz	1500		700	2.0
		3000	1100	2.7
220 V / 60 Hz	1800		700	3.8
		3600	1100	5.2

Blixer® 4 V.V.

Motor	Speed (rpm)	Power (W)	Intensity (Amp.)
230 V / 50 Hz	3000	750	4.8

SAFETY

These models are fitted with a magnetic safety system and a motor brake.

As soon as you open the lid, the motor stops.



WARNING

**The blades are extremely sharp.
Handle with care.**

To restart the machine, simply close the lid and press the green switch.

In order **to avoid splash when processing liquid preparation**, we recommend you to **stop the machine before opening the lid**.

These models are fitted with a **thermal cut-out** which automatically stops the motor if the machine is left on for too long or overloaded.

If this happens, allow the machine to cool completely before restarting.



REMEMBER

Never try to override the locking and safety systems.

Never introduce any object into the container where the food is being processed.

Never push the ingredients down with your hand.

Do not overload the appliance.

STANDARDS

MACHINES IN COMPLIANCE WITH:

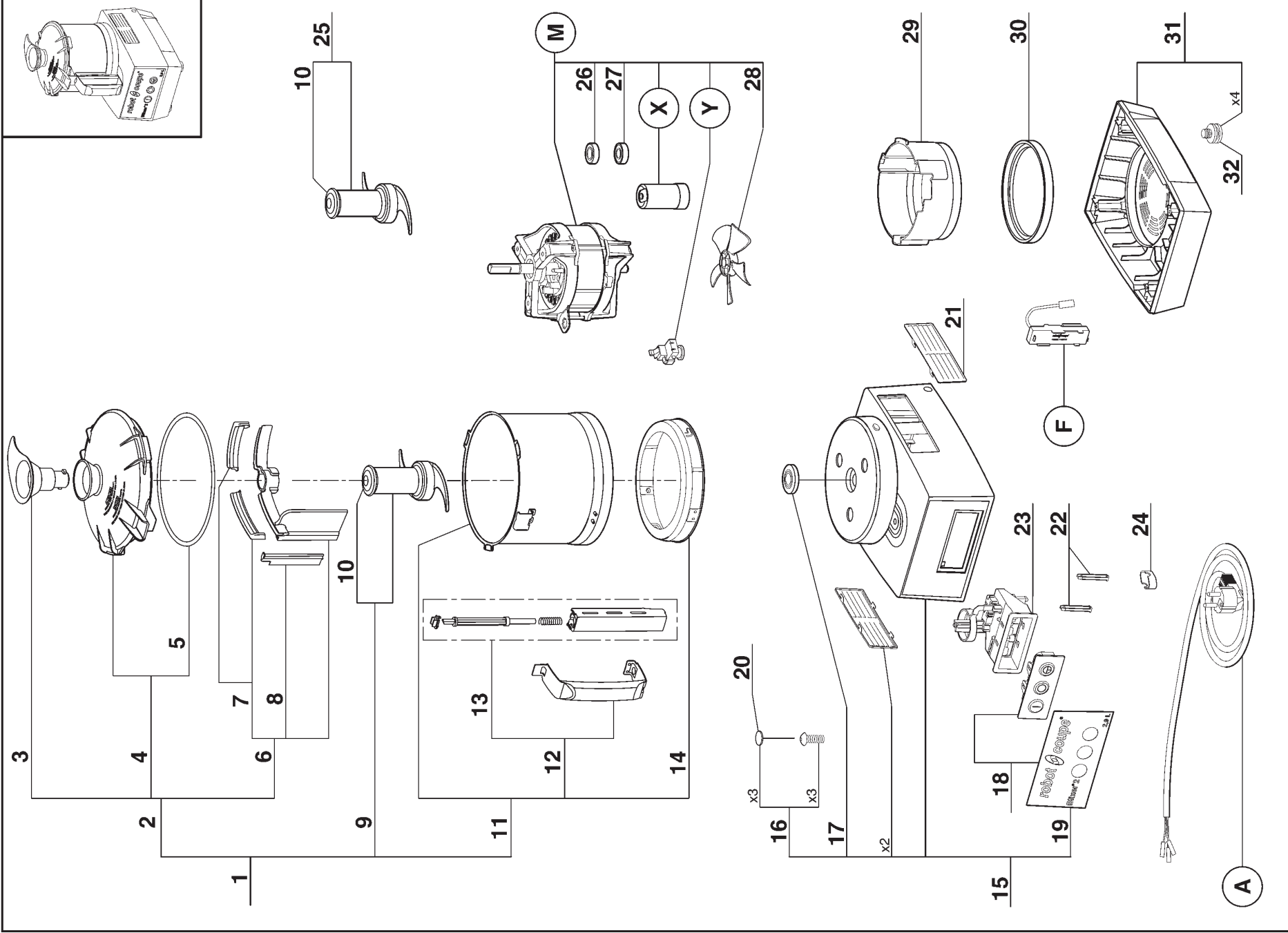
- The following European directives and related national legislation:
 - Modified "machinery" directive 2006/42/EC,
 - "Low voltage" directive 2006/95/EEC,
 - "EMC" directive 2004/108/EC,
 - "Materials and parts in food contact" directive 89/109/EEC,
 - Commission Directive 2002/72/EC of 6 August 2002 relating to plastic materials and articles intended to come into contact with foodstuffs.
- The following European harmonized standards and standards setting out health and safety rules:
 - EN 292 - 1 and - 2,
 - EN 60204 -1 (2006),
 - For Food Processors and blenders : EN 12852.

INDEXES OF PROTECTION:

- IP 55 for the switches.
- IP 34 for the machines.

robot  ***coupe***®

TECHNICAL DATA





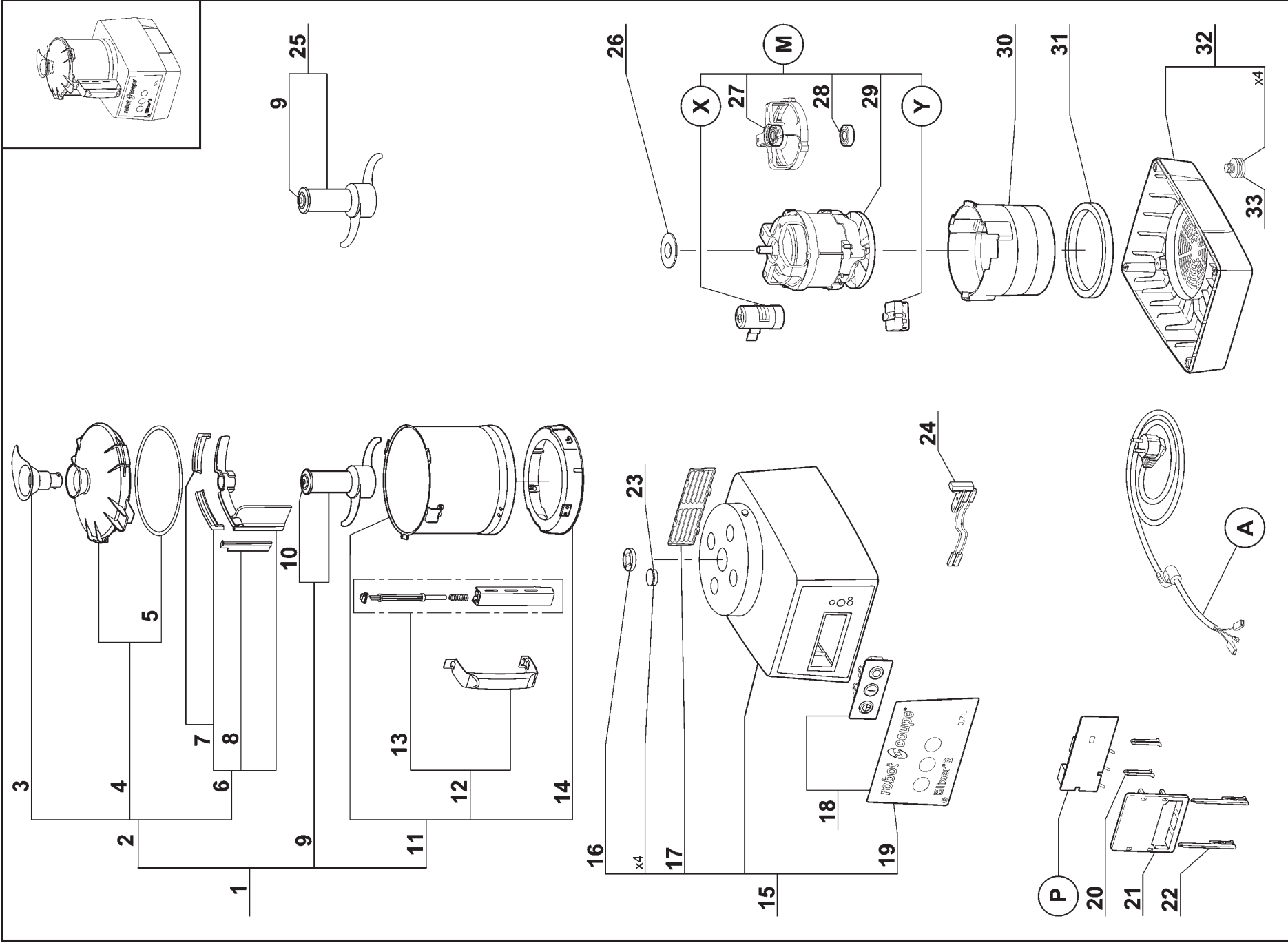
BLIXER[®] 2

N° de série / Serial number
- 526 - - - - -

Index	Pièce / Part	Désignation	Description
1	27 370	CUTTER COMPLET	CUTTER ATTACHMENT
2	39 887	ENS. COUVERCLE	LID ASSEMBLY
3	39 749	ENS. POIGNEE RACLEUR	SCRAPER HANDLE ASSEMBLY
4	39 810	ENS. COUVERCLE + JOINT	LID ASSEMBLY + SEAL ASSEMBLY
5	39 756	ENS. JOINT DE COUVERCLE	LID SEAL ASSEMBLY
6	39 886	ENS. BRAS RACLEUR	SCRAPER ARM ASSEMBLY
7	39 754	ENS. RACLEUR COUVERCLE	LID SCRAPER ASSEMBLY
8	39 885	ENS. RACLEUR CUVE	BOWL SCRAPER ASSEMBLY
9	27 371	COUTEAU DENTE	FINE SERRATED BLADE
10	104 935	CAPUCHON COUTEAU	BLADE CAP
11	39 868	ENS. CUVE	BOWL ASSEMBLY
12	39 867	ENS. POIGNEE CUVE	BOWL HANDLE ASSEMBLY
13	39 866	ENS. TIGE SECURITE	SAFETY ROD ASSEMBLY
14	39 797	ENS. RONDELLE D'ACCROCHAGE	LOCKING WASHER ASSEMBLY
15	39 869	ENS. SUPPORT MOTEUR	MOTOR SUPPORT ASSEMBLY
16	29 200	ENS. VISSERIE SUPPORT MOTEUR	MOTOR SUPPORT SCREWS SET
17	501 010	BAGUE ETANCHEITE	SHAFT SEAL
18	39 871	ENS. TABLEAU COMMANDE	CONTROL PANEL ASSEMBLY
19	39 873	ENS. PLAQUE FRONTALE	FRONT PLATE
20	101 104	CAPSULE CACHE VIS	BOLT COVER
21	104 122	GRILLE VENTILATION	VENTILATION GRID
22	39 876	ENS. CLAVETTE PASTRON	PANEL KEY ASSEMBLY
23	39 877	ENS. SECURITE	SAFETY ASSEMBLY
24	101 106	CAVALIER SERRE CABLE	POWER CORD CLIP
25	27 372	COUTEAU CRANTE	SERRATED BLADE
26	504 229	ROULEMENT MOTEUR SUPERIEUR 6002 2RS	UPPER BALL-BEARING 6002 2RS
27	600 457	ROULEMENT MOTEUR INFERIEUR 6201 2RS	LOWER BALL BEARING 6201 2RS
28	117 610	VENTILATEUR MOTEUR	MOTOR FAN
29	39 878	ENS. CONDUIT VENTILATION	VENTILATION BAFFLE ASSEMBLY
30	39 879	ENS. TAMPON AMORTISSEUR	ABSORBER ASSEMBLY
31	29 905	ENS. SOCLE	BASE ASSEMBLY
32	39 928	ENS. PIED (x4)	FOOT ASSEMBLY (x4)

Index	Désignation	Description
A	CABLE D'ALIMENTATION	POWER CORD
F	MODULE DE FREINAGE	BREAKING MODULE
M	MOTEUR	MOTOR
X	CONDENSATEUR DE DEMARRAGE	STARTING CAPACITOR
Y	RELAIS DEMARRAGE MOTEUR	MOTOR STARTING RELAY

Machine	Voltage	A	F	M	X	Y
33 231 Aust	240/50/1	39 891	39 880	3 161	600 018	500 289
33 232 UK		39 889				
33 230 CH	39 893					
33 229 DK	39 892					
33 228	39 888					
33 233	220/60/1	39 890				
33 234	120/60/1	39 890	3 163	600 089	500 296	
33 235	100/50-60/1	39 890	3 164			





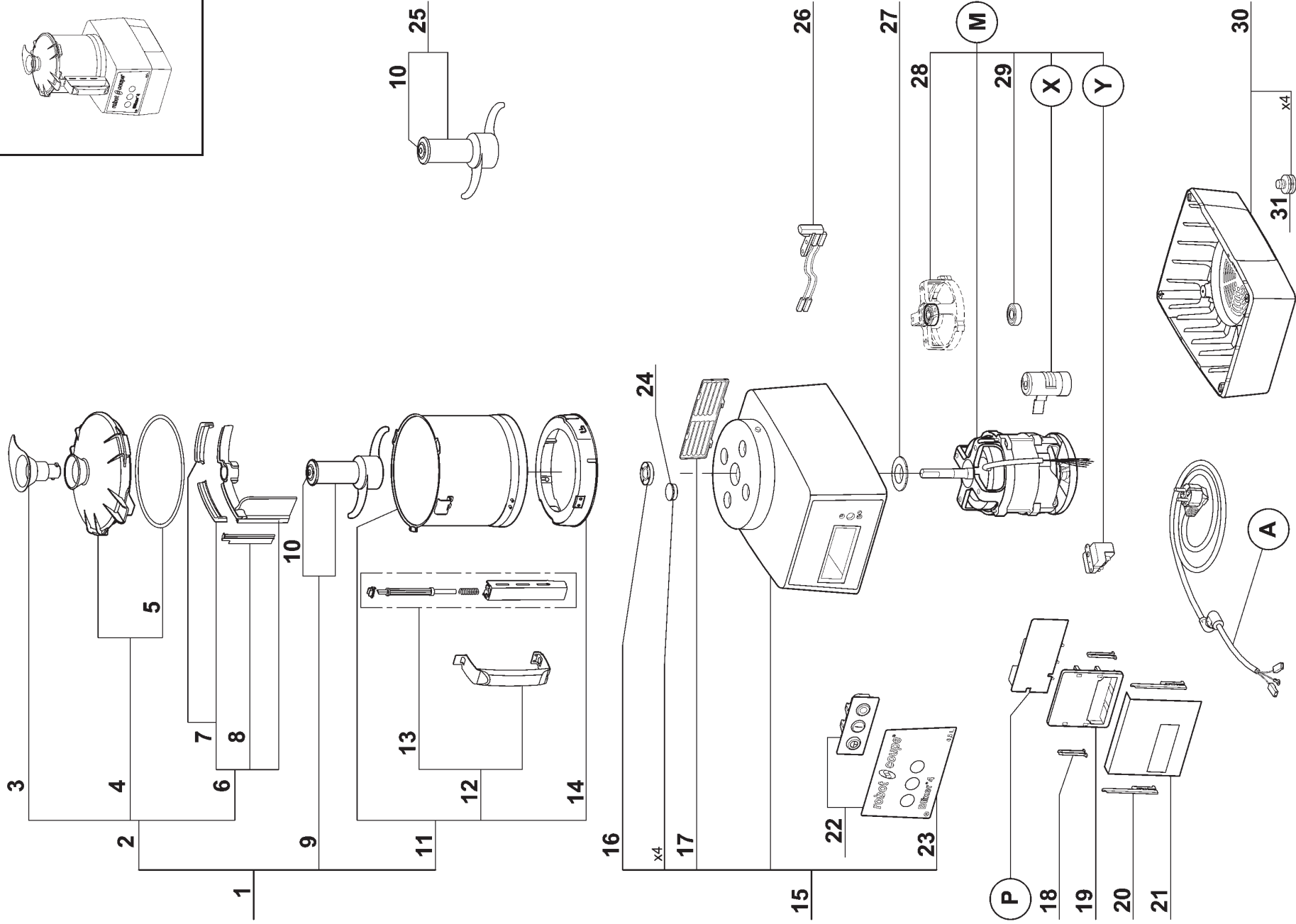
BLIXER[®] 3D

N° de série / Serial number
- 446 - - - - -

Index	Pièce / Part	Désignation	Description
1	27 337	CUTTER COMPLET	CUTTER ATTACHEMENT
2	39 757	ENS. COUVERCLE	LID ASSEMBLY
3	39 744	ENS. POIGNEE RACLEUR	SCRAPER HANDLE ASSEMBLY
4	39 810	ENS. COUVERCLE + JOINT	LID ASSEMBLY + SEAL ASSEMBLY
5	39 756	ENS. JOINT DE COUVERCLE	LID SEAL ASSEMBLY
6	39 755	ENS. BRAS RACLEUR	SCRAPER ARM ASSEMBLY
7	39 754	ENS. RACLEUR COUVERCLE	LID SCRAPER ASSEMBLY
8	39 746	ENS. RACLEUR CUVE	BOWL SCRAPER ASSEMBLY
9	27 347	COUTEAU DENTE	FINE SERRATED BLADE
10	104 935	CAPUCHON COUTEAU	BLADE CAP
11	39 760	ENS. CUVE	BOWL ASSEMBLY
12	39 752	ENS. POIGNEE CUVE	BOWL HANDLE ASSEMBLY
13	39 751	ENS. TIGE SECURITE	SAFETY ROD ASSEMBLY
14	39 797	ENS. RONDELLE D'ACCROCHAGE	LOCKING WASHER ASSEMBLY
15	39 298	ENS. SUPPORT MOTEUR	MOTOR SUPPORT ASSEMBLY
16	501 010	BAGUE ETANCHEITE	SHAFT SEAL
17	104 122	GRILLE VENTILATION	VENTILATION GRID
18	39 299	ENS. TABLEAU COMMANDE	CONTROL PANEL ASSEMBLY
19	39 784	PLAQUE FRONTALE	FRONT PLATE
20	102 913	CLAVETTE PASTRON	PANEL KEY
21	102 911	SUPPORT PLATINE	CONTROL BOARD SUPPORT
22	117 703	CLAVETTE FIXE PLATINE	CONTROL BOARD KEY
23	104 070	CAPSULE CACHE VIS	BOLT COVER
24	29 451	INTERRUPTEUR SECURITE CUTTER	CUTTER SAFETY SWITCH
25	27 348	COUTEAU CRANTE	SERRATED BLADE
26	104 080	CENTREUR MOTEUR	MOTOR CENTRING
27	106 268	ROULEMENT MOTEUR SUPERIEUR AVEC FLASQUE	UPPER BALL-BEARING WITH BRACKET
28	501 270	ROULEMENT MOTEUR INFERIEUR	LOWER BALL-BEARING
29	39 286	VENTILATEUR MOTEUR	MOTOR FAN
30	102 332	CONDUIT VENTILATION	VENTILATION BAFFLE
31	101 099	TAMPON AMORTISSEUR	ABSORBER
32	39 201	ENSEMBLE SOCLE	BASE ASSEMBLY
33	101 082	PIED	FOOT

A	CABLE D'ALIMENTATION	POWER CORD
M	MOTEUR	MOTOR
P	CARTE DE COMMANDE	CONTROL BOARD
X	CONDENSATEUR DE DEMARRAGE	STARTING CAPACITOR
Y	RELAIS DEMARRAGE MOTEUR	MOTOR STARTING RELAY

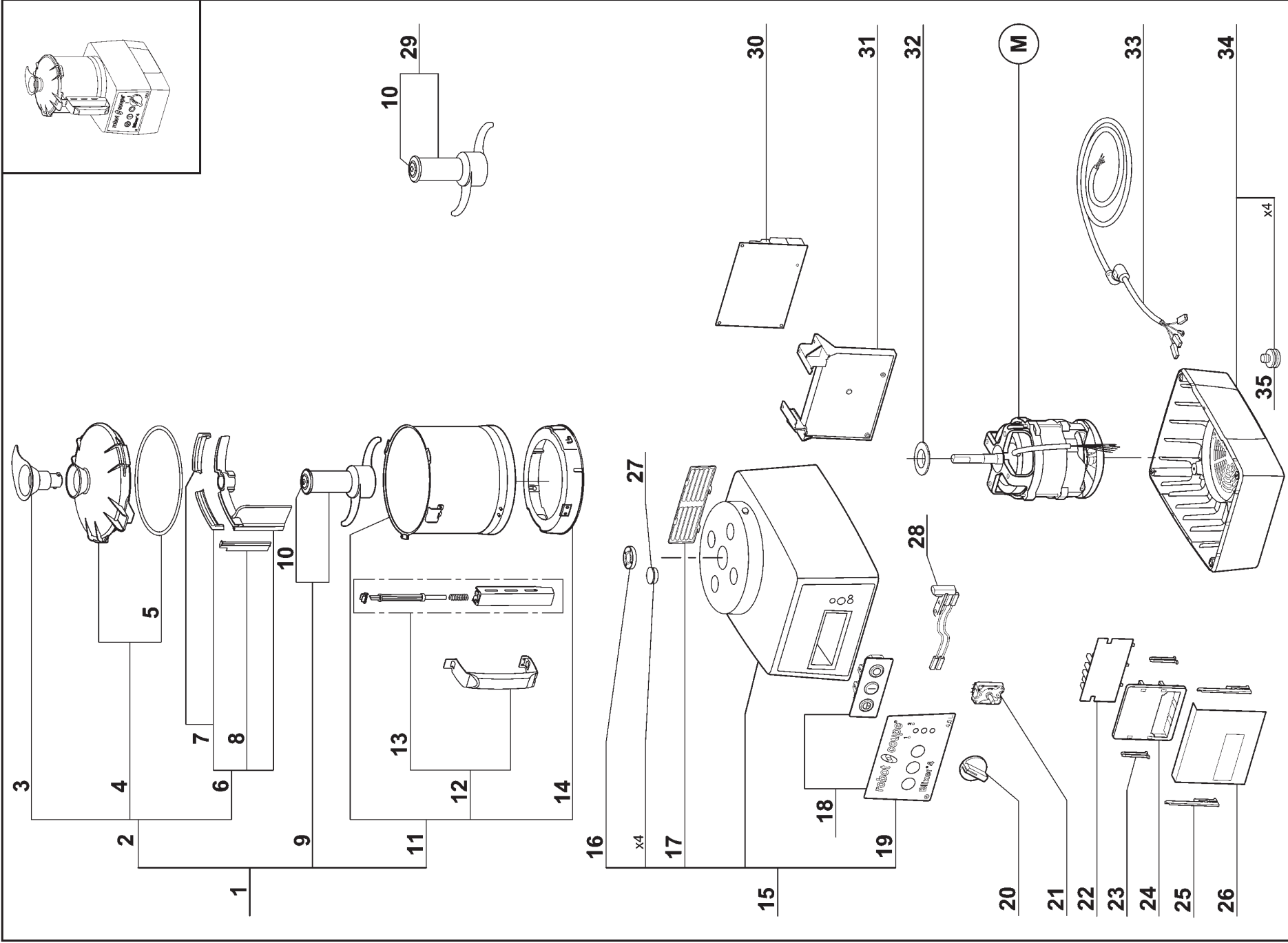
Machine	Voltage	A	M	P	X	Y
33 198 UK	240/50/1	504 275	303 161	103 695	502 474	503 092
33 199 Aust		504 278				
33 207 CH	230/50/1	504 292	303 162	103 694	502 732	508 277
33 200 DK		504 276				
33 197	220/60/1	504 274	303 163	103 694	502 732	508 277
33 201		504 277				
33 202	120/60/1	504 277	303 164	103 694	502 732	508 277
33 206 JAP	100/50-60/1	504 277	303 164	103 694	502 732	508 277



Index	Pièce / Part	Désignation	Description
1	27 338	CUTTER COMPLET	CUTTER ATTACHMENT
2	39 750	ENS. COUVERCLE COMPLET	COMPLETE LID ASSEMBLY
3	39 749	ENS. POIGNEE RACLEUR	SCRAPER HANDLE ASSEMBLY
4	39 741	ENS. COUVERCLE	LID ASSEMBLY
5	39 740	JOINT COUVERCLE	LID SEAL
6	39 748	ENS. BRAS RACLEUR	SCRAPER ARM ASSEMBLY
7	39 747	ENS. RACLEUR COUVERCLE	LID SCRAPER ASSEMBLY
8	39 746	RACLEUR CUVE	BOWL SCRAPER
9	27 349	COUTEAU DENTE	FINE SERRATED BLADE
10	104 935	CAPUCHON COUTEAU	BLAD CAP
11	39 758	ENS. CUVE	BOWL ASSEMBLY
12	39 744	ENS. POIGNEE CUVE	BOWL HANDLE ASSEMBLY
13	39 743	ENS. TIGE SECURITE	SAFETY ROD ASSEMBLY
14	39 745	ENS. RONDELLE D'ACCROCHAGE	LOCKING WASHER ASSEMBLY
15	39 792	ENS. SUPPORT MOTEUR	MOTOR SUPPORT ASSEMBLY
16	501 010	BAGUE ETANCHEITE	SHAFT SEAL
17	104 122	GRILLE VENTILATION	VENT COVER
18	102 913	CLAVETTE PASTRON	PANEL KEY
19	102 911	SUPPORT PLATINE	CONTROL BOARD SUPPORT
20	117 703	CLAVETTE FIXE PLATINE	CONTROL BOARD KEY
21	104 131	ISOLANT PLATINE	CONTROL BOARD INSULATOR
22	39 778	ENS. TABLEAU COMMANDE	CONTROL PANEL ASSEMBLY
23	39 779	PLAQUE FRONTALE	FRONT PLATE
24	104 070	CAPSULE CACHE VIS	BOLT COVER
25	27 350	COUTEAU CRANTE	SERRATED BLADE
26	29 441	ENS. INTERRUPTEUR DE SECURITE	SAFETY SWITCH ASSEMBLY
27	104 080	CENTREUR MOTEUR	MOTOR CENTRING
28	106 268	ROULEMENT SUPERIEUR AVEC FLASQUE	UPPER BALLS-BEARING WITH BRACKET
29	501 270	ROULEMENT INFERIEUR	LOWER BALLS-BEARING
30	39 201	ENS. SOCLE	BASE ASSEMBLY
31	101 082	PIED	FOOT

A	CABLE D'ALIMENTATION	POWER CORD
M	MOTEUR	MOTOR
P	PLATINE	CIRCUIT BOARD
X	CONDENSATEUR	CAPACITOR
Y	RELAIS MOTEUR	RELAY

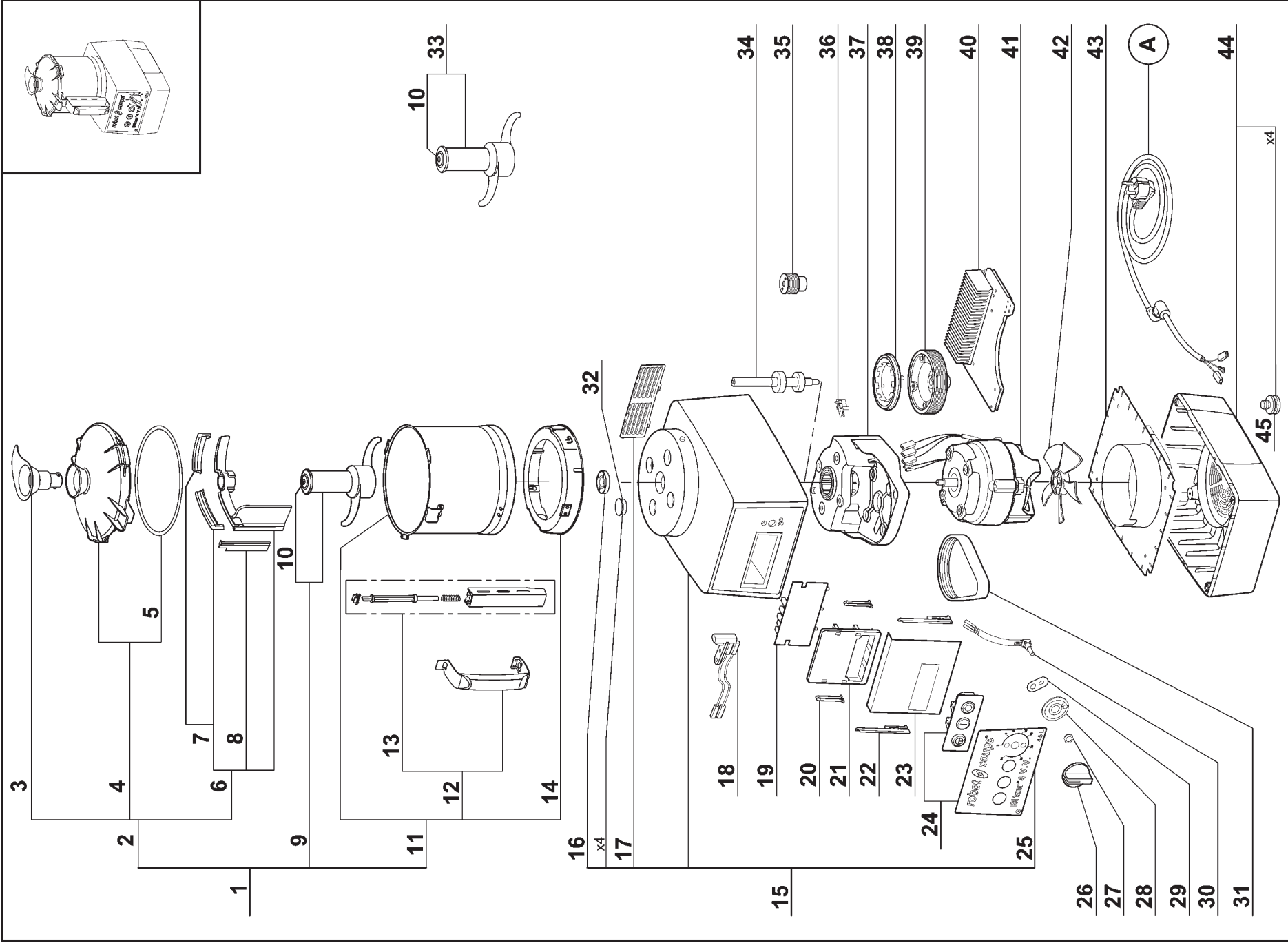
Machine	Voltage	A	M	P	X	Y
33 209 UK	240/50/1	504 275	303 161	103 695	502 474	503 092
33 212 Aust		504 278				
33 214 CH	230/50/1	504 292	303 162	103 694	502 732	514 030
33 213 DK		504 276				
33 208	220/60/1	504 274	303 163	103 694	502 732	508 277
33 211		504 277				
33 210	120/60/1	504 277	303 163	103 694	502 732	508 277



Index	Pièce / Part	Désignation	Description
1	27 338	CUTTER COMPLET	CUTTER ATTACHMENT
2	39 750	ENS. COUVERCLE COMPLET	COMPLETE LID ASSEMBLY
3	39 749	ENS. POIGNEE RACLEUR	SCRAPER HANDLE ASSEMBLY
4	39 741	ENS. COUVERCLE	LID ASSEMBLY
5	39 740	JOINT COUVERCLE	LID SEAL
6	39 748	ENS. BRAS RACLEUR	SCRAPER ARM ASSEMBLY
7	39 747	ENS. RACLEUR COUVERCLE	LID SCRAPER ASSEMBLY
8	39 746	RACLEUR CUVE	BOWL SCRAPER
9	27 349	COUTEAU DENTE	FINE SERRATED BLADE
10	104 935	CAPUCHON COUTEAU	BLAD CAP
11	39 758	ENS. CUVE	BOWL ASSEMBLY
12	39 744	ENS. POIGNEE CUVE	BOWL HANDLE ASSEMBLY
13	39 743	ENS. TIGE SECURITE	SAFETY ROD ASSEMBLY
14	39 745	ENS. RONDELLE D'ACCROCHAGE	LOCKING WASHER ASSEMBLY
15	39 793	ENS. SUPPORT MOTEUR	MOTOR SUPPORT ASSEMBLY
16	501 010	BAGUE ETANCHEITE	SHAFT SEAL
17	104 122	GRILLE VENTILATION	VENT COVER
18	39 768	ENS. TABLEAU COMMANDE	CONTROL PANEL ASSEMBLY
19	39 769	PLAQUE FRONTALE	FRONT PLATE
20	117 805	POIGNEE COMMUTATEUR	COMMUTATOR HANDLE
21	117 792	SELECTEUR DE VITESSE	SPEED SELECTOR
22	101 921	CARTE BOUTONS	CONTROLS BOARD
23	102 913	CLAVETTE PLASTRON	PANEL KEY
24	102 911	SUPPORT PLATINE	CONTROL BOARD SUPPORT
25	117 703	CLAVETTE FIXE PLATINE	CONTROL BOARD KEY
26	104 131	ISOLANT PLATINE	CONTROL BOARD INSULATOR
27	104 070	CAPSULE CACHE VIS	BOLT COVER
28	29 441	ENS. INTERRUPTEUR DE SECURITE	SAFETY SWITCH ASSEMBLY
29	27 350	COUTEAU CRANTE	SERRATED BLADE
30	102 600	PLATINE	CONTROL BOARD
31	117 809	EQUERRE SUPPORT PLATINE	CONTROL BOARD SUPPORT
32	104 079	CENTREUR MOTEUR	MOTOR CENTRING
33	504 282	CABLE D'ALIMENTATION	POWER CORD
34	39 112	ENS. SOCLE	BASE ASSEMBLY
35	101 082	PIED	FOOT

M MOTEUR

M		MOTOR	
Machine	Voltage	M	
33 215	400/50/3	303 145	
33 216	220/60/3	303 146	
33 217	380/60/3	303 147	
33 218	230/50/3	303 144	





BLIXER® 4 V.V.A

N° de série / Serial number
- 476 - - - - -

Index	Pièce / Part	Désignation	Description
1	27 338	CUTTER COMPLET	CUTTER ATTACHMENT
2	39 750	ENS. COUVERCLE COMPLET	COMPLETE LID ASSEMBLY
3	39 749	ENS. POIGNEE RACLEUR	SCRAPER HANDLE ASSEMBLY
4	39 741	ENS. COUVERCLE	LID ASSEMBLY
5	39 740	JOINT COUVERCLE	LID SEAL
6	39 748	ENS. BRAS RACLEUR	SCRAPER ARM ASSEMBLY
7	39 747	ENS. RACLEUR COUVERCLE	LID SCRAPER ASSEMBLY
8	39 746	RACLEUR CUVE	SCRAPER
9	27 349	COUTEAU DENTE	FINE SERRATED BLADE
10	104 935	CAPUCHON COUTEAU	BLAD CAP
11	39 758	ENS. CUVE	BOWL ASSEMBLY
12	39 744	ENS. POIGNEE CUVE	BOWL HANDLE ASSEMBLY
13	39 743	ENS. TIGE SECURITE	SAFETY ROD ASSEMBLY
14	39 745	ENS. RONDELLE D'ACCROCHAGE	LOCKING WASHER ASSEMBLY
15	39 796	ENS. SUPPORT MOTEUR	MOTOR SUPPORT ASSEMBLY
16	501 010	BAGUE ETANCHEITE	SHAFT SEAL
17	104 122	GRILLE VENTILATION	VENT COVER
18	29 441	ENS. INTERRUPTEUR DE SECURITE	SAFETY SWITCH ASSEMBLY
19	102 921	CARTE BOUTONS	CONTROLS BOARD
20	102 913	CLAVETTE PASTRON	PANEL KEY
21	102 911	SUPPORT PLATINE	CONTROL BOARD SUPPORT
22	117 703	CLAVETTE FIXE PLATINE	CONTROL BOARD KEY
23	104 131	ISOLANT PLATINE	CONTROL BOARD INSULATOR
24	39 780	ENS. TABLEAU COMMANDE	CONTROL PANEL ASSEMBLY
25	39 781	PLAQUE FRONTALE	FRONT PLATE
26	117 073	POIGNEE POTENTIOMETRE	POTENTIOMETER HANDLE
27	103 308	ECROU EPAULE POTENTIOMETRE	POTENTIOMETER NUT
28	104 440	BUTEE POTENTIOMETRE	POTENTIOMETER STOP
29	101 551	PLAQUE ANTIROTATION POTENTIOMETRE	POTENTIOMETER ANTI-ROTATING WASHER
30	39 202	POTENTIOMETRE	POTENTIOMETER
31	503 940	COURROIE	BELT
32	104 070	CAPSULE CACHE VIS	BOLT COVER
33	27 350	COUTEAU CRANTE	SERRATED BLADE
34	29 604	ENS. AXE TRANSMISSION	TRANSMISSION SHAFT ASSEMBLY
35	102 924	POULIE MOTRICE	DRIVING PULLEY
36	102 920	CARTE CAPTEUR	SPEED SENSOR
37	104 125	SUPPORT TRANSMISSION	TRANSMISSION SUPPORT
38	102 922	ROUE DENTEE	TOOTHED WHEEL
39	102 923	POULIE RECEPTRICE	LARGE PULLEY
40	102 935	VARIATEUR	VARIATOR
41	303 076	MOTEUR	MOTOR
42	102 934	VENTILATEUR	FAN
43	104 109	DEFLECTEUR	DEFLECTOR
44	39 112	ENS. SOCLE	BASE ASSEMBLY
45	101 082	PIED	FOOT

A CABLE D'ALIMENTATION

POWER CORD

Machine

Voltage

A

33 220		504 279
33 221 UK		504 280
33 222 Aust	200-240/50-60/1	504 285
33 223 DK		504 281
33 224 CH		504 672

Blixer[®]2

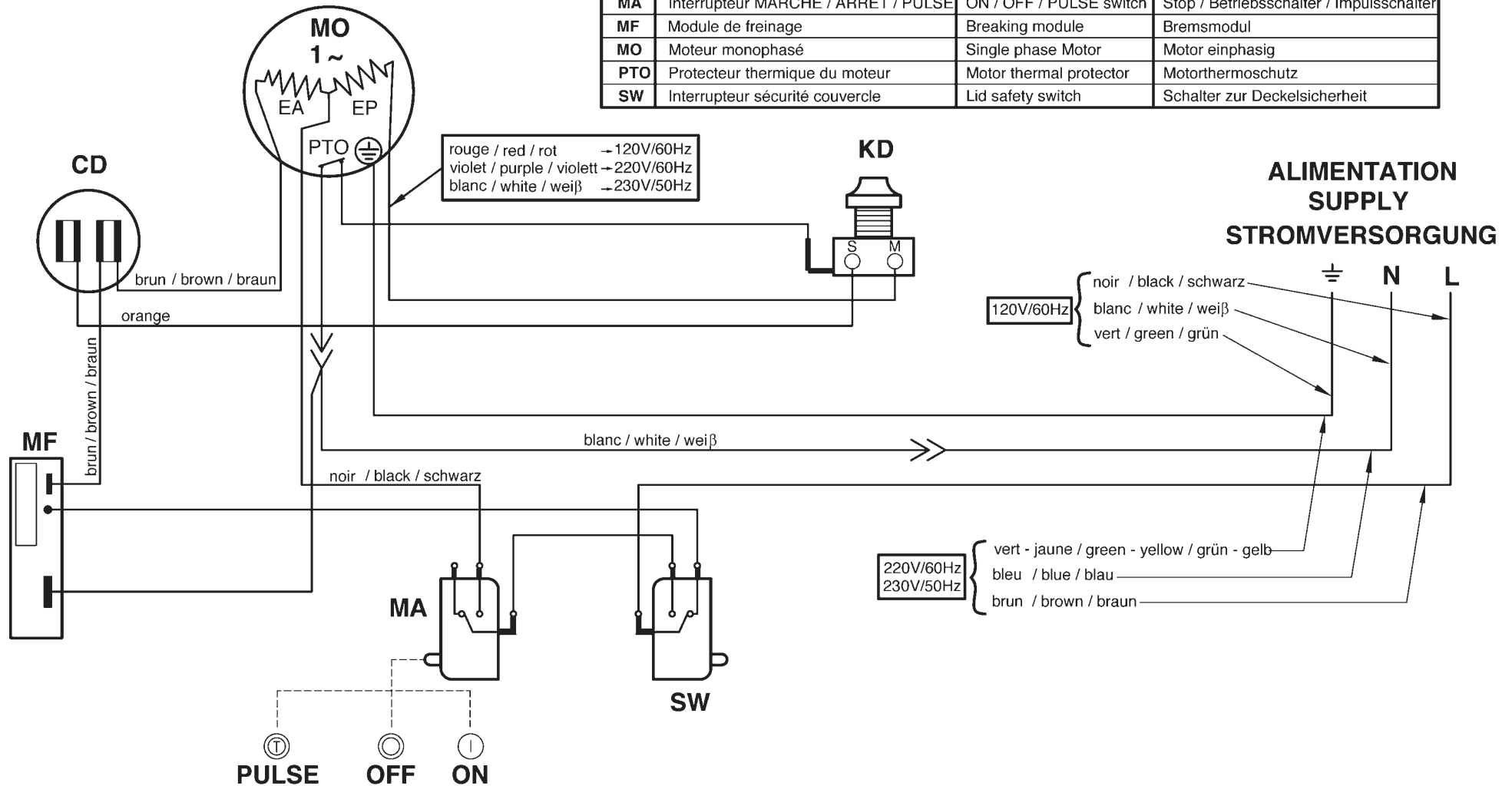
120V/60Hz - 220V/60Hz - 230V/50Hz 1~

SCHEMA ELECTRIQUE

ELECTRIC DIAGRAM

ELEKTRISCHES SCHALTBILD

	Français	English	Deutsch
CD	Condensateur de démarrage	Starting capacitor	Anlasskondensator
EA	Phase auxiliaire	Starting phase	Hilfsphase
EP	Phase principale	Main phase	Hauptphase
KD	Relais de démarrage	Starting relay	Anlassrelais
MA	Interrupteur MARCHÉ / ARRET / PULSE	ON / OFF / PULSE switch	Stop / Betriebsschalter / Impulsschalter
MF	Module de freinage	Breaking module	Bremsmodul
MO	Moteur monophasé	Single phase Motor	Motor einphasig
PTO	Protecteur thermique du moteur	Motor thermal protector	Motorthermoschutz
SW	Interrupteur sécurité couvercle	Lid safety switch	Schalter zur Deckelsicherheit



R3D 3000, Blixer® 3D, Blixer® 4, Blixer® 4A

SCHEMA ELECTRIQUE

ELECTRIC DIAGRAM

ELEKTRISCHES SCHALTBILD

100V/50-60Hz - 120V/60Hz - 220V/60Hz - 230-240V/50Hz 1~

Français	English	Deutsch
CD	Condensateur de démarrage	Starting capacitor
EA	Phase auxiliaire	Starting phase
EP	Phase principale	Main phase
ISCU	Interrupteur sécurité Cutter	Cutter lid safety switch
KD	Relais de démarrage	Starting relay
MO	Moteur monophasé	Single phase motor
PCB	Carte de commande	Control Board
SAR	Bouton poussoir arrêt	Off switch
SMA	Bouton poussoir marche	On switch
SPU	Bouton poussoir impulsion	Pulse switch
θ	Protecteur thermique moteur	Motor thermal protector

vert/green/grün	→	100V/50-60Hz
vert-jaune	→	120V/60Hz
green-yellow/grün-gelb	→	220V/60Hz
	→	230-240V/50Hz

**ALIMENTATION
SUPPLY
STROMVERSORGUNG**

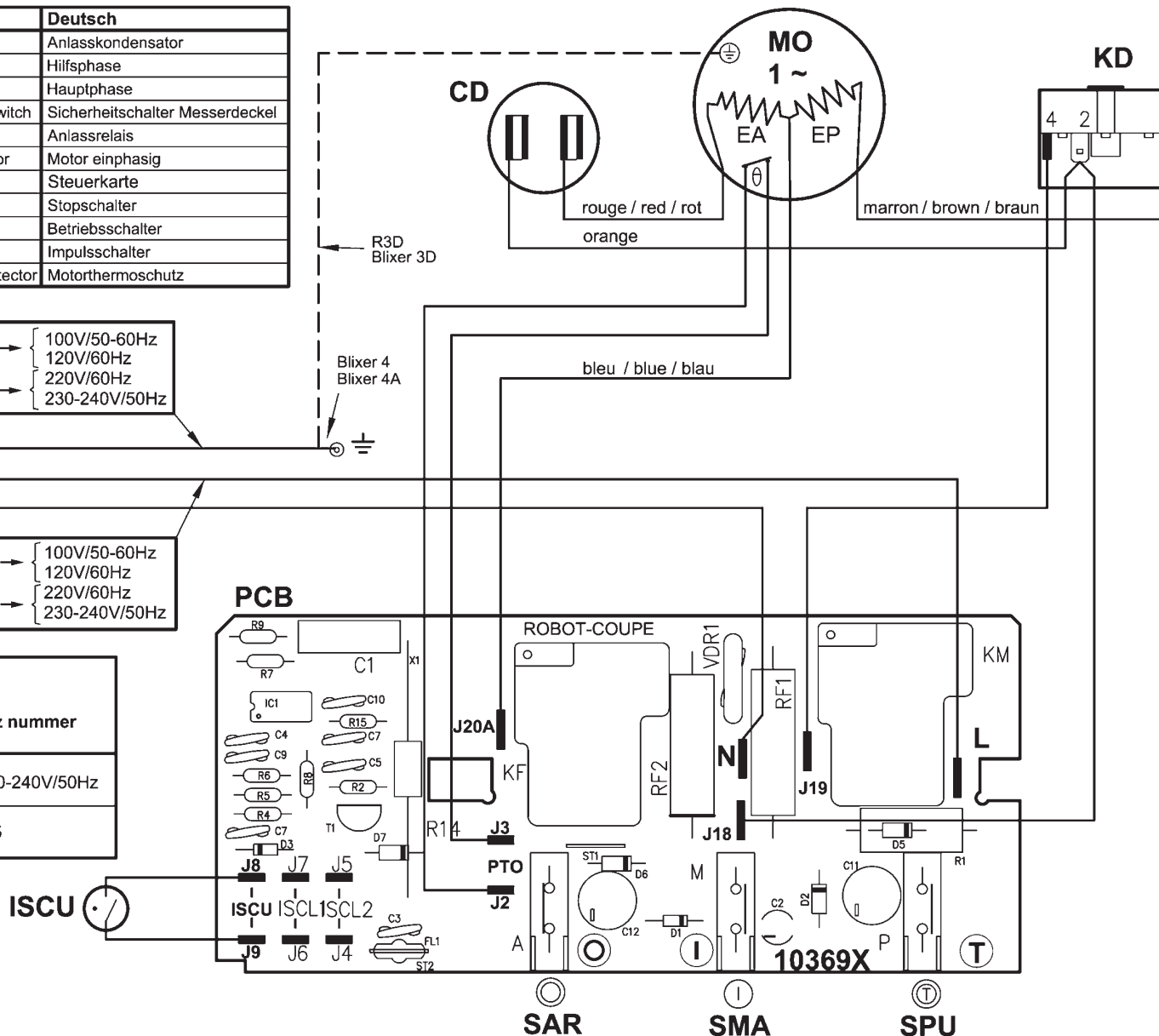


L

N

noir/black/schwarz	→	100V/50-60Hz
	→	120V/60Hz
marron/brown/braun	→	220V/60Hz
	→	230-240V/50Hz

PCB	
N° de référence / Part number / Referenz nummer	
100V/50-60Hz - 120V/60Hz	220V/60Hz - 230-240V/50Hz
103694	103695



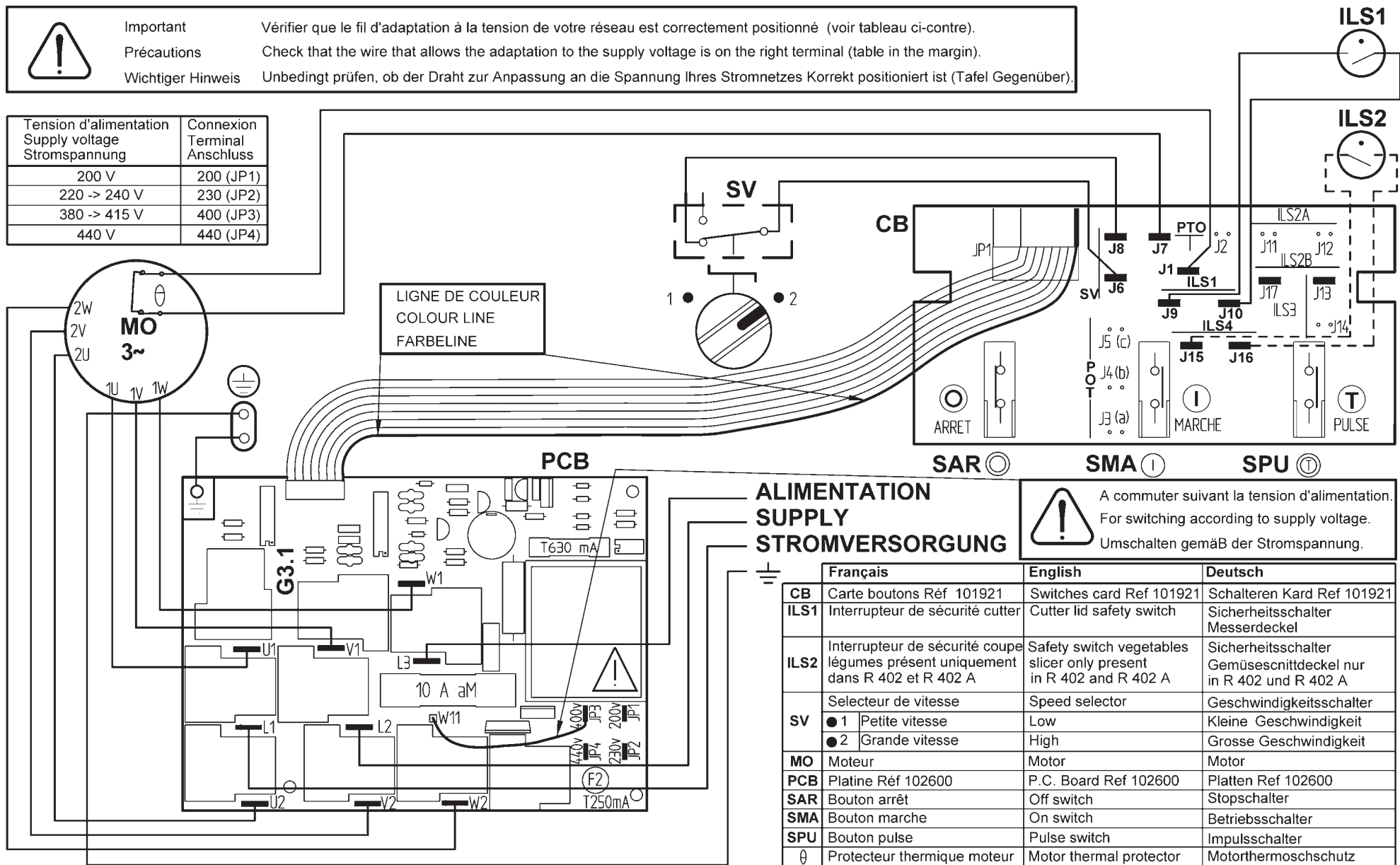
R4-R4 A - Blixer® 4-Blixer® 4 A - R402-R402 A 230V/50Hz - 380-415V/50Hz - 220V/60Hz - 380-415V/60Hz 3~

SCHEMA ELECTRIQUE ELECTRIC DIAGRAM ELEKTRISCHES SCHALTBILD



Important Vérifier que le fil d'adaptation à la tension de votre réseau est correctement positionné (voir tableau ci-contre).
Précautions Check that the wire that allows the adaptation to the supply voltage is on the right terminal (table in the margin).
Wichtiger Hinweis Unbedingt prüfen, ob der Draht zur Anpassung an die Spannung Ihres Stromnetzes Korrekt positioniert ist (Tafel Gegenüber).

Tension d'alimentation Supply voltage Stromspannung	Connexion Terminal Anschluss
200 V	200 (JP1)
220 -> 240 V	230 (JP2)
380 -> 415 V	400 (JP3)
440 V	440 (JP4)

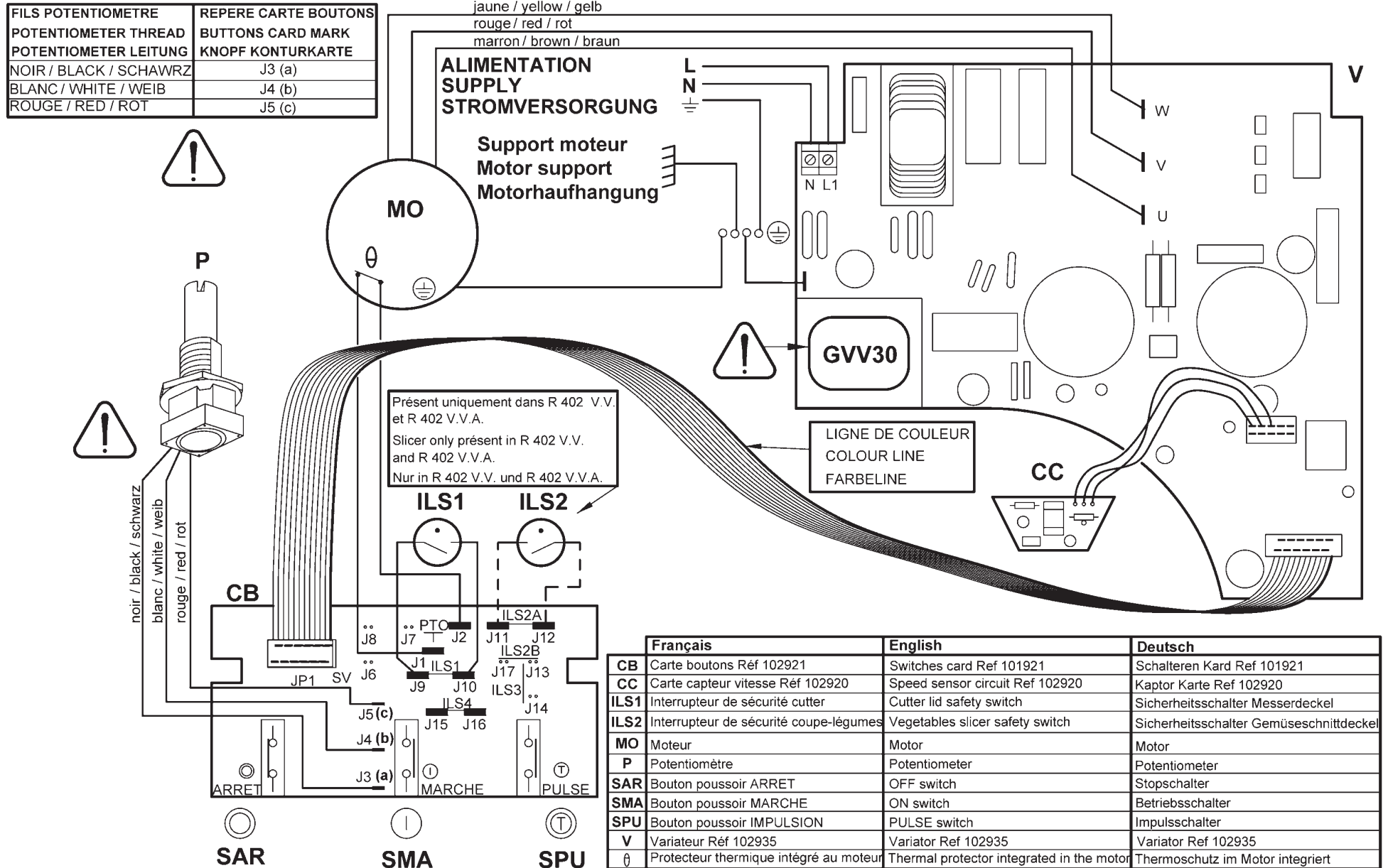


R4 V.V. - R4 V.V.A - Blixer®4 V.V. - Blixer®4 V.V.A - R402 V.V. - R402 V.V.A 200-240V/50-60Hz 1~

SCHEMA ELECTRIQUE

ELECTRIC DIAGRAM

ELEKTRISCHES SCHALTBILD





robot coupe®

FABRIQUÉ EN FRANCE PAR ROBOT-COUBE S.N.C.

**Administration Commerciale France
& Service Après-Vente**

Tél. : 03 85 69 50 00 - Fax : 03 85 69 50 07
12, avenue du Maréchal Leclerc - BP 134
71305 Montceau-en-Bourgogne Cedex
email : france@robot-coupe.fr

**Agence de Service Après-Vente
pour la Région Parisienne**

Tél. : 01 43 98 88 15 - Fax : 01 43 74 36 26
48, rue des Vignerons
BP 157
94305 Vincennes Cedex - France

Export Department

Tel. : + 33 1 43 98 88 33 - Fax : + 33 1 43 74 36 26
48, rue des Vignerons - BP 157
94305 Vincennes Cedex - France
<http://www.robot-coupe.com> - email : international@robot-coupe.com