

ECOMAX PLUS SERIES

GLASSWASHERS

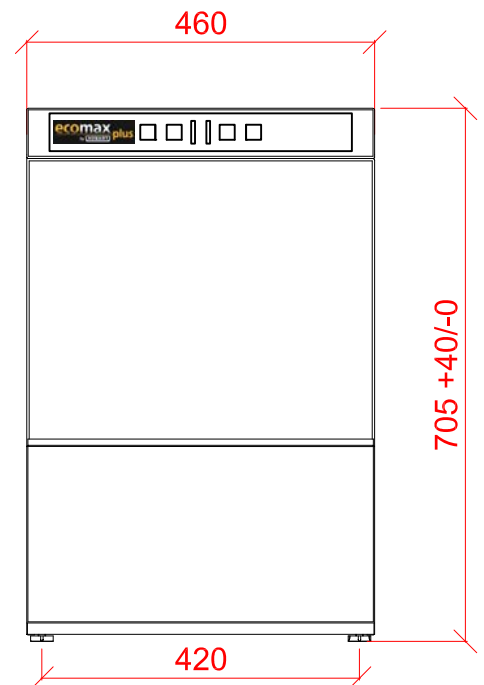
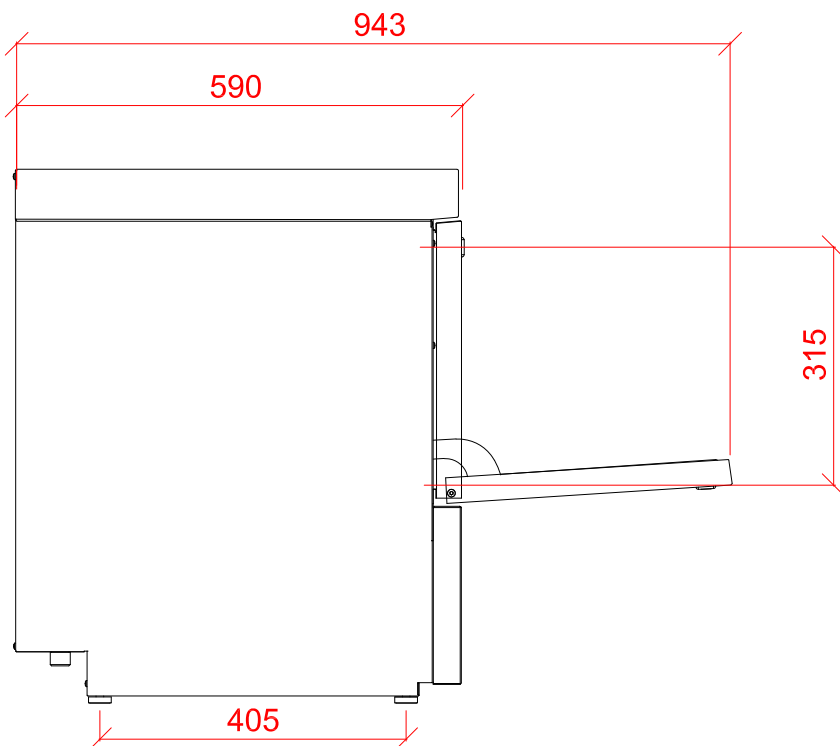
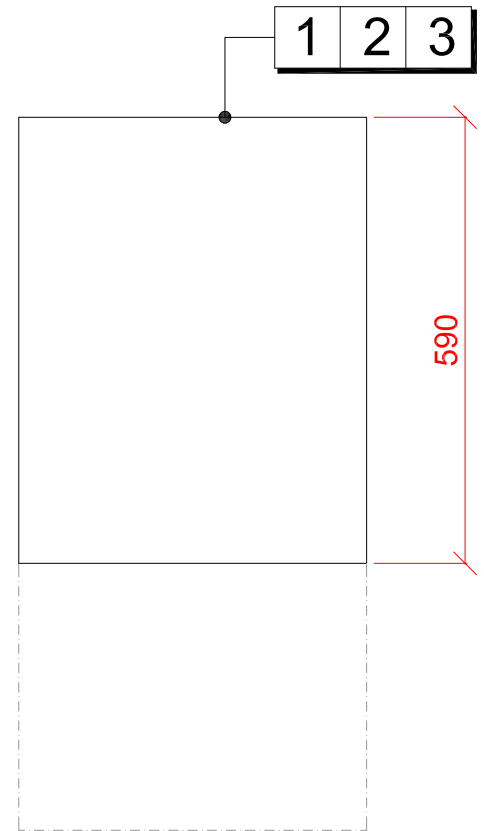


ECOMAX (HOBART UK)
SOUTHGATE WAY,
ORTON SOUTHGATE,
PETERBOROUGH.
PE2 6GN

TEL: 0870 168 8881
www.hobartindependent.co.uk

Undercounter Glasswasher with in built Softener

ECO+G415SW-10C



1 Water

22mm CONNECTION VIA 2 METRE FLEXIBLE HOSE, FEMALE TERMINATION.

WATER SUPPLY 10°C TO 60°C
(2° TO 8° CLARK MAX)@ 0.6 TO 10.0 BAR MAX.
INITIAL TANK FILL 8.0 LITRES.
RINSE WATER USAGE 2.9 LITRES PER CYCLE.
MAX USAGE 60 CYCLES PER HOUR.
OUR MACHINES ARE SUPPLIED WITH CLASS 'AB'
AIR GAP AS STANDARD.

2 Drain

2 METRE FLEXIBLE HOSE TO A 40 mm TRAPPED STANDPIPE 600mm MAX A.F.F.L.

FLOW RATE 30 LITRES PER MINUTE.

Other Services

RINSE AGENT HOSE - 2.5 METRE FLEXIBLE.
DETERGENT HOSE - 2.5 METRE FLEXIBLE.

3 Electric

2.8kW 230/50/1 FUSED AT 16amps CONFIGURABLE TO;
4.0kW 230/50/1 FUSED AT 20 amps or
5.4kW 400/50/3 FUSED AT 13amps.
MACHINE SUPPLIED WITH 1.5 METRES OF CABLE

Notes

APPROX WEIGHTS:
EMPTY: 50kg's WITH WATER: 62.5kg's
+40mm FEET HEIGHT ADJUST

PLOT SCALE: 1:10