

Autofill Countertop 10L



Product Code	069825
Model no.	AFU10CT
EAN Barcode	5011139069825
Product type	Autofill Boiler
Warranty Period	1 years parts and labour

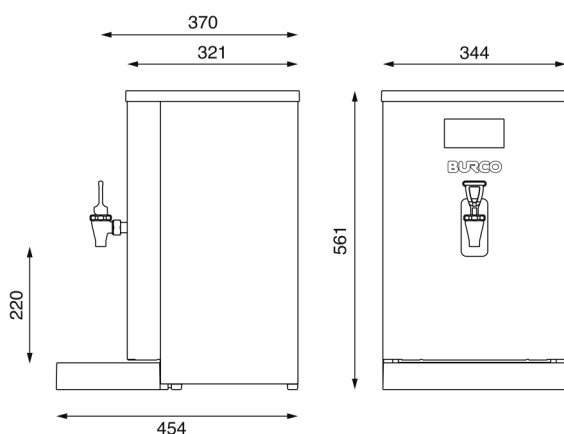
Technical Information

Product Info:	
Filtered	No
Capacity (litres)	10
Packed Dimensions (WxDxH, mm)	432x490x655
Drip Tray Dimensions (WxDxH, mm)	344x195x50
Product Weight (kg)	9.6
Packed Weight (kg)	12.6
Colour	Bright Annealed Stainless Steel & Black
Body Construction / Material	430 Stainless Steel
Tank Construction / Material	304 grade Stainless Steel
Trim and drip tray plastic type	PC ABS
Tap Material type	Plastic
Dual Function Tap	Yes
Safety Standards test	EN60335
Nonslip Feet	Yes
Boil Dry cut-out	Yes
Performance:	
Heat up Time to 98°C (minutes)	34
Rapid Draw off—Litres	11.5
Rapid Draw off—Pints	20.2
Rapid Draw off—Cups	75
Output per Hr—Litres	31
Output per Hr—Pints	55
Output per Hr—Cups	206
Recovery Per min—Litres	0.5
Recovery Per min—Pints	0.88
Recovery Per min—Cups	3.3
Heat up time 70°C—98°C (minutes)	10
Cool down time 98°C—70°C (minutes)	450
Standard power consumption (kW/hr)	0.12
Installation:	
Hard wiring required	No
UK fitted plug	Yes
Cable length (m)	1.5
Water feed pipe length (m)	2
Max. water inlet pressure (bar)	8
Element power rating	2.8
Phase type	Single
Nominal voltage	230V 50-60Hz
Electrical supply current (A)	13
Water inlet connection fitting	3/4" BSP

Water Boiler Features

- Simple to install and easy to use.
- Will dispense upto 206 cups per hour / 31 litres, with 11.5 litre rapid draw-off.
- Easy to access tank for cleaning and descaling.
- 220mm tap height from tray.
- LED light for descale warning
- Affordable and cost effective.
- Tough plastic drip tray, easy to empty and clean, with drain outlet for optional waste water connection.
- Easy clean stainless steel casing

Dimensions (mm)



Glen Dimplex Heating & Ventilation, Millbrook House, Grange Drive, Hedge End, Southampton, SO30 2DF