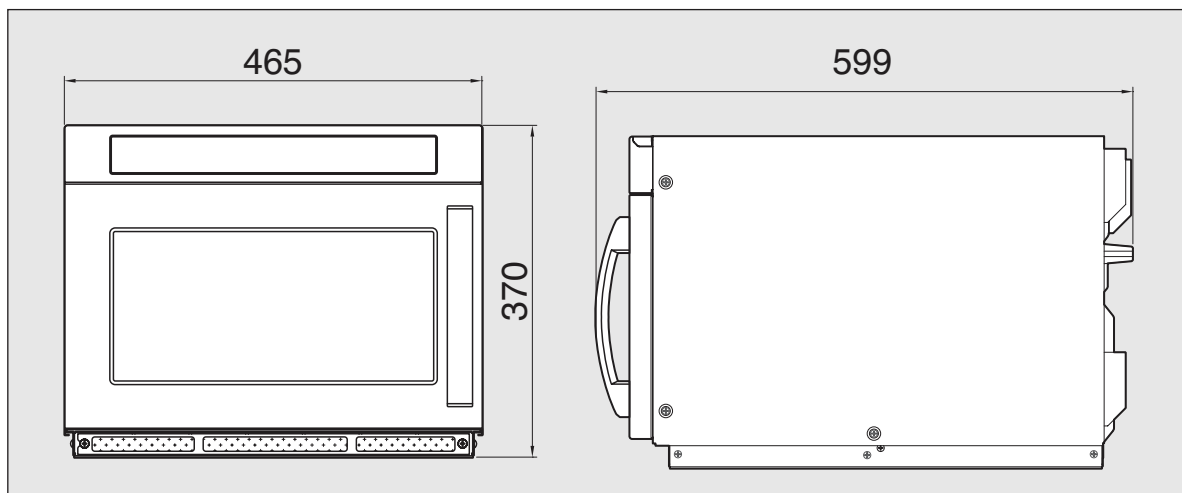


SPECIFICATIONS

MODEL		KOM-9F85	KOM-9F50
POWER SUPPLY		240V AC 50Hz SINGLE PHASE WITH EARTHING	
MICROWAVE	POWER CONSUMPTION	3000W	2600W
	OUTPUT POWER	1850W	1500W
	FREQUENCY	2450MHz	2450MHz
NET. WEIGHT		APPROX. 34kg (75.1lbs)	APPROX. 32.5kg (71.7lbs)
OUTSIDE DIMENSIONS (W X H X D)		465 X 370 X 599 mm (18.31 X 14.57 X 23.58 in.)	
CAVITY DIMENSIONS (W X H X D)		371 X 198.5 X 372 mm (14.61 X 7.81 X 14.66 in.)	
TIMER		60 min.	
POWER SELECTIONS		5 LEVELS	

* Specifications are subject to change without notice.



IMPORTANT

The wires in this mains lead fitted to this appliance are coloured in accordance with the following code.

Green-and-yellow : Earth
 Blue : Neutral
 Brown : Live

As the colours of the wires in the mains lead of this appliance may not correspond with the coloured markings identifying the terminals in your plug, proceed as follows: the wire which is coloured green-and-yellow must be connected to the terminal in the plug which is marked with the letter 'E', the earth symbol or coloured green-and-yellow. The wire which is coloured blue must be connected to the terminal which is marked with the letter 'N' or coloured black.

The wire which is coloured brown must be connected to the terminal which is marked with the letter 'L' or coloured red.

WARNING: This appliance must be earthed.