



## Assembly Instructions

### Centre Tables and Wall Benches

L6009WB, L6012WB, L6015WB, L6018WB,  
L6506WB, L6509WB, L6512WB, L6515WB,  
L6518WB, L6506CT, LC509CT, L6512CT,  
L6515CT, L6518CT

Please make a note of your product details for  
future use:

Date Purchased: \_\_\_\_\_

Model Number: \_\_\_\_\_

Serial Number: \_\_\_\_\_

Dealer: \_\_\_\_\_

\_\_\_\_\_

# CONTENTS

Important Information	2
Safety Information	3
Checklist of Enclosures	3
Assembly	3-5
Cleaning	5
Service Information and Guarantee	6

## IMPORTANT INFORMATION

---



Read these instructions carefully before using this product, paying particular attention to all sections that carry warning symbols, caution symbols and notices. Ensure that these are understood at all times.

---



### **WARNING!**

This symbol is used whenever there is a risk of personal injury.

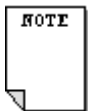
---



### **CAUTION!**

This symbol is used whenever there is a risk of damaging your Lincat product.

---



### **NOTE:**

This symbol is used to provide additional information, hints and tips.

---

**KEEP THIS MANUAL FOR FUTURE REFERENCE**

## SAFETY INFORMATION



To prevent either injury to yourself or your staff or damage to this product, read and follow these safety precautions before setting up and using this bench.

Ensure you have a clear space to work in.

Remove all plastic coating from metalwork prior to assembly.

Clean the bench before use.

## CHECK LIST OF ENCLOSURES

Consult Fig 1

Description	Code	Models up to 1500mm	1800mm
Top	G	1	1
Shelf	E	1	2
Leg	F	4	6
Leg clamp	A1	4	6
M8 x 16 Set screw	B1	8	12
M8 Washer	B3 A2 D4	16	24
M8 Lock washer	B2 A3 D3	16	24
M8 Nut	A4 D2	8	12
M5 x 10 Set screw	C4	N/A	2
M5 Washer	C3	N/A	2
M5 Lock washer	C2	N/A	2
M5 Nut	C1	N/A	2
M8 Adjustable foot	D1	4	6

## ASSEMBLY

Tools required  
13mm spanner  
8mm spanner

Consult Fig 1

Place table top upside down at a convenient height.

Fit the feet to the legs with locknut, lock washer and washer (detail D).

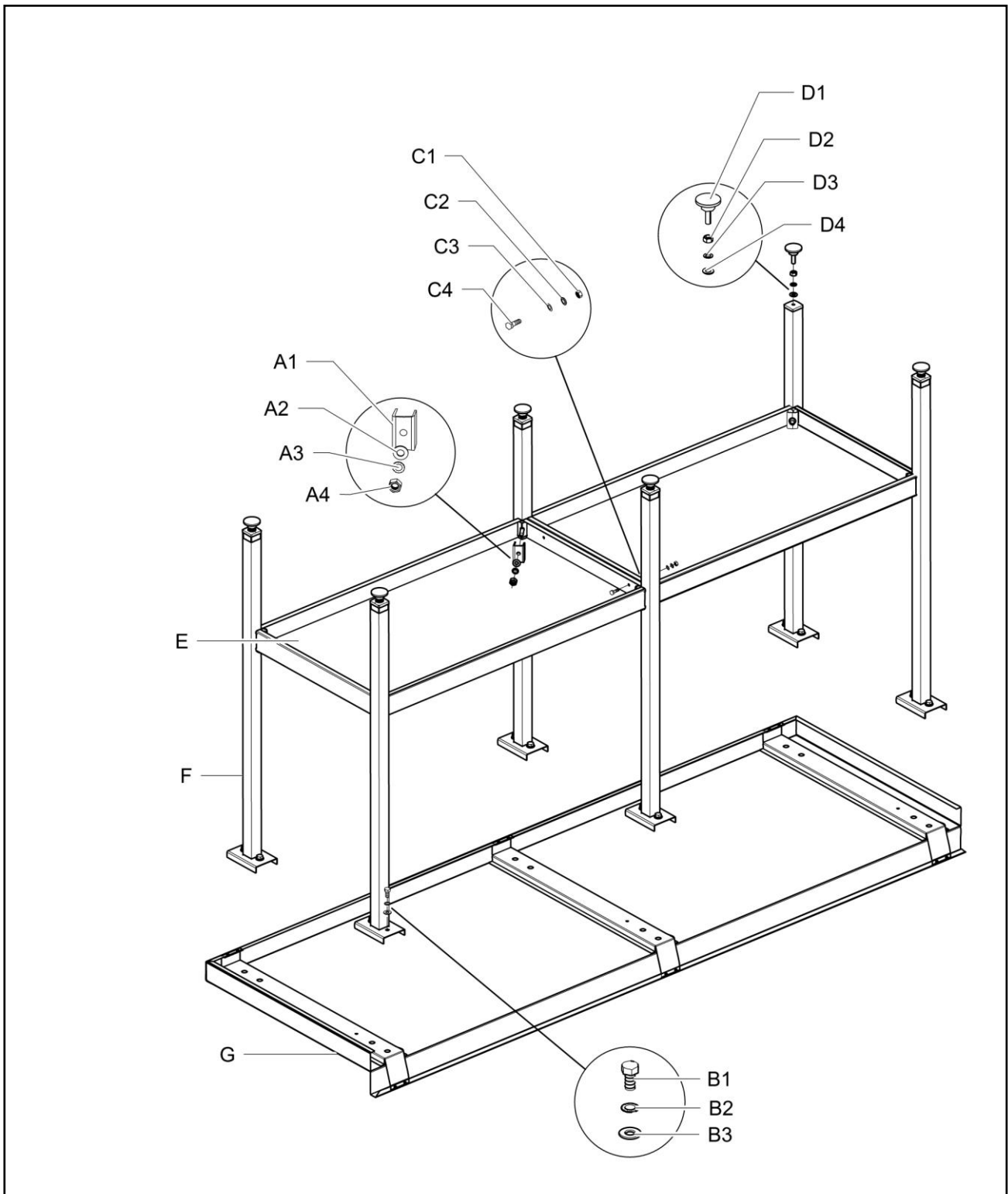


Fig 1

Place one leg at a time in position as shown. Do not tighten bolts fully, but leave loose to enable the shelf to be positioned over the splayed leg shelf studs (detail B).

Position the shelf in place, retaining with leg clamps, flat washers, locking washers and nuts (detail A).

1800mm benches have split shelves. The 2<sup>nd</sup> shelf fastens to the first shelf with 5mm screws, flat washers, locking washers and nuts (detail C).

Tighten all screws and nuts, tightening the M5 fasteners last.

Place the bench in position, level the feet and lock off with the locknuts.

## **CLEANING**

Clean all panels with warm water and mild detergent, do not use abrasive materials. Dry with a soft cloth.

# SERVICE INFORMATION

For help with the installation, maintenance and use of your **Lincat** equipment, please contact our service department:

**☎ UK: 01522 875520**

For non-UK customers, please contact your local Lincat dealer

All service work, other than routine cleaning should be carried out by one of our authorised service agents. We cannot accept responsibility for work carried out by other persons.

To ensure your service enquiry is handled as efficiently as possible, please tell us:

- Brief details of the problem
  - Product code
  - Type number
  - Serial number
- } All available on serial plate

Lincat reserve the right to carry out any work under warranty, given reasonable access to the appliance, during normal working hours, Monday to Friday, 08:30 to 17:00.

## GUARANTEE

This unit carries a comprehensive UK mainland 2 year warranty. The guarantee is in addition to, and does not diminish your statutory or legal rights.

The guarantee does not cover:

- Accidental damage, misuse or use not in accordance with the manufacturer's instructions
- Consumable items (such as filters, glass, bulbs, slot toaster elements and door seals.)
- Damage due to incorrect installation, modification, unauthorised service work or damage due to scale, food debris build-up, etc.

The manufacturer disclaims any liability for incidental, or consequential damages. Attendance is based on reasonable access to the appliance to allow the authorised technician to carry out the warranty work.

Service calls to equipment under warranty will be carried out in accordance with the conditions of sale. Unless otherwise specified, a maximum of 15 minutes of administrative time, not spent directly carrying out servicing work, is provided for within the warranty. Any requirement for staff attending the call to spend greater time than 15 minutes due to administrative requirements, such as on health and safety risk assessments, will be chargeable at the prevailing rate.