



Electrolux

Food Processor Cutter Mixer 5.5 LT - Variable Speed - UK Plug

ITEM # _____

MODEL # _____

NAME # _____

SIS # _____

AIA # _____



Food Processor

Cutter Mixer 5.5 LT - Variable Speed - UK Plug

603714 (K55VVEG)

Cutter mixer 5,5 lt bowl capacity, variable speed 300 to 3700 rpm. Supplied with micro toothed blade rotor and stainless steel bowl (UK)

Short Form Specification

Item No.

2 in 1 machine: table-mounted cutter and emulsifier thanks to the ergonomic and easily dismantable scraper, in heavy duty composite material, for liquidising, mixing and mincing in a matter of seconds. Stainless steel 5,5 litre bowl with high chimney to increase the real capacity of the bowl (use up to 75% of nominal capacity). Unique bowl design for mixing both large or small quantities. Transparent lid to check consistency of food and to eventually add ingredients without having to open the lid. Hinged cover, when lifted, remains open to permit a fast and easy check of preparation. Micro toothed blades in 420 AISI stainless steel. All parts are easily dismantled and dishwasher safe. Multiple safety devices ensure the machine will only operate when the cover is properly closed and all parts are correctly positioned. Flat and waterproof control panel with on/off button, pulse function and variable speed (from 300 to 3700 rpm). Possibility to upgrade to a combi machine just adding the vegetable slicer attachment. UK plug

Main Features

- Kit to convert food processor into vegetable slicer available as accessory.
- Table-mounted robust cutter and emulsifier allows fast liquidizing, mixing, chopping, mincing, and pastry-making.
- Flat and waterproof control panel with on/off button and pulse function.
- Microswitch and safety devices on handle, lid and bowl.
- Emulsifier function (scraper) included as standard.
- Lid with central opening to add ingredients in mid-cycle.
- All parts in contact with food are removable without the use of tools, completely dismantable and dishwasher safe.
- Pulse function to coarse chopping.
- Base fixed cover for a better handling.
- Productivity suitable for 50-100 meals per service.

Construction

- Stainless steel 5.5 liter bowl has a high chimney to ensure high productivity also when processing liquids (75% of the nominal capacity).
- Variable speed from 300 to 3700 rpm.
- Microtoothed blades in 420 AISI stainless steel and ergonomic scraper in high resistant composite material to ensure consistent mixing.
- Transparent lid incorporates a magnetic contact safety system.

Included Accessories

- 1 of Microtoothed blade rotor for PNC 5,5 lt cutter mixer 653582
- 1 of Stainless steel bowl, 5,5 lt PNC capacity 653590
- 1 of Lid and bowl scraper for 5,5 PNC lt cutter mixer 653591

Optional Accessories

- Microtooth blade rotor (emulsifier) for 5,5 lt cutter mixer PNC 650040
- Smooth blade rotor for 5,5 lt cutter mixer PNC 653581
- Microtoothed blade rotor for 5,5 lt cutter mixer PNC 653582
- Stainless steel bowl, 5,5 lt capacity PNC 653590
- Lid and bowl scraper for 5,5 lt cutter mixer PNC 653591
- Kit to convert variable speed food processor into vegetable slicer (incl. stainless steel hopper, manual lever, cutting chamber, ejector and adjustable base) PNC 653594
- Smooth blade rotor (emulsifier) for 5,5 lt cutter mixer PNC 653665

APPROVAL: _____



Electrolux

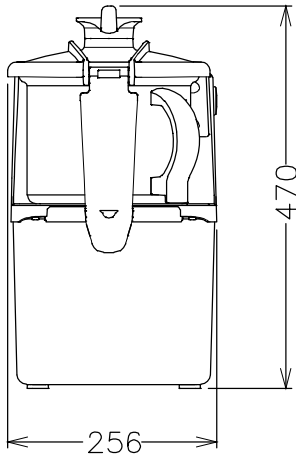
Cutter Mixer 5.5 LT - Variable Speed - UK Plug
Food Processor



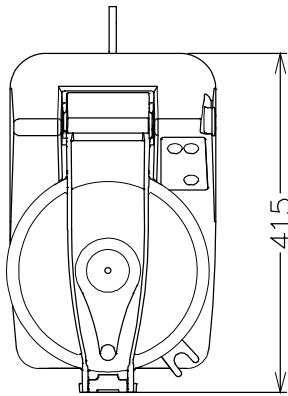
Electrolux

**Food Processor
Cutter Mixer 5.5 LT - Variable
Speed - UK Plug**

Front

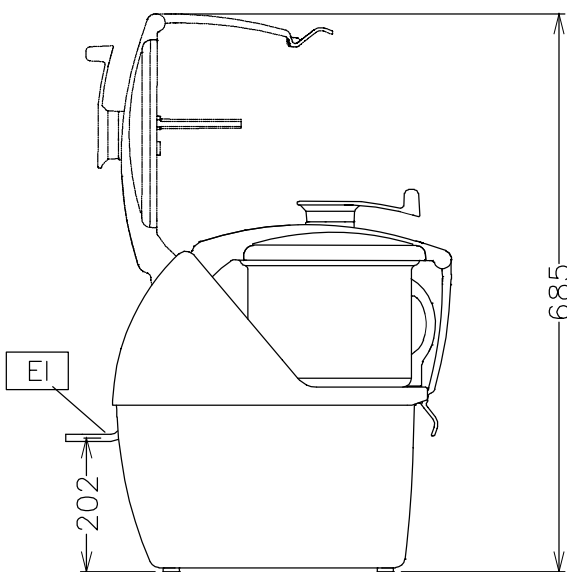


Top



EI = Electrical connection
EQ = Equipotential screw

Side



Electric

Supply voltage:	
603714 (K55VVEG)	200...240 V/1N ph/50/60 Hz
Electrical power:	1.3 kW
Total Watts:	1.3 kW

Capacity

Performance (up to):	2.5 - kg/Cycle
Capacity	5.5 liter

Key Information

External dimensions, Height	470 mm
External dimensions, Width	256 mm
External dimensions, Depth	415 mm
Shipping weight:	26 kg



**Food Processor
Cutter Mixer 5.5 LT - Variable Speed - UK Plug**

The company reserves the right to make modifications to the products without prior notice. All information correct at time of printing.