



# Electrolux

## Planetary Mixers Planetary Mixer, 5 lt - Electronic with Hub, White with UK Plug

ITEM # \_\_\_\_\_

MODEL # \_\_\_\_\_

NAME # \_\_\_\_\_

SIS # \_\_\_\_\_

AIA # \_\_\_\_\_



Planetary Mixers

Planetary Mixer, 5 lt - Electronic with Hub,  
White with UK Plug

**600191 (EMX5BWHG)**

Emix planetary mixer white, 5 liters, bowl detection device, electronic variable speed with K type accessory hub. Equipped with stainless steel semi spiral hook, paddle and whisk and highly resistant splashguard - BPA free - UK

### Short Form Specification

**Item No.** \_\_\_\_\_

Suitable for all kneading, blending and whipping operations. Metal body and large base for complete stability. 5,5 litre capacity 18/10 (AISI 304) stainless steel bowl with 2 handles. Universal motor with electronic speed variation from 40 to 240 rpm (planetary movement), driving the whisk up to 500 rpm. Removable and dismantled solid safety screen - made of a bisphenol-A free (BPA) copolyester - activates the raising and lowering of the bowl. Equipped with accessory drive hub type k (accessories are not included). Bowl detection device allows the mixer to switch on only when the bowl and the safety screen are properly installed and positioned together.

Supplied with 3 stainless steel tools: semi-spiral hook, paddle and whisk.

Delivered with UK plug.

### Main Features

- Small, compact planetary mixer designed to whisk and mix, providing also good kneading results.
- Maximum capacity (flour, with 60% of hydration) 0,75 kg.
- Tools shape and size perfectly adapt to the bowl for uniform mixing of even small quantities.
- Electronic speed variator.
- Removable safety screen activates the raising and lowering of the bowl.
- Delivered with:
  - Paddle, Semi-spiral Hook, Wire Whisk and Mixing Bowl for 5,5 lt
  - K type accessory drive hub (accessories are not included)
- Safety device will automatically stop the machine when the bowl is lowered.
- Bowl detection device allows the mixer to switch on only when the bowl and the solid safety screen are properly installed and positioned together.

### Construction

- Compact design.
- Semi-spiral hook, paddle and wire whisk in stainless steel.
- 304 AISI stainless steel bowl with 2 handles - 5,5 lt capacity.
- Universal powerful motor with high start-up torque and overload protection.
- Variable speed from 40 to 240 rpm (planetary movement), to adjust to the selected tool and mixture hardness.
- Variable speed rotation of the tools from 84 rpm to 500 rpm.
- Power: 500 watts.
- Transparent solid safety screen made of Eastman Tritan™ copolyester BPA free, impact resistant and stays clear and durable after several dishwashing cycle. Eastman&Tritan are trademarks for Eastman Chemical Company.
- Water protected planetary system (IP55 electrical controls, IP34 overall machine).
- Delivered with UK plug.

### Included Accessories

- 1 of Stainless steel bowl with handles 5 lt PNC 653754
- 1 of Stainless steel semi-spiral hook 5 lt PNC 653755
- 1 of Additional stainless steel paddle 5 lt PNC 653756
- 1 of Additional stainless steel whisk 5 lt PNC 653757

### Optional Accessories

- 60 mm meatmincer for attachment type K (12 mm square hub) and 1 disc PNC 653043
- 3 discs (3-4,5-8 mm) for meatmincer PNC 653044

APPROVAL: \_\_\_\_\_



Electrolux

Planetary Mixer, 5 lt - Electronic with Hub, White with UK Plug  
Planetary Mixers



**Electrolux**

**Planetary Mixers  
Planetary Mixer, 5 lt - Electronic  
with Hub, White with UK Plug**

- Pasta kit (lasagne, tagliatelle, tagliolini) PNC 653610
- Pasta accessory (spaghetti) PNC 653611
- Stainless steel bowl with handles 5 lt PNC 653754
- Stainless steel semi-spiral hook 5 lt PNC 653755
- Additional stainless steel paddle 5 lt PNC 653756
- Additional stainless steel whisk 5 lt PNC 653757



**Planetary Mixers  
Planetary Mixer, 5 lt - Electronic with Hub, White with UK Plug**

The company reserves the right to make modifications to the products without prior notice. All information correct at time of printing.

2017.08.09

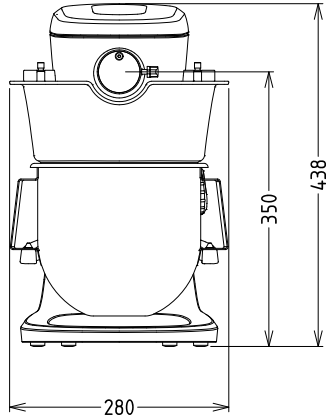


**Electrolux**

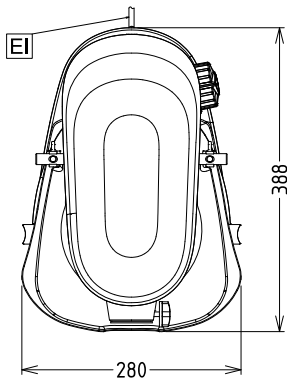
# Planetary Mixers

## Planetary Mixer, 5 lt - Electronic with Hub, White with UK Plug

Front

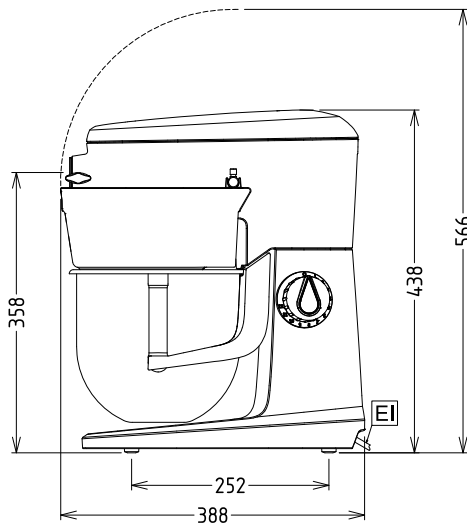


Top



EI = Electrical connection

Side



### Electric

Supply voltage:

600191 (EMX5BWHG)

208-240 V/1N ph/50/60 Hz

Total Watts:

0.5 kW

### Capacity

Performance (up to):

0.75 - kg/Cycle

Capacity

5 Litre

### Key Information

External dimensions, Height

434 mm

External dimensions, Width

284 mm

External dimensions, Depth

382 mm

Shipping weight:

12 kg

Net weight (kg):

11

Cold water paste:

hook

Egg whites:

0.75 kg with Semi spiral hook  
12 with Whisk



Planetary Mixers  
Planetary Mixer, 5 lt - Electronic with Hub, White with UK Plug

The company reserves the right to make modifications to the products without prior notice. All information correct at time of printing.

2017.08.09