

# Quick Start Reference Guide

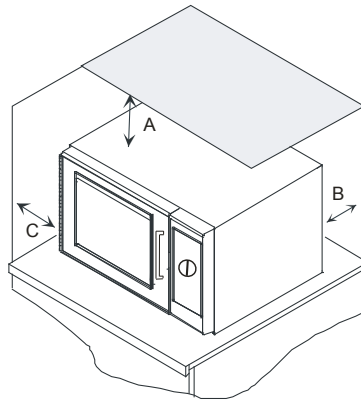
Refer to Product Safety Manual for Safety Statements  
Complete Owner's Manual available online

**Menu Guide**

2:00	:15
1:00 - 2:00	:45
:30	1:30 - 2:30

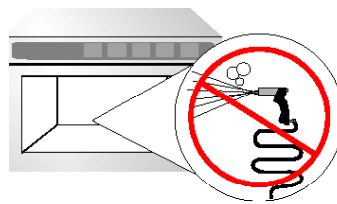
20% 50% 70% 100%

20%	50%
70%	100%

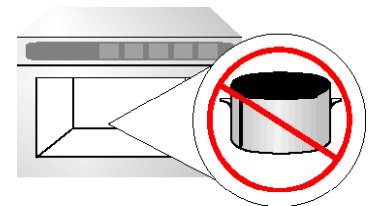


## Oven Wall Clearances

- A—For North American (UL/CSA) models, allow at least 2" (5.1 cm) of clearance around top of oven. For all international models (50 Hz), allow at least 7" (18 cm) of clearance around the top of the oven. Proper air flow around oven cools electrical components. With restricted air flow, oven may not operate properly and life of electrical parts is reduced.
- B—There is not an installation clearance requirement for the back of the oven.
- C—Allow at least 1" (2.54 cm) of clearance around sides of oven.
- D—Install combination oven so oven bottom is at least 3 feet (91.5 cm) above floor.



DO NOT power spray



No metal pans

## So...how do I use it? (Electronic / Mechanical Dial)

### Heating

1. Open oven door, place food in oven, and close oven door.
2. Select desired power level or use default 100%.
  - Cooking time can be set up to 10 minutes.
  - Oven begins operation and time counts down.
2. Turn time entry knob clockwise to desired time.
3. When cooking time has elapsed, microwave energy stops and oven signal sounds.

### Interrupting Operation

Open oven door to interrupt operation or turn time entry knob counterclockwise to "0".

To resume microwave oven operation, close door, select power level pad, and turn knob.

### Changing Time and Canceling Mistakes


Heating time and power level can be changed at any time while the oven is operating. Press power level pad or turn knob to desired new setting. To set cooking time to zero, turn knob counterclockwise to "0" or cycle door open and closed.

# Quick Start Reference Guide


*Refer to Product Safety Manual for Safety Statements*  
Complete Owner's Manual available online

## Changing Timer Option

Timer resetting to zero can be set at any time to pause current cook time and power level when door is opened. To change this option follow the step below.

- With door open press and hold the 100% pad  for 5 seconds until beep is heard. Close the door this changes timer setting to pause current cook time and power level when door is opened.

Timer pausing current cook time and power level can be set at any time to reset to zero and 100% power level when door is opened. To change this option follow the step below.

- With door open press and hold the 20% pad  for 5 seconds until beep is heard. Close the door this changes timer setting to reset timer to zero and power level to 100% when door is opened.

The switching operation of this microwave oven can cause voltage fluctuations on the supply line. The operation of this oven under unfavorable voltage supply conditions can have adverse effects. This device is intended for the connection to a power supply system with a maximum permissible system impedance  $Z_{max}$  of **0.2 Ohms** at the interface point of the user's supply. The user has to ensure that this device is connected only to a power supply system which fulfills the requirement above. If necessary, the user can ask the public power supply company for the system impedance at the interface point.