

VITO oil filter system



VITO VM VL

User Manual - Bedienungsanleitung
Manual de instrucciones - Manuale d'istruzione
Manuel d'utilisation - دليل الاستخدام

Contents

1. Product	2
1.1 Product description	2
1.2 Scope of delivery	2
2. Legal information	2
3. Preface	3
4. Safety instructions	3
4.1 Explanation of symbols	3
4.2 Safety instructions	3
4.3 Intended use	3
5. Safety functions	4
5.1 Tilt and vibration protection	4
5.2 Acoustic signal	4
5.3 Overtemperature	4
6. Getting started	4
6.1 Filtration time	4
6.2 Active cooling	4
6.3 Checking the factory settings	4
6.4 Offline programming	4
6.4.1 Adjusting the filtration time	4
6.4.2 Turning the acoustic signal on/off	4
6.5 Online programming	5
6.5.1 Adjusting the filtration time	5
6.5.2 Turning the acoustic signal on/off	5
6.6 Internet connection	5
6.7 QR-Code	5
7. Filtration process	6
7.1 Preparing for filtration	6
7.2 Starting the filtration	6
7.3 Stopping filtration prematurely	6
8. Storage / cooling time	6
9. Changing the filter paper	6
10. Cleaning	7
10.1 Notes	7
10.2 Preparing for cleaning	7
10.3 Manual Cleaning	7
10.4 Cleaning with the dishwasher	7
10.5 Boil out	7
11. Trouble shooting	8
12. Waste disposal	8
12.1 Packaging disposal	8
12.2 Particle filter disposal	8
12.3 Device disposal (Take-back concept for b2b waste equipment)	9
12.4 WEEE (Waste Electrical and Electronic Equipment) Directive	9
13. Technical data	9
14. Declaration of conformity	10

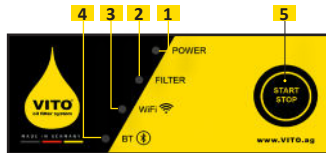
1. Product



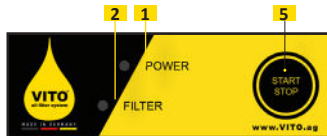
1.1 Product description

1. Power indicator (red LED)
2. Filter indicator (green LED)
3. WiFi indicator (pink LED) (only VL)
4. BT indicator (blue LED) (only VL)
5. Start / Stop button
6. Drip pan
7. Star handles (2 pcs.)
8. Control unit
9. Handle
10. Power cord
11. Pump-filter unit
12. Ventilation slots
13. Cable protection
14. Cable holder (only VL)
15. Control panel foil
16. Type label

Control panel foil VL (15)



Control panel foil VM (15)



1.2 Scope of delivery

- VITO oil filter system
- User manual
- Short instruction
- Particle filter (11 pcs.) (one is already inserted)
- Drip pan

Type label (16)



2. Legal information

VITO AG

Eltastrasse 6
 78532 Tuttlingen (Germany)
 Phone: +49 (0) 7461 / 96289-0
 Fax: +49 (0) 7461 / 96289-12
 info@vito.ag
 www.vito.ag

CEO:
 Andreas Schmidt (MBA, Dipl.-Wirt.Ing)
 Headquarters: Tuttlingen, Germany
 Reg. court: Stuttgart HRB-750227

In cooperation with:
 University Albstadt-Sigmaringen (Germany)
 - Industrial engineering with business studies -
 Jakobstrasse 1
 72458 Albstadt (Germany)
 Copyright © VITO AG
 All rights reserved

This document is subject to the copyright of VITO AG.
 Without previous written permission of the company VITO AG the document or parts of it may neither be duplicated, nor used in contradiction to their legitimate interests.
 Changes in the sense of the technical progress are reserved.

3. Preface

Dear VITO customer,

Thank you for choosing this product by VITO AG.

Please read the manual carefully to familiarize yourself with the handling of your VITO oil filter system to ensure proper use.

Your local dealer and our customer service are available to answer your questions and provide support.

We are thankful for comments and suggestions concerning the VITO oil filter system and / or user manual. (Please find contact information in chapter 2 Legal information.)

We hope that you enjoy your VITO oil filter system for a long time and increase the efficiency in your establishment.

With VITO you own a high-quality oil filter system from which you can expect a long life and efficient support on the fryer.

4. Safety instructions

4.1 Explanation of symbols

Incorrect operation of the VITO can lead to danger and injury. The following should be observed.

Possible dangers are marked with these symbols:



Warning
Risk of injury if not observed



Risk of electric shock
due to incorrect handling or
opening of the housing



Risk of slipping
Contamination on the floor possible



Caution
Important safety instruction



Danger of burnings
due to incorrect operation of VITO



Operation instructions
Information on the operation of VITO

4.2 Safety instructions

- VITO is NOT approved for filtration of liquids other than frying oil.
- DO NOT use or store VITO outdoors! Damage due to rain or moisture.
- VITO is NOT designed for continuous operation! (Risk of overheating/fire).
- Children are strictly prohibited from using VITO!
- DO not cover the ventilation slots (12)!
- DO NOT touch the power cord (10) and control unit (8) with wet hands!
- DO NOT pinch or bend the power cord (10)!
- Avoid the power cord (10) to come into contact with hot oil or other hot objects.
- Operate VITO only on protection class I connections (with protective earth contact).
- Clean VITO before initial use (see chapter 10 Cleaning).
- The local voltage must match the voltage on the type plate (16).
- The maximum operating temperature is 200°C / 392°F (recommended frying temperature 175°C / 347°F).
- DO NOT run the pump-filter unit (11) while dry!
- Pay attention to heating elements, grids or thermal sensors of the deep fryer!
- Carry VITO only using the black handles (9)!
- DO NOT operate the VITO in an inclined position!
- DO NOT move VITO during filtration!

4.3 Intended use

- VITO is designed for commercial use in the hospitality industry.
- Observe the safety instructions. Filtration is only possible when the oil is liquid.
- VITO should only be used by appropriately trained personnel.
- VITO is only designed for intermittent operation.

No liability will be accepted for improper use! 

5. Safety functions

5.1 Tilt and vibration protection

If VITO is placed inclined more than 17°, tilts or vibrates too much due to a defect or incorrect placement, VITO will immediately stop off the filtration. The power indicator (1) and the filter indicator (2) flash and a repeating acoustic signal sounds.

5.2 Acoustic signal

After the boot-up, a short acoustic signal sounds. VITO is then ready for operation. At the end of each filtration cycle, an acoustic signal sounds for 5 seconds. The acoustic signal can be deactivated (see chapter 6 Getting started).

5.3 Overtemperature

In case of overheating (control unit >75°C / 167°F), VITO stops the filtration process.

The power indicator (1) flashes and VITO emits an acoustic signal.

Remove VITO from the fryer and store it (see chapter 8 Storage / cooling time).

6. Getting started

6.1 Filtration time

The factory setting of the filtration time is **4 min. 30 sec.** Up to **16** filtration cycles are possible directly one after the other.

6.2 Active cooling

VITO has active cooling. The active cooling is temperature-dependent and switches itself on automatically. After the boot-up, a function check is carried out.

6.3 Checking the factory settings

1. Press and hold the Start / Stop button (5).
2. Plug in the power cord (10). Meanwhile, hold the Start / Stop button (5).
3. Hold the Start / Stop button (5) for 5 seconds. VITO emits an acoustic signal and filter indicator (2) lights up briefly.
4. Release the Start / Stop button (5).
5. The programmed filtration cycle time is indicated by the flashing of the LEDs.
6. The power indicator (1) shows 1 minute per flash.
7. The filter indicator (2) shows 30 seconds per flash.
e.g.: 4x red = 4 min.
1x green = 30 sec.
= filtration time: 4 min. 30 sec.

6.4 Offline programming

6.4.1 Adjusting the filtration time

To set the filtration time, follow the steps in chapter 6.3 Checking the factory settings, then:

1. Press Start / Stop button (5) immediately after the filtration time is displayed.
2. Press Start / Stop button (5) to extend the filtration time by 30 seconds (starts at 0 sec.).
(e.g. press 3x for 1 min 30 sec. etc.)
3. When the desired filtration cycle time has been set, wait until the filter indicator (2) lights up briefly and an acoustic signal sounds.
4. Unplug the power cord (10).

6.4.2 Turning the acoustic signal on/off

To adjust the volume of the signal, follow the instructions in chapter 6.3 Checking the factory settings, then:

1. Wait until the filter indicator (2) lights up briefly and a short acoustic signal sounds.
2. Press Start / Stop button (5) to adjust the signal.
3. The LEDs show the status:
Power indicator (1) = Sound off
Power indicator (1) + filter indicator (2) = Sound on
4. When the desired setting has been made, wait until the filter indicator (2) lights up briefly and a acoustic signal is audible.
5. Unplug the power cord (10).

6.5 Online programming

VITO offers the option to set the filtration time, the acoustic signal and the network connection online, using a smartphone, tablet or PC.

1. Plug in the VITO.
2. Open the WiFi settings of your device (tablet, smartphone or PC).
3. Search for the network "VITO Config + Serial number". The serial number (SN) of the VITO can be found on the type label (16).
4. Connect to the network.
5. Enter password: **12345789**. WiFi indicator (3) flashes (only VL).
6. Open the web browser.
7. Enter IP address 10.10.10.10
8. Tap on VITO drop.
9. Log in with:
User name: **user**
Password: **Vito2k18**
10. If necessary, change language by clicking on EN, DE, etc.

6.5.1 Adjusting the filtration time

To adjust the filtration time, follow the instructions of chapter 6.5 Online programming, then:

1. Select the desired filtration duration.
2. Click on "Save". Filter indicator (2) lights up briefly and an acoustic signal sounds.

6.5.2 Turning the acoustic signal on/off

To set the volume of the signal, follow the instructions in Chapter 6.5 Online programming, then:

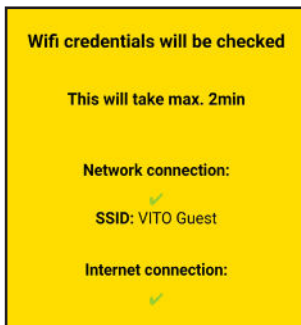
1. Select under the menu "Buzzer", whether the acoustic signal should be activated or deactivated. Filter indicator (2) lights up briefly and an acoustic signal sounds.

6.6 Internet connection

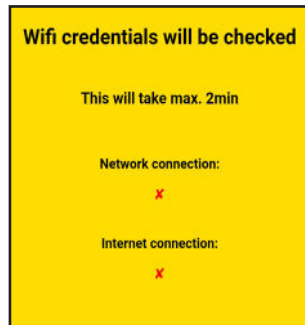
To use VITOconnect to the full extent, VITO requires an internet connection. You need a sufficiently strong 2.4GHz WiFi.

To connect VITO to your network, follow the instructions in chapter 6.5 Online programming, then:

1. Click on "WiFi configuration".
2. Select network.
3. Enter the network password. (If you do not have set a network password, leave this field blank).
4. Check network password by clicking on "Show password".
5. Click on "Save". VITO will now check the network and internet connection.



Successfully connected.



Not connected.
Check network and password.

VITO only collects and sends machine usage data. No personal data is collected or sent.

On <https://connect.vito.ag> you get an online overview of your machine usage data, services and updates.

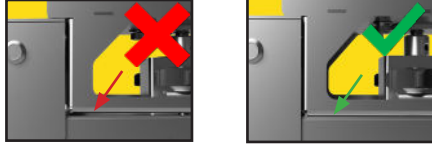
6.7 QR-Code

Scan the QR code on the control unit (8) to easily access a website with useful information and numerous tips about your VITO.

7. Filtration process

7.1 Preparing for filtration

1. Lift VITO out of the drip pan (6).
2. Insert the filter paper into the pump-filter unit (11) (see chapter 9 Changing the filter paper).
3. Close the filter cover. Snap the filter cover into the bottom of the pump-filter unit (11).
4. Place the control unit (8) on the pump-filter unit (11).
5. Make sure that there is no gap between the control unit (8) and the pump-filter unit (11). This indicates that the filter cover has not been closed properly and snapped.
6. Tighten the star handles (7).



There must be no gap between the control unit (8) and the pump-filter unit (11).

7.2 Starting the filtration

1. Place the VITO in the deep fryer.
2. Ensure that VITO stands firmly.
3. Check the frying oil level (take care of MIN and MAX levels).
4. Plug in the power cord (10).
Power indicator (1) lights up.
5. Press Start / Stop button (5).
The filter indicator (2) lights up during filtration.

7.3 Stopping filtration prematurely

1. Press the Start / Stop button (5).
The filter indicator (2) shuts off.
2. Lift VITO and let residual oil flow into the fryer.
3. Store VITO in the drip pan (6) (see chapter 8 Storage / cooling time).

8. Storage / cooling time

- Place VITO in the drip pan (6) after use or for transport.
- Permissible storage temperature **+10°C to +30°C / +50°F to +86°F**.

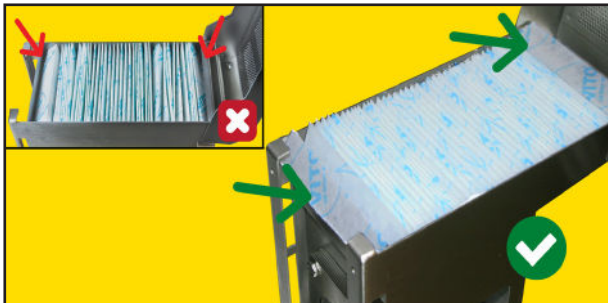
Cooling phases:

- Up to 2.5 hours when power cord (10) is unplugged.
- Approx. 15min. when power cord (10) is plugged in.

9. Changing the filter paper

Change the filter paper as needed. The change depend on the use of VITO and the degree of contamination of the frying oil. Up to max. 10 filtrations can be achieved with one particle filter.

Do not leave gaps between the filter and the edges of the pump-filter unit (11).



Overlap the last fold of the filter paper on both sides of the pump-filter unit (11).

10. Cleaning

10.1 Notes

- Clean the pump-filter unit (11) every time the filter paper is changed.
- Clean VITO only when it is cooled down.
- DO NOT use abrasive cleaners.
- DO NOT use a wire brush or similar.

10.2 Preparing for cleaning

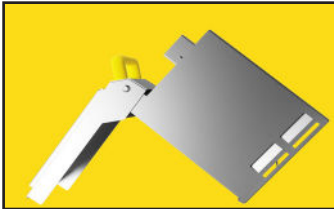
1. Make sure that VITO has cooled down.
2. Loosen the star handles (7) (on both sides).
3. Detach the control unit (8) from the pump-filter unit (11).
4. Open the pump-filter unit (11).
5. Remove and dispose of the filter paper (see chapter 12.2 Filter disposal).
6. Manual cleaning or cleaning with the dishwasher

10.3 Manual Cleaning

1. Clean the control unit (8) with a damp cloth!
DO NOT use running water! This will damage the control unit!
2. Wash the pump-filter unit (11) and the drip tray (6).
3. Dry VITO.

10.4 Cleaning with the dishwasher

1. Clean the control unit (8) only with a damp cloth!
NEVER put the control unit (8) in the dishwasher! This will damage the unit.
2. Put the pump-filter unit (11) and the drip tray (6) into the dishwasher. **Hint:** Do not open the filter cover completely. This allows the water to circulate better.
3. Start the cleaning program.



Do not open the filter cover completely.



Only put the pump-filter unit (11) and the drip tray (6) in the dishwasher.

10.5 Boil out

If the pump-filter unit (11) is heavily soiled, deep clean it with water and soap or deep fryer cleaner. Regular boil outs are recommended for optimal cleaning and maintenance results.

11. Trouble shooting

Malfunction	Possible cause	Remedial action
Power indicator (red LED) (1) remains inactive	<ul style="list-style-type: none"> Power cord (10) not plugged in Power cord (10) defective Device defective 	<ul style="list-style-type: none"> Plug in VITO Please contact service Please contact service
VITO is very noisy during operation	<ul style="list-style-type: none"> Star handles (7) are loose Rotor defective Rotor scratches on the fryer 	<ul style="list-style-type: none"> Tighten star handles (7) Please contact service Change position of VITO in deep fryer
Power indicator (red LED) (1) flashes and acoustic signal sounds	<ul style="list-style-type: none"> Overtemperature 	<ul style="list-style-type: none"> Let VITO cool down Place VITO in a cool place
Power indicator (red LED) (1) and filter indicator (green LED) (2) flash and an acoustic signal sounds	<ul style="list-style-type: none"> VITO is at an angle of more than 17° Strong vibrations 	<ul style="list-style-type: none"> Check position of VITO in the fryer Please contact service Damaged rotating parts Filter cover not closed properly
VITO doesn't start	<ul style="list-style-type: none"> Control unit (8) defective 	<ul style="list-style-type: none"> Please contact service
Line fuse / Ground fault circuit fuse (GFCI) blow-out	<ul style="list-style-type: none"> Power cord (10) or other electrical components defective Rotor defective / blocked Circuit overloaded 	<ul style="list-style-type: none"> Please contact service Please contact service Change socket/circuit
Low filtration performance	<ul style="list-style-type: none"> Particle filter is full Pump-filter unit (11) clogged Filter paper not inserted properly Motor defective 	<ul style="list-style-type: none"> Change particle filter Empty pump-filter unit (11) Boil out to remove heavy dirt Insert filter as described Please contact service
Oil splashed sideways and / or at the back of the pump-filter unit (11)	<ul style="list-style-type: none"> Particle filter full Too much space between filter cover and pump-filter unit (11) Filter paper not inserted overlapping 	<ul style="list-style-type: none"> Change particle filter Please contact service Insert particle filter as described
Power and filter indicator (1 & 2) flash 10 sec. after plugging VITO in and an acoustic signal sounds	<ul style="list-style-type: none"> Start / Stop button (5) defective Control unit (8) wet inside 	<ul style="list-style-type: none"> Please contact service Please let it dry
Internet connection cannot be established	<ul style="list-style-type: none"> Wrong network chosen Wrong password entered WiFi signal too weak 	<ul style="list-style-type: none"> Select correct network Enter correct password Strengthen the WiFi signal Move router closer to VITO
"10.10.10"-website is not displayed correctly	<ul style="list-style-type: none"> Outdated website in cache Device is not connected to VITO 	<ul style="list-style-type: none"> Delete Cache Delete browser data Connect to VITO (see chapter 6.5)
Gap between control unit (8) und pump-filter unit (11)	<ul style="list-style-type: none"> Filter cover not closed properly Filter cover or pump-filter unit bent 	<ul style="list-style-type: none"> Close the filter cover properly and snap it into the pump-filter unit Please contact service

If you find any faults not listed here, please contact the VITO customer service or your dealer!
Contact details can be found in chapter 2. Legal information.

12. Waste disposal

12.1 Packaging disposal

- The packaging should be recycled or
- keep the packaging carefully.

12.2 Particle filter disposal

- Used particle filter must be disposed according to your local regulations.

12.3 Device disposal (Take-back concept for b2b waste equipment)

All customers of VITO AG may contact us at any time to return waste equipment if required. This usually happens when devices and/or electronic circuit boards are defective or when devices are exchanged for a newer generation of devices. We dismantle the devices accordingly and return the separated raw materials to the environmental cycle. All electronic components are handed over via our disposal points specified at ear® (stiftung elektro-altgeräte register®) and proven via the annual notification to ear®.

Send VITO to:

VITO AG

Eltastrasse 6
78532 Tuttlingen (Germany)

For further questions please contact your local dealer or the VITO AG customer support.

12.4 WEEE (Waste Electrical and Electronic Equipment) Directive

Do not throw power devices in the household waste! According to the European Directive 2002/96/EG on Waste electrical and electronic equipment and its implementation in national law, not usable power tools are collected separately and recycled in an environmentally friendly manner.

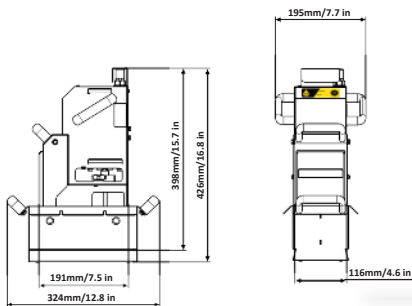
Manufacturers of these devices are obliged to take back products that are no longer usable. VITO AG will comply with the product take back requirements at the end of life of VITO-branded products that are sold into the EU. You can return these products to local collection points.

13. Technical data

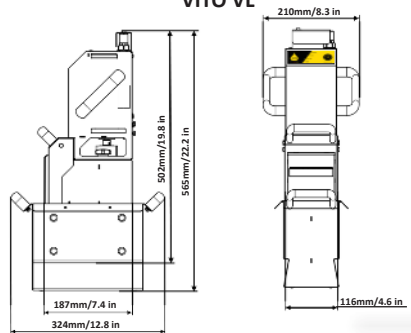
	VITO VM	VITO VL
Nominal voltage country-specific (see type label)	220 - 240 V ~ ±10% 100 - 120 V ~ ±10%	50 - 60 Hz 50 - 60 Hz
Nominal power consumption	approx. 1,2 A at 230 V approx. 2,4 A at 115 V	approx. 2.0 A at 230 V approx. 4.0 A at 115 V
Max. power	300 W	500 W
Noise level	<85db	
User control	Start / Stop button (5)	
Operating temperature	control unit (8) max. 75°C / 167°F - pump-filter unit (11) max. 200°C / 392°F (recom. frying temperature max. 175°C / 347°F)	
Storage temperature	+10°C to +30°C / 50°F to +86°F	
Weight	8,9 kg / 19.6 lbs (with drip pan) 7,7 kg / 17 lbs (without drip pan)	10.5 kg / 23.2 lbs (with drip pan) 8.8 kg / 19.4 lbs (without drip pan)
Acoustic signal	yes	
Network connection	WiFi 2.4GHz	
Particle uptake	approx. 1.3 kg / 2.9 lbs* (1.7 l)	approx. 2.5 kg / 5.5 lbs* (3 l)
Particle filter	cellulose FDA-CFR 21	
Operation	intermittent operation	

*regular bread crumbs

VITO VM



VITO VL



14. Declaration of conformity

Issued by VITO AG | Eltastrasse 6 78532 Tuttlingen (Germany) | Phone : +49 (0) 7461 / 96289-0
Fax : +49 (0) 7461 / 96289-12 | Email: info@vito.ag

For the product VITO VM & VL: EU Patent No. 1326692 / U.S. Patent No. US7.052.605.B2

The professional oil and fat filtration equipment is manufactured and tested according the following standards:

For the purposed of the EU directives :

- 2006/42/EG Machinery Directive
- 2014/30/EU Electromagnetic Compatibility
- 2014/35/EU Low Voltage Directive
- 2011/65/EU RoHS - Directive (Restriction of certain Hazardous Substances)
- 2003/10/EC Minimum requirements to protect the safety and health of workers
- 2012/19/EU WEEE Directive
- 2014/53/EU Radio Equipment Directive

- EN 61000-6-1: 2019 Immunity
- EN 61000-6-2: 2019 Immunity
- EN 61000-6-3: 2022 Emission
- EN 61000-6-4: 2020 Emission

- DIN 18876:2018-06: Commercial kitchen equipment - Portable non-integrated oil / fat filtration equipment - Requirements and testing

with German, European and International (Non- European) standards

German standard DIN EN		European standard EN		International standard IEC (IEC/CISPR)
DIN EN 61000-6-1:2019-11	based on	EN 61000-6-1:2019	based on	IEC 61000-6-1:2016
DIN EN 61000-6-2:2019-11	based on	EN 61000-6-2:2019	based on	IEC 61000-6-2:2016
DIN EN 61000-6-3:2022-06	based on	EN 61000-6-3:2022-06	based on	IEC 61000-6-3:2006 + A1:2010
DIN EN 61000-6-4:2020-09	based on	EN 61000-6-4:2019	based on	IEC 61000-6-4:2018
DIN EN 61000-3-2:2019-12	based on	EN 61000-3-2:2019	based on	IEC 61000-3-2:2018
DIN EN 61000-3-3:2020-07	based on	EN 61000-3-3:2013 + A1:2019	based on	IEC 61000-3-3:2013-05
DIN EN 60335-1:2020-08	based on	EN 60335-1:2014-11	based on	IEC 60335-1:2010, modified
DIN EN 12100:2011-03	based on	EN 12100:2011-03	based on	ISO 12100:2011-03
DIN EN 60204-1:2019-06	based on	EN 60204-1:2019-06	based on	IEC 60204-1:2016, modified
DIN EN 55014-1:2018-08	based on	EN 55014-1:2018-08	based on	CISPR 14-1:2016 + COR1:2016
DIN EN 55014-2:2022-10	based on	EN 55014-2:2016-01	based on	CISPR 14-2:2015
-	-	VO (EG) Nr. 2023/2006	-	IEC 60884-2-1
EGV 1935/2004	-	VO (EG) Nr. 1935/2004	-	-
		VO (EU) Nr. 10/2011		
DIN EN 10088-1:2014-12	-	-	-	-
DIN 18876 A1:2018-06	-	-	-	-
DIN 18876 A2:2018-06	-	-	-	-
DIN 18876 A3:2018-06	-	-	-	-
DIN EN 50396:2006-07	-	-	-	-
DIN EN 61003-2:2017-06	-	-	-	-
DIN EN 10095:2018-12	-	-	-	-
DIN EN 10269:2014-02	-	-	-	-
DIN EN 10302:2008-06	-	-	-	-
DIN EN 82079-1:2013-06	-	-	-	-
ProdSG	based on	2001/95/EG	-	-
LFGB	-	-	-	-
DGUV-rule 110-001	-	-	-	-

Tuttlingen, 2022



Andreas Schmidt
CEO
VITO AG



Inhalt

1. Produkt	2
1.1 Produktbeschreibung	2
1.2 Lieferumfang	2
2. Rechtliche Informationen	2
3. Vorwort	3
4. Sicherheitshinweise	3
4.1 Symbolerklärung	3
4.2 Sicherheitshinweise	3
4.3 Bestimmungsgemäßer Gebrauch	3
5. Sicherheitsfunktionen	4
5.1 Umkipp- und Vibrationsschutz	4
5.2 Akustisches Signal	4
5.3 Übertemperatur	4
6. Vor Inbetriebnahme	4
6.1 Filtrationsdauer	4
6.2 Aktive Kühlung	4
6.3 Überprüfung der Werkseinstellungen	4
6.4 Offline Programmierung	4
6.4.1 Filtrationsdauer anpassen	4
6.4.2 Akustisches Signal ein-/abschalten	4
6.5 Online Programmierung	5
6.5.1 Filtrationsdauer anpassen	5
6.5.2 Akustisches Signal ein-/abschalten	5
6.6 Internetverbindung	5
6.7 QR-Code	5
7. Filtrationsvorgang	6
7.1 Vorbereiten der Filtration	6
7.2 Filtration starten	6
7.3 Filtration vorzeitig abbrechen	6
8. Aufbewahrung/Abkühlzeit	6
9. Partikelfilterwechsel	6
10. Reinigung	7
10.1 Hinweise	7
10.2 Reinigung vorbereiten	7
10.3 Manuelle Reinigung	7
10.4 Maschinelle Reinigung	7
10.5 Grundreinigung	7
11. Fehlerbehebung	8
12. Entsorgung	8
12.1 Entsorgung der Verpackung	8
12.2 Entsorgung der Partikelfilter	8
12.3 Entsorgung der Altgeräte (Rücknahmekonzept b2b)	9
12.4 WEEE (Waste Electrical and Electronic Equipment) Richtlinie	9
13. Technische Daten	9
14. Konformitätserklärung	10

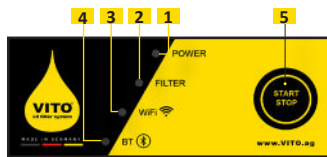
1. Produkt



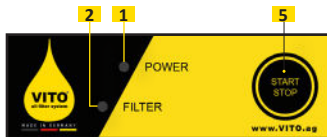
1.1 Produktbeschreibung

1. Poweranzeige (rote LED)
2. Filteranzeige (grüne LED)
3. WLAN-Anzeige (pinke LED) (nur VL)
4. BT-Anzeige (blaue LED) (nur VL)
5. Start / Stop Taster
6. Auffangwanne
7. Kreuzgriffe (2 Stk.)
8. Steuereinheit
9. Haltegriff
10. Netzkabel
11. Pump-Filtereinheit
12. Lüftungsöffnungen
13. Kabelschutz
14. Kabelhalterung (nur VL)
15. Bedienfolie
16. Typenschild

Bedienfolie VL (15)



Bedienfolie VM (15)



1.2 Lieferumfang

- VITO Frittierölfiler
- Bedienungsanleitung
- Kurzanleitung
- Partikelfilter (11 Stk.)
(einer bereits einglegt)
- Auffangwanne

Typenschild (16)



2. Rechtliche Informationen

VITO AG

Eltastrasse 6
78532 Tuttlingen (Deutschland)
Tel.: +49 (0) 7461 / 96289-0
Fax: +49 (0) 7461 / 96289-12
info@vito.ag
www.vito.ag

CEO:
Andreas Schmidt (MBA, Dipl.-Wirt.Ing)
Hauptsitz: Tuttlingen, Deutschland
Reg. Gericht: Stuttgart HRB-750227

In Kooperation mit:
Hochschule Albstadt-Sigmaringen
- Wirtschaftsingenieurwesen -
Jakobstrasse 1
72458 Albstadt (Deutschland)
Copyright © VITO AG
Alle Rechte vorbehalten

Dieses Dokument unterliegt dem Urheberrecht der Firma VITO AG.
Ohne vorherige schriftliche Genehmigung der Firma VITO AG darf das Dokument, oder Teile davon weder vervielfältigt, noch in Widerspruch zu deren berechtigten Interessen verwendet werden.
Änderungen im Sinne des technischen Fortschritts sind vorbehalten.

3. Vorwort

Sehr geehrter VITO Kunde,

Vielen Dank, dass Sie sich für ein Produkt aus dem Hause VITO AG entschieden haben.

Bitte lesen Sie das Benutzerhandbuch aufmerksam durch, um einen sicheren Einsatz und ein optimales Filtrationsergebnis zu erreichen.

Bei Fragen steht Ihnen Ihr Händler oder der Kundenservice gerne zur Verfügung. Wir sind dankbar für Anregungen und Vorschläge zum VITO Frittierölfiter und/oder zur Bedienungsanleitung (siehe hierzu Kontaktinformationen unter Kapitel 2 Rechtliche Informationen). Wir hoffen, dass Sie lange Zeit viel Freude an Ihrem VITO Frittierölfiter haben und die Effizienz in Ihrem Betrieb steigern. Mit VITO sind Sie im Besitz eines hochwertigen Frittierölfiltrationssystems von dem Sie eine lange Produktlebensdauer und effiziente Unterstützung bei Ihrer Arbeit erwarten können.

4. Sicherheitshinweise

4.1 Symbolerklärung

Eine fehlerhafte Bedienung des VITO kann zu Gefahren und Verletzungen führen. Folgendes sollte beachtet werden. Mögliche Gefahren sind mit diesen Symbolen markiert:



Warnung
Verletzungsgefahr bei Nichtbeachtung



Stromschlaggefahr
durch fehlerhafte Handhabung oder Öffnen des Gehäuses



Rutschgefahr
Verunreinigung auf dem Boden möglich



Vorsicht
wichtiger Sicherheitshinweis



Verbrennungsgefahr
durch fehlerhafte Bedienung von VITO



Bedienungshinweis
Informationen zur Bedienung von VITO

4.2 Sicherheitshinweise

- VITO ist NICHT für die Filtration von anderen Flüssigkeiten als Frittieröl zugelassen.
- Benutzen oder lagern Sie VITO NICHT im Freien! Beschädigung durch Regen oder Feuchtigkeit.
- VITO ist NICHT für den Dauerbetrieb ausgelegt! (Überhitzungs-/Brandgefahr)
- Kindern ist der Gebrauch von VITO strengstens untersagt!
- Lüftungsöffnungen (12) nicht abdecken!
- Das Netzkabel (10) und Steuereinheit (8) NICHT mit nassen Händen anfassen!
- Das Netzkabel (10) NICHT einklemmen oder knicken!
- Das Netzkabel (10) NICHT in Kontakt mit heißem Öl oder sonstigen heißen Gegenständen bringen.
- VITO darf nur an Schutzklasse I Verbindungen betrieben werden (mit Schutzleiterkontakt).
- Vor Erstgebrauch VITO reinigen (siehe Kapitel 10 Reinigung).
- Die örtliche Netzspannung muss mit der Spannung auf dem Typenschild (16) übereinstimmen.
- Die maximale Betriebstemperatur beträgt 200°C (empfohlene Frittieretemperatur 175°C).
- Pump-Filtereinheit (11) NICHT trocken laufen lassen!
- Auf Heizstäbe, Gitter oder Thermofühler der Fritteuse achten!
- VITO nur an den schwarzen Haltegriffen (9) tragen!
- VITO NICHT schräg stehend betreiben!
- VITO NICHT während der Filtration bewegen!

4.3 Bestimmungsgemäßer Gebrauch

- VITO ist für den kommerziellen Einsatz in der Gastronomie konzipiert.
- Beachten Sie die Sicherheitshinweise. Die Filtration ist nur möglich, wenn das Öl flüssig ist.
- VITO sollte nur von entsprechend geschultem Personal verwendet werden.
- VITO ist für den Aussetzbetrieb ausgelegt.

Bei unsachgemäßem Gebrauch wird keine Haftung übernommen! 

5. Sicherheitsfunktionen

5.1 Umkip- und Vibrationsschutz

Wird VITO um mehr als 17° geneigt platziert, kippt oder vibriert auf Grund eines Defekts oder einer falschen Platzierung zu stark, so schaltet VITO die Filtration sofort ab. Die Poweranzeige (1) und die Filteranzeige (2) blinken und ein sich wiederholendes akustisches Signal ertönt.

5.2 Akustisches Signal

Nach dem Hochfahren ertönt ein kurzer Signalton. VITO ist dann einsatzbereit. Am Ende jedes Filtrationszyklus ertönt ein 5 Sekunden langes akustisches Signal. Das akustische Signal kann deaktiviert werden (siehe Kapitel 6 Vor Inbetriebnahme).

5.3 Übertemperatur

Bei Überhitzung (Steuereinheit >75°C) stoppt VITO den Filtrationsvorgang.

Die Poweranzeige (1) blinkt und VITO gibt ein akustisches Signal aus.

VITO aus der Fritteuse nehmen und ordnungsgemäß lagern (siehe Kapitel 8 Aufbewahrung/Abkühlzeit).

6. Vor Inbetriebnahme

6.1 Filtrationsdauer

Die Werkseinstellung der Filtrationszeit sind **4,5 min**. Es sind **max. 16 Zyklen** direkt nacheinander möglich.

6.2 Aktive Kühlung

VITO besitzt eine aktive Kühlung. Die aktive Kühlung ist temperaturabhängig und schält sich selbstständig ein. Nach dem Hochfahren wird ein Funktionscheck durchgeführt.

6.3 Überprüfung der Werkseinstellungen

1. Start / Stop Taster (5) drücken und halten.
2. Netzkabel (10) in Steckdose einstecken. Währenddessen weiterhin den Start / Stop Taster (5) gedrückt halten.
3. Start / Stop Taster (5) für weitere 5 Sekunden halten. VITO gibt ein akustisches Signal und Filteranzeige (2) leuchtet kurz auf.
4. Start / Stop Taster (5) loslassen.
5. Die programmierte Zykluszeit wird durch Blinken der Anzeigen dargestellt.
6. Die Poweranzeige (1) zeigt 1 Minute pro Blinken.
7. Die Filteranzeige (2) zeigt 30 Sekunden pro Blinken.
z.B.: 4x rot = 4 min.
1x grün = 30 sek. -> Zykluszeit: 4 min. 30 sek.

6.4 Offline Programmierung

VITO kann direkt über den Start / Stop Taster (5) programmiert werden.

6.4.1 Filtrationsdauer anpassen

Um die Zykluszeit neu einzustellen, den Schritten in Kapitel 6.3 Überprüfung der Werkseinstellungen folgen, dann:

1. Start / Stop Taster (5) sofort drücken, nachdem die Zykluszeit angezeigt wurde.
2. Start / Stop Taster (5) drücken, um die Zykluszeit um 30 Sekunden zu verlängern (startet bei 0 sek.)
(z.B. 3x drücken für 1 min 30 sek. etc.)
3. Wenn die gewünschte Zykluszeit eingestellt ist, warten bis die Filteranzeige (2) kurz aufleuchtet und ein Signalton ertönt.
4. Netzkabel (10) ausstecken.

6.4.2 Akustisches Signal ein/-abschalten

Um die Lautstärke des Signals einzustellen, den Anweisungen in Kapitel 6.3 Überprüfung der Werkseinstellungen folgen, dann:

1. Warten bis die Filteranzeige (2) kurz aufleuchtet und ein kurzes akustisches Signal ertönt.
2. Start / Stop Taster (5) drücken um das Signal einzustellen.
Die Anzeigen stellen den Status dar:
Poweranzeige (1) = Ton aus
Poweranzeige (1) + Filteranzeige (2) = Ton an
3. Wenn die gewünschte Einstellung getroffen wurde, warten bis die Filteranzeige (2) kurz aufleuchtet und ein Signalton ertönt.
4. Netzkabel (10) ausstecken.

6.5 Online Programmierung

VITO bietet die Option an, die Filtrationszeit, das akustische Signal und die Internetverbindung online mit einem Smartphone, Tablet oder PC einzurichten.

1. VITO einstecken. Poweranzeige (1) leuchtet.
2. WLAN Einstellungen Ihres Gerätes (Tablet, Smartphone oder PC) öffnen.
3. Nach dem Netzwerk "VITO Config + Seriennummer" suchen. Die Seriennummer (SN) finden Sie auf dem Typenschild (16) des VITO.
4. Mit dem Netzwerk verbinden.
5. Passwort: **12345789** eingeben. WLAN-Anzeige (3) blinkt (nur VL).
6. Webbrowser öffnen.
7. IP-Adresse 10.10.10.10 im Adressfeld eingeben.
8. VITO Tropfen anklicken.
9. Mit folgenden Daten anmelden:
Benutzername: **user**
Passwort: **Vito2k18**
10. Gegebenenfalls Sprache durch klicken auf EN, DE, usw. ändern.

6.5.1 Filtrationsdauer anpassen

Um die Filtrationsdauer einzustellen, den Anweisungen des Kapitel 6.5 Online Programmierung folgen, dann:

1. Wählen Sie die gewünschte Filtrationsdauer aus.
2. Klicken Sie auf "Speichern". Filteranzeige (2) leuchtet kurz auf und ein Signalton ertönt.

6.5.2 Akustisches Signal ein-/abschalten

Um die Lautstärke des Signals einzustellen, den Anweisungen des Kapitels 6.5 Online Programmierung folgen, dann:

1. Wählen Sie unter dem Menüpunkt "Summer" ob dieser ein- oder abgeschaltet sein soll. Filteranzeige (2) leuchtet kurz auf und ein akustisches Signal ertönt.

6.6 Internetverbindung

Um VITOconnect im vollen Umfang nutzen zu können benötigt VITO eine Internetverbindung. Hierzu benötigen Sie ein ausreichend starkes 2.4GHz WLAN. Um VITO in ihr Netzwerk einzubinden, den Anweisungen in Kapitel 6.5 Online Programmierung folgen, dann:

1. "WLAN Konfiguration" anklicken.
2. Netzwerk auswählen.
3. Netzwerkpasswort eingeben. (Sollten Sie kein Netzwerkpasswort haben, so lassen Sie dieses Feld frei).
4. Netzwerkpasswort kontrollieren, indem Sie auf "Passwort anzeigen" klicken.
5. Auf "Speichern" klicken. VITO überprüft nun die Netzwerk-/ Internetverbindung.



Erfolgreich verbunden.



Nicht verbunden. Netzwerk und
Passwort überprüfen.

VITO erfasst und sendet nur Nutzungsdaten. Es werden keine personenbezogene Daten erhoben oder gesendet. Auf <https://connect.vito.ag/> erhalten Sie eine Online-Übersicht über die Nutzungsdaten, Services und Updates.

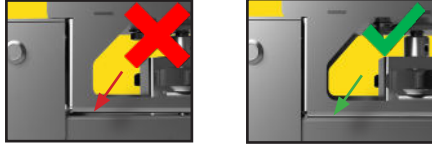
6.7 QR-Code

QR-Code auf der Steuereinheit (8) scannen um einfach auf eine Website mit nützlichen Informationen und zahlreichen Tipps über ihren VITO zu gelangen.

7. Filtrationsvorgang

7.1 Vorbereiten der Filtration

1. Nehmen Sie VITO aus der Auffangwanne (6).
2. Partikelfilter in die Pump-Filtereinheit (11) einlegen (siehe Kapitel 9 Partikelfilterwechsel).
3. Filterdeckel schließen. Filterdeckel unten in die Pump-Filtereinheit (11) einrasten.
4. Steuereinheit (8) auf die Pump-Filtereinheit (11) setzen.
5. Darauf achten, dass kein Spalt zwischen der Steuereinheit (8) und der Pump-Filtereinheit (11) vorhanden ist. Dies deutet drauf hin, dass der Filterdeckel nicht ordnungsgemäß geschlossen und eingerastet wurde.
6. Kreuzgriffe (7) anziehen (beidseitig).



Es darf kein Spalt zwischen Steuereinheit (8) und Pump-Filtereinheit (11) vorhanden sein.

7.2 Filtration starten

1. VITO in die Fritteuse stellen.
2. Festen Stand sicherstellen.
3. Frittierölpegel prüfen (MIN und MAX Markierung beachten)
4. Netzkabel (10) einstecken.
Poweranzeige (1) leuchtet.
5. Start / Stop Taster (5) betätigen.
Filteranzeige (2) leuchtet während der Filtration.

7.3 Filtration vorzeitig abbrechen

1. Start / Stop Taster (5) betätigen.
Filteranzeige (2) erlischt.
2. VITO anheben und Restöl in die Fritteuse fließen lassen.
3. VITO wie in Kapitel 8 Aufbewahrung/Abkühlzeit beschrieben lagern.

8. Aufbewahrung/Abkühlzeit

- VITO nach Gebrauch oder zum Transport in die Auffangwanne (6) stellen.
- Zulässige Lagerungstemperatur **+10°C bis +30°C**.

Abkühlphasen:

- Bis zu 2,5 Stunden wenn Netzkabel (10) ausgesteckt ist.
- Bei eingestecktem Netzkabel (10) ca. 15min.

9. Partikelfilterwechsel

Partikelfilter nach Bedarf wechseln. Der Wechselzyklus richtet sich nach dem Gebrauch von VITO und dem Verschmutzungsgrad des Frittieröls. Es können bis zu max. 10 Filtrationen mit einem Partikelfilter erreicht werden.

Lassen Sie keine Lücken zwischen dem Filter und den Kanten der Pump-Filtereinheit (11).



Lassen Sie die letzte Falte auf beiden Seiten der Pump-Filtereinheit (11) überlappen.

10. Reinigung

10.1 Hinweise

- Pump-Filtereinheit (11) bei jedem Wechsel des Partikelfilters reinigen.
- Reinigen Sie VITO nur im kalten Zustand.
- Benutzen Sie KEINE Scheuermittel.
- Benutzen Sie KEINE Drahtbürste oder Ähnliches.

10.2 Reinigung vorbereiten

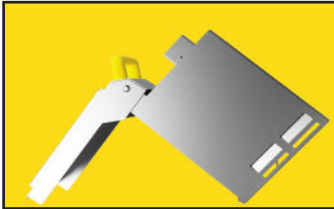
1. Sicherstellen, dass VITO abgekühlt ist.
2. Kreuzgriffe (7) lösen (beidseitig).
3. Steuereinheit (8) von der Pump-Filtereinheit (11) nehmen.
4. Filterdeckel der Pump-Filtereinheit (11) öffnen.
5. Partikelfilter entsorgen (siehe Kapitel 12.2 Entsorgung der Filter).
6. Manuelle oder maschinelle Reinigung.

10.3 Manuelle Reinigung

1. Steuereinheit (8) mit einem feuchten Tuch reinigen!
KEIN fließendes Wasser! Das beschädigt die Steuereinheit!
2. Pump-Filtereinheit (11) und Auffangwanne (6) abbrausen und/oder einweichen.
3. VITO abtrocknen.

10.4 Maschinelle Reinigung

1. Steuereinheit (8) nur mit einem feuchten Tuch reinigen! Die Steuereinheit (8) NIE in die Spülmaschine geben! Das beschädigt das Gerät.
2. Pump-Filtereinheit (11) und Auffangwanne (6) in die Spülmaschine geben. **Tipp:** Filterdeckel nicht ganz öffnen. So kann das Wasser besser zirkulieren.
3. Reinigungsprogramm starten.



Filterdeckel nicht ganz öffnen.



Nur Pump-Filtereinheit (11) und Auffangwanne (6) in die Spülmaschine geben.

10.5 Grundreinigung

Bei starker Verschmutzung der Pump-Filtereinheit (11): Reinigung mit Seifenlauge oder Fritteusenreiniger. Eine regelmäßige Grundreinigung ist zu empfehlen.

11. Fehlerbehebung

Funktionsstörung	Mögliche Ursache	Abhilfe
Poweranzeige (rote LED) (1) bleibt inaktiv	<ul style="list-style-type: none"> • Netzkabel (10) nicht eingesteckt • Netzkabel (10) defekt • Gerät defekt 	<ul style="list-style-type: none"> • Stecken Sie VITO ein • Bitte Service kontaktieren • Bitte Service kontaktieren
VITO ist sehr laut im Betrieb	<ul style="list-style-type: none"> • Kreuzgriffe (7) sind lose • Rotor defekt • Rotor streift an Fritteusenteilen 	<ul style="list-style-type: none"> • Kreuzgriffe (7) festdrehen • Bitte Service kontaktieren • Position von VITO in der Fritteuse ändern
Poweranzeige (rote LED) (1) blinkt und ein akustisches Signal ertönt.	<ul style="list-style-type: none"> • Übertemperatur 	<ul style="list-style-type: none"> • VITO abkühlen lassen • VITO an einen kühlen Platz stellen
Poweranzeige (rote LED) (1) und Filteranzeige (grüne LED) (2) blinken und ein akustisches Signal ertönt	<ul style="list-style-type: none"> • VITO steht mehr als 17° schräg • Starke Vibrationen • Filterdeckel nicht eingerastet 	<ul style="list-style-type: none"> • Position von VITO in der Fritteuse überprüfen • Bitte Service kontaktieren • Beschädigte, rotierende Teile • Filterdeckel einrasten
VITO startet nicht	<ul style="list-style-type: none"> • Steuereinheit (8) defekt 	<ul style="list-style-type: none"> • Bitte Service kontaktieren
Netzsicherung / FI-Schutzschalter löst aus	<ul style="list-style-type: none"> • Netzkabel (10) oder andere elektrische Komponenten defekt • Rotor defekt / blockiert • Stromkreis überlastet 	<ul style="list-style-type: none"> • Bitte Service kontaktieren • Bitte Service kontaktieren • Steckdose/Stromkreis wechseln
Geringe Filterleistung	<ul style="list-style-type: none"> • Partikelfilter voll • Pump-Filtereinheit (11) verstopft • Partikelfilter nicht richtig eingelegt • Motor defekt 	<ul style="list-style-type: none"> • Partikelfilter wechseln • Pump-Filtereinheit (11) leeren • Grundreinigung bei starker Verschmutzung • Filter wie beschrieben einlegen • Bitte Service kontaktieren
Öl spritzt seitlich und/oder hinten aus der Pump-Filtereinheit (11)	<ul style="list-style-type: none"> • Partikelfilter verstopft • Zu viel Spiel zwischen Filterdeckel und Pump-Filtereinheit (11) • Filter nicht überlappend eingelegt 	<ul style="list-style-type: none"> • Partikelfilter wechseln • Bitte Service kontaktieren • Filter wie beschrieben einlegen
Power- und Filteranzeige (1 & 2) blinken 10 Sekunden nach dem Einstecken und ein Signalton ertönt	<ul style="list-style-type: none"> • Start / Stop Taster (5) defekt • Steuereinheit (8) innen nass 	<ul style="list-style-type: none"> • Bitte Service kontaktieren • Bitte trocknen lassen
Internetverbindung kann nicht hergestellt werden	<ul style="list-style-type: none"> • Falsches Netzwerk gewählt • Falsches Passwort eingegeben • WLAN Signal zu schwach 	<ul style="list-style-type: none"> • Richtiges Netzwerk wählen • Richtiges Passwort eingeben • WLAN Signal verstärken • Router näher an VITO platzieren
“10.10.10.10“- Website wird nicht richtig dargestellt	<ul style="list-style-type: none"> • Veraltete Website im Cache • Nicht mit VITO verbunden 	<ul style="list-style-type: none"> • Cache löschen • Browserdaten löschen • Mit VITO verbinden (siehe Kapitel 6.5)
Spalt zwischen Steuereinheit (8) und Pump-Filtereinheit (11)	<ul style="list-style-type: none"> • Filterdeckel nicht ordnungsgemäß geschlossen • Filterdeckel oder Pump-Filtereinheit verbogen 	<ul style="list-style-type: none"> • Filterdeckel ordnungsgemäß schließen und in der Pump-Filtereinheit einrasten • Bitte Service kontaktieren

Sollten Sie hier nicht aufgeführte Störungen feststellen, wenden Sie sich bitte an die VITO Kundenbetreuung oder Ihren Händler! Kontaktdaten finden sie unter Kapitel 2. Rechtliche Hinweise.

12. Entsorgung

12.1 Entsorgung der Verpackung

- Die Verpackung recyceln oder
- bewahren Sie die Verpackung auf.

12.2 Entsorgung der Partikelfilter

- Gebrauchte Partikelfilter nach den örtlichen Vorgaben entsorgen.

12.3 Entsorgung der Altgeräte (Rücknahmekonzept b2b)

Alle Kunden der VITO AG können sich jederzeit an uns wenden, um bei Bedarf Altgeräte zurückzugeben. Dies geschieht in der Regel, wenn Geräte und/oder elektronische Platinen defekt sind bzw. wenn Geräte gegen eine neuere Gerätegeneration ausgetauscht werden. Die Geräte werden bei uns entsprechend demontiert und die getrennten Rohstoffe wieder in den Umweltkreis zurückgeführt. Alle elektronischen Komponenten werden über unsere bei ear® (Stiftung elektro-altgeräte register®) angegebenen Entsorgungsstellen abgegeben und über die jährliche Mitteilung an ear® nachgewiesen.

Senden Sie hierzu VITO an:

VITO AG

Eltastrasse 6
78532 Tuttlingen (Deutschland)

Für weitere Fragen kontaktieren Sie bitte Ihren lokalen Händler oder den VITO AG Kundendienst.

12.4 WEEE (Waste Electrical and Electronic Equipment) Richtlinie

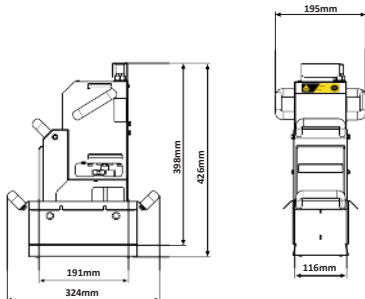
Werfen Sie Elektrowerkzeuge nicht in den Hausmüll! Gemäß der europäischen Richtlinie 2002/96/EG über Elektro- und Elektronikaltgeräte und Ihrer Umsetzung in nationales Recht müssen nicht mehr gebrauchsfähige Elektrowerkzeuge getrennt gesammelt und einer umweltgerechten Wiederverwertung zugeführt werden. Hersteller dieser Geräte sind dazu verpflichtet, nicht mehr gebrauchsfähige Produkte zurückzunehmen. Die VITO AG hält sich an die Vorschrift, nicht mehr gebrauchsfähige VITO - Markenprodukte, die in die EU verkauft wurden, zurückzunehmen. Sie können diese Produkte bei örtlichen Sammelstellen abgeben.

13. Technische Daten

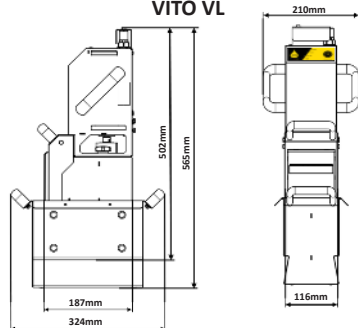
	VITO VM	VITO VL
Nennspannung Landesspezifisch (siehe Typenschild)	220 - 240 V ~ ±10% 100 - 120 V ~ ±10%	50 - 60 Hz 50 - 60 Hz
Stromaufnahme Nennbetrieb	ca. 1,2 A bei 230 V ca. 2,4 A bei 115 V	ca. 2,0 A bei 230 V ca. 4,0 A bei 115 V
Max. Leistung	300 W	500 W
Geräuschentwicklung	<85 db	
Benutzersteuerung	Start / Stop Taster (5)	
Betriebstemperaturen	Steuereinheit (8) max. 75°C - Pump-Filtereinheit (11) max. 200°C (empf. Frittier Temperatur max. 175°C)	
Lagerungstemperaturen	+10°C bis +30°C	
Gewicht	8,9 kg (mit Auffangwanne) 7,7 kg (ohne Auffangwanne)	10,5 kg (mit Auffangwanne) 8,8 kg (ohne Auffangwanne)
Akustisches Signal	ja	
Netzwerkverbindung	WLAN 2.4GHz	
Partikelaufnahme	ca. 1,3 kg* (1,7 l)	ca. 2,5 kg* (3 l)
Partikelfilter	Zellstoff FDA-CFR 21	
Betriebsart	Aussetzbetrieb	

*Standard Paniermehl

VITO VM



VITO VL



14. Konformitätserklärung

Ausgestellt von VITO AG | Eltastrasse 6 78532 Tuttlingen (Germany) | Tel. : +49 (0) 7461 / 96289-0
Fax : +49 (0) 7461 / 96289-12 | Email: info@vito.ag

Für das Produkt VITO VM & VL: EU Patent Nr. 1326692 / U.S. Patent Nr. US7.052.605.B2

Die Profi-Frittierölfiltrationssysteme werden nach folgenden Normen hergestellt und geprüft:

Im Sinne der EU Richtlinien :

- 2006/42/EG Maschinenrichtlinie
- 2014/30/EU Elektromagnetische Verträglichkeit
- 2014/35/EU Niederspannungsrichtlinie
- 2011/65/EU RoHS - Richtlinie (Restriction of certain Hazardous Substances)
- 2003/10/EC Mindestvorschriften zum Schutz von Sicherheit und Gesundheit der Arbeitnehmer
- 2012/19/EU Richtlinie für Elektro- und Elektronik-Altgeräte
- 2014/53/EU Funkanlagenrichtlinie

- EN 61000-6-1: 2019 Immunität
- EN 61000-6-2: 2019 Immunität
- EN 61000-6-3: 2022 Emission
- EN 61000-6-4: 2020 Emission

- DIN 18876:2018-06: Großküchengeräte - Tragbare nicht integrierte Öl-/Fett-Filtrationsgeräte - Anforderungen und Prüfung

mit Deutschen, Europäischen und Internationalen (Nicht- Europäischen) Standards

Deutscher Standard DIN EN		Europäischer Standard EN		Internationaler Standard IEC (IEC/CISPR)
DIN EN 61000-6-1:2019-11	basiert auf	EN 61000-6-1:2019	basiert auf	IEC 61000-6-1:2016
DIN EN 61000-6-2:2019-11	basiert auf	EN 61000-6-2:2019	basiert auf	IEC 61000-6-2:2016
DIN EN 61000-6-3:2022-06	basiert auf	EN 61000-6-3:2022-06	basiert auf	IEC 61000-6-3:2006 + A1:2010
DIN EN 61000-6-4:2020-09	basiert auf	EN 61000-6-4:2019	basiert auf	IEC 61000-6-4:2018
DIN EN 61000-3-2:2019-12	basiert auf	EN 61000-3-2:2019	basiert auf	IEC 61000-3-2:2018
DIN EN 61000-3-3:2020-07	basiert auf	EN 61000-3-3:2013 + A1:2019	basiert auf	IEC 61000-3-3:2013-05
DIN EN 60335-1:2020-08	basiert auf	EN 60335-1:2014-11	basiert auf	IEC 60335-1:2010. modifiziert
DIN EN 12100:2011-03	basiert auf	EN 12100:2011-03	basiert auf	ISO 12100:2011-03
DIN EN 60204-1:2019-06	basiert auf	EN 60204-1:2019-06	basiert auf	IEC 60204-1:2016, modifiziert
DIN EN 55014-1:2018-08	basiert auf	EN 55014-1:2018-08	basiert auf	CISPR 14-1:2016 + COR1:2016
DIN EN 55014-2:2022-10	basiert auf	EN 55014-2:2016-01	basiert auf	CISPR 14-2:2015
-	-	VO (EG) Nr. 2023/2006	-	IEC 60884-2-1
EGV 1935/2004	-	VO (EG) Nr. 1935/2004	-	-
-	-	VO (EU) Nr. 10/2011	-	-
DIN EN 10088-1:2014-12	-	-	-	-
DIN 18876 A1:2018-06	-	-	-	-
DIN 18876 A2:2018-06	-	-	-	-
DIN 18876 A3:2018-06	-	-	-	-
DIN EN 50396:2006-07	-	-	-	-
DIN EN 61003-2:2017-06	-	-	-	-
DIN EN 10095:2018-12	-	-	-	-
DIN EN 10269:2014-02	-	-	-	-
DIN EN 10302:2008-06	-	-	-	-
DIN EN 82079-1:2013-06	-	-	-	-
ProdSG	basiert auf	2001/95/EG	-	-
LFGB	-	-	-	-
DGUV-Regel 110-001	-	-	-	-

Tuttlingen, 2022



Andreas Schmidt
CEO
VITO AG



Contenido

1. Producto	2
1.1 Descripción del producto	2
1.2 Alcance de la entrega	2
2. Información legal	2
3. Prefacio	3
4. Instrucciones de seguridad	3
4.1 Explicación de los símbolos	3
4.2 Instrucciones de seguridad	3
4.3 Uso previsto	3
5. Funciones de seguridad	4
5.1 Protección contra el vuelco y las vibraciones	4
5.2 Señal acústica	4
5.3 Sobrecalentamiento	4
6. Antes de la puesta en servicio	4
6.1 Tiempo de filtración	4
6.2 Refrigeración activa	4
6.3 Comprobación de los ajustes de fábrica	4
6.4 Programación fuera de línea	4
6.4.1 Ajuste del tiempo de filtración	4
6.4.2 Activación / desactivación de la señal acústica	4
6.5 Programación en línea	5
6.5.1 Ajuste del tiempo de filtración	5
6.5.2 Activación / desactivación de la señal acústica	5
6.6 Conexión a Internet	5
6.7 Código QR	5
7. Proceso de filtración	6
7.1 Preparación para la filtración	6
7.2 Inicio del proceso de filtración	6
7.3 Detener la filtración antes de tiempo	6
8 Tiempo de almacenamiento/refrigeración	6
9. Cambiar el filtro de partículas	6
10. Limpieza	7
10.1 Notas	7
10.2 Preparación de la limpieza	7
10.3 Limpieza manual	7
10.4 Limpieza mecánica	7
10.5 Limpieza básica	7
11. Solución de problemas	8
12. Eliminación	8
12.1 Eliminación de los envases	8
12.2 Eliminación de los filtros	9
12.3 Eliminación de unidades antiguas	9
12.4 Directiva RAEE (residuos de aparatos eléctricos y electrónicos)	9
13. Datos técnicos	9
14. Declaración de conformidad	10

1. Producto



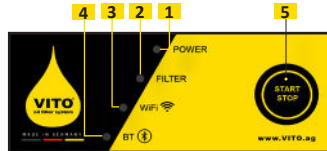
VITO VM

VITO VL

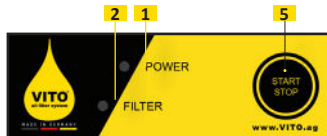
1.1 Descripción del producto

1. Indicador de encendido (LED rojo)
2. Indicador de filtro (LED verde)
3. Indicador WiFi (LED rosa) (sólo VL)
4. Indicador BT (LED azul) (sólo VL)
5. Botón Start / Stop
6. Bandeja de goteo
7. Tornillos (2 uds.)
8. Unidad de control
9. Mango
10. Cable de alimentación
11. Unidad de bomba-filtro
12. Aberturas de ventilación
13. Protección del cable
14. Soporte del cable (sólo VL)
15. Panel de control
16. Placa de características

Panel de control VL (15)



Panel de control VM (15)



1.2 Alcance de la entrega

- Filtro de aceite de freír VITO
- Manual del usuario
- Instrucciones breves
- Filtro de partículas (11 uds.) (uno ya insertado)
- Bandeja de goteo

Placa de características (16)



2. Información legal

VITO AG

Eltastrasse 6
78532 Tuttlingen (Alemania)
Tel.: +49 (0) 7461 / 96289-0
Fax: +49 (0) 7461 / 96289-12
info@vito.ag
www.vito.ag

DIRECTOR GENERAL:

Andreas Schmidt (MBA, Dipl.-Wirt.Ing)
Sede central: Tuttlingen, Alemania
Re. Tribunal: Stuttgart HRB-750227

En colaboración con:

Universidad de Ciencias Aplicadas Albstadt-Sigmaringen
- Ingeniería Industrial -

Jakobstrasse 1
72458 Albstadt

Copyright © VITO AG

Todos los derechos reservados.

Este documento está sujeto a los derechos de autor de VITO AG.

Sin el consentimiento previo por escrito de VITO AG, el documento o partes del mismo no podrán ser reproducidos ni utilizados en contra de sus intereses legítimos. Nos reservamos el derecho a realizar cambios en aras del progreso técnico.

3. Prefacio

Estimado cliente de VITO,

Gracias por elegir un producto de VITO AG.

Lea atentamente el manual de usuario para conseguir un uso seguro y unos resultados de filtración óptimos.

Si tiene alguna pregunta, no dude en ponerse en contacto con su distribuidor o con el nuestro servicio de atención al cliente.

Agradecemos las sugerencias y propuestas sobre los filtros de aceite de fritura VITO y/o el manual de usuario (ver información de contacto en el capítulo 2 Información legal). Esperamos que disfrute del uso de su filtro de aceite para freír VITO durante mucho tiempo y que aumente la eficiencia de su operación. Con VITO dispondrá de un sistema de filtración de aceite de fritura de alta calidad del que puede esperar una larga vida útil del producto y un apoyo eficaz en su trabajo.

4. Instrucciones de seguridad

4.1 Explicación de los símbolos

El funcionamiento incorrecto de la VITO puede provocar peligros y lesiones. Hay que tener en cuenta lo siguiente.

Los posibles peligros están marcados con estos símbolos:



Advertencia
Riesgo de lesiones en caso de incumplimiento



Riesgo de descarga eléctrica
debido a una manipulación incorrecta o a la apertura de la carcasa



Peligro de deslizamiento
Posible contaminación en el suelo



Precaución
Instrucciones de seguridad importantes



Riesgo de quemaduras
debido al funcionamiento incorrecto de VITO



Instrucciones de uso
Información sobre el funcionamiento de la VITO

4.2 Instrucciones de seguridad

- VITO NO está aprobado para la filtración de líquidos que no sean aceites de freír.
- ¡NO utilice ni almacene VITO en el exterior! Daños debidos a la lluvia o la humedad.
- VITO NO está diseñado para un funcionamiento continuo. (Riesgo de sobrecalentamiento/incendio).
- ¡Está estrictamente prohibido que los niños utilicen VITO!
- NO cubra las aberturas de ventilación (12).
- NO toque el cable de alimentación (10) ni la unidad de control (8) con las manos mojadas.
- NO pise ni doble el cable de alimentación (10).
- NO permita que el cable de alimentación (10) entre en contacto con aceite caliente u otros objetos calientes.
- VITO solamente puede funcionar con conexiones de clase de protección I (con contacto de protección a tierra).
- Limpie la VITO antes de utilizarla por primera vez (véase el capítulo 10 Limpieza).
- La tensión de red local debe coincidir con la tensión indicada en la placa de características (16).
- La temperatura máxima de funcionamiento es de 200°C (temperatura de fritura recomendada 175°C).
- NO encienda la VITO cuando no esta en contacto con el aceite.
- Tenga cuidado con las varillas de calentamiento, las rejillas o los sensores térmicos de la freidora.
- Transporte la VITO solo con ayuda de las asas negras (9).
- ¡NO use la VITO en posición diagonal!
- ¡NO mueva el VITO durante la filtración!

4.3 Uso previsto

- VITO está diseñado para su uso comercial en la hostelería.
- Respete las instrucciones de seguridad. La filtración solamente es posible cuando el aceite es líquido.
- VITO solamente debe ser utilizada por personal debidamente formado.
- VITO está diseñada para un funcionamiento intermitente.

¡La empresa no se hace responsable por daños causados por el uso inadecuado!

5. Funciones de seguridad

5.1 Protección contra el vuelco y las vibraciones

Si la VITO se coloca inclinada más de 17°, se inclina o vibra demasiado debido a un defecto o a una colocación incorrecta, la VITO termina la filtración inmediatamente. El indicador de encendido (1) y el indicador de filtro (2) parpadean y suena una señal repetitiva.

5.2 Señal acústica

Suena una señal acústica después de que se haya iniciado el dispositivo. VITO está entonces listo para el uso. Al final de cada ciclo de filtración, suena una señal acústica durante 5 segundos. La señal acústica se puede desactivar (véase el capítulo 6 Antes de la puesta en servicio).

5.3 Sobre calentamiento

En caso de sobre calentamiento (unidad de control >75°C), VITO detiene el proceso de filtración.

El indicador de encendido (1) parpadea y VITO emite una señal acústica.

Saque la VITO de la freidora y guárdela correctamente (véase el capítulo 8 Tiempo de almacenamiento/enfriamiento).

6. Antes de la puesta en servicio

6.1 Tiempo de filtración

El ajuste de fábrica para el tiempo de filtración es de **4,5 min**. Es posible un **máximo de 16 ciclos** en sucesión directa.

6.2 Refrigeración activa

VITO dispone de refrigeración activa. La refrigeración activa depende de la temperatura y se enciende automáticamente. Tras el arranque, se realiza una comprobación de funcionamiento.

6.3 Comprobación de los ajustes de fábrica

1. Mantenga pulsado el botón Start / Stop (5).
2. Enchufe el cable de alimentación (10). Mientras tanto, mantenga pulsado el botón Start / Stop (5).
3. Mantenga pulsado el botón Start / Stop (5) durante 5 segundos. VITO emite una señal acústica y el indicador de filtro (2) se enciende brevemente.
4. El tiempo de ciclo programado se indica mediante el parpadeo de las pantallas.
5. El indicador de encendido (1) muestra 1 minuto por parpadeo.
6. El indicador de filtro (2) muestra 30 segundos por parpadeo.

Por ejemplo:

4x rojo = 4 min.

1x verde = 30 seg.

= tiempo de ciclo: 4 min. 30 seg.

6.4 Programación fuera de línea

6.4.1 Ajuste del tiempo de filtración

Para reajustar la duración del ciclo, siga los pasos del capítulo 6.3 Comprobación de los ajustes de fábrica, a continuación:

1. Pulse el botón de Start / Stop (5) inmediatamente después de que se muestre el tiempo del ciclo.
2. Pulse el botón de Start / Stop (5) para prolongar la duración del ciclo en 30 segundos (comienza en 0 seg.) (por ejemplo, pulse 3 veces para 1 min 30 seg. etc.).
3. Una vez ajustado el tiempo de ciclo deseado, espere hasta que se encienda brevemente el indicador de filtro (2) y suene una señal acústica.
4. Desenchufe el cable de alimentación (10).

6.4.2 Activación / desactivación de la señal acústica

Para ajustar el volumen de la señal, siga las instrucciones del capítulo 6.3 Comprobación de los ajustes de fábrica, a continuación:

1. Espere hasta que el indicador de filtro (2) se encienda brevemente y suene una breve señal acústica.
2. Pulse el botón Start / Stop (5) para ajustar la señal.
Los indicadores muestran el estado:
Indicador de encendido (1) = Sonido apagado.
Indicador de encendido (1) + Indicador de filtro (2) = Sonido encendido.
3. Una vez realizado el ajuste deseado, espere a que se encienda brevemente el indicador de filtro (2) y suene una señal acústica.
4. Desenchufe el cable de alimentación (10).

6.5 Programación en línea

VITO ofrece la opción de configurar el tiempo de filtración, la señal acústica y la conexión de red en línea con un smartphone, una tableta o un PC.

1. Conecta la VITO.
2. Abra la configuración WiFi de su dispositivo (tableta, smartphone o PC).
3. Busque la red „VITO Config + Número de serie“. Encontrará el número de serie (SN) de la VITO en la placa de características (16).
4. Conéctate a la red.
5. Introduzca la contraseña: **12345789**. La pantalla WiFi (3) parpadea (sólo VL).
6. Abre el navegador web.
7. Introduzca la dirección IP 10.10.10.10
8. Haga clic en VITO Drop.
9. Inicie sesión con los siguientes datos:
Nombre de usuario: **user**
Contraseña: **Vito2k18**
10. Si es necesario, cambie el idioma haciendo clic en EN, DE, etc.

6.5.1 Ajuste del tiempo de filtración

Para ajustar el tiempo de filtración, siga las instrucciones del capítulo 6.5 Programación en línea, a continuación:

1. Seleccione la duración de la filtración deseada.
2. Haga clic en “Guardar”. El indicador de filtro (2) se enciende brevemente y suena una señal acústica.

6.5.2 Activación / desactivación de la señal acústica

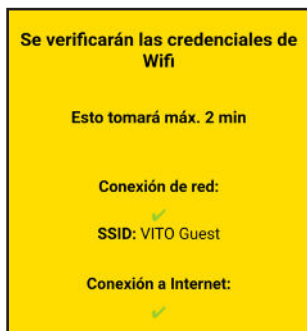
Para ajustar el volumen de la señal, siga las instrucciones del capítulo 6.5 Programación en línea:

1. En la opción de menú “Timbre”, seleccione si debe activarse o desactivarse. El indicador de filtro (2) se enciende brevemente y suena una señal acústica.

6.6 Conexión a Internet

Para poder utilizar VITOconnect en toda su extensión, VITO necesita una conexión a Internet. Para ello, se necesita un WiFi de 2,4 GHz suficientemente potente. Para integrar VITO en su red, siga las instrucciones del capítulo 6.5 Programación en línea, a continuación:

1. Haga clic en “Configuración WiFi”.
2. Seleccione la red.
3. Introduzca la contraseña de la red. (Si no tiene una contraseña de red, deje este campo en blanco).
4. Compruebe la contraseña de la red haciendo clic en “Mostrar contraseña”.
5. Haga clic en „Guardar“. VITO comprueba ahora la conexión de red/Internet.



Conectado con éxito.



No está conectado.
Comprobar la red y la contraseña.

VITO solamente recoge y envía datos de uso. No se recogen ni envían datos personales.

En <https://connect.vito.ag/> encontrará una descripción general en línea de los datos de uso, los servicios y las actualizaciones.

6.7 Código QR

Escanee el código QR de la unidad de control (8) para acceder fácilmente a una página web con información útil y numerosos consejos sobre su VITO.

7. Proceso de filtración

7.1 Preparación para la filtración

1. Retire la VITO de la bandeja de goteo (6).
2. Introduzca el filtro de partículas en la unidad de bomba-filtro (11) (véase el capítulo 9 Cambio del filtro de partículas).
3. Cierre la tapa del filtro. Encaje y asegure la tapa en las ranuras en la parte inferior de la máquina.
4. Coloque la unidad de control (8) en la unidad de bomba-filtro (11).
5. Asegúrese de que no hay espacio entre la unidad de control (8) y la unidad de bomba-filtro (11). Esto indica que la tapa del filtro no se ha cerrado correctamente y se ha encajado.
6. Apriete los tornillos (7) a los lados.



No debe haber ningún espacio entre la unidad de control (8) y la unidad de bomba-filtro (11).

7.2 Inicio del proceso de filtración

7. Coloque el VITO en la freidora.
8. Asegure que la VITO este firmemente posicionada.
9. Compruebe el nivel de aceite para freír (observe las marcas MIN y MAX).
10. Enchufe el cable de alimentación (10).
El indicador de encendido (1) se ilumina.
11. Pulse el botón de Start / Stop (5).
El indicador del filtro (2) se enciende durante la filtración.

7.3 Detener la filtración antes de tiempo

1. Pulse el botón de Start / Stop (5).
El indicador de filtro (2) se apaga.
2. Levante el VITO y deje que el aceite restante drene en la freidora.
3. Almacene la VITO como se describe en el capítulo 8 Tiempo de almacenamiento/refrigeración. 8.

8 Tiempo de almacenamiento/refrigeración

- Coloque VITO en la bandeja de goteo (6) después de su uso o para su transporte.
- Temperatura de almacenamiento permitida **+10°C a 30°C / +50°F a +86°F**.

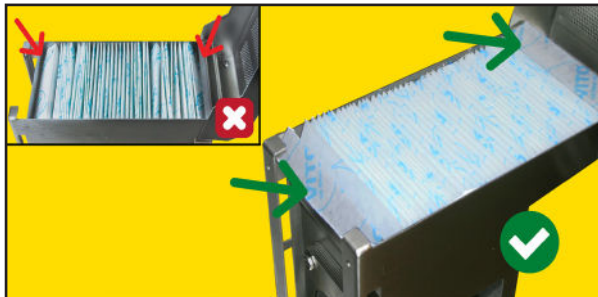
Fases de enfriamiento:

- Hasta 2,5 horas con el cable de alimentación (10) desenchufado.
- Aproximadamente 15 minutos cuando el cable de alimentación (10) está enchufado.

9. Cambiar el filtro de partículas

Cambie el papel de filtro según sea necesario. El cambio de filtro depende del uso de VITO y del grado de contaminación del aceite de freír. Hasta un máximo de 10 filtraciones se pueden lograr con un filtro de partículas.

No deje huecos entre el filtro y los bordes de la unidad bomba-filtro (11).



Deje que el último pliegue se superponga a ambos lados de la unidad de bomba-filtro (11).

10. Limpieza

10.1 Notas

- Limpie la unidad bomba-filtro (11) cada vez que cambie el filtro de partículas.
- Limpie la VITO solamente cuando esté fría.
- NO utilice limpiadores abrasivos.
- NO utilice un cepillo de alambre o similar.

10.2 Preparación de la limpieza

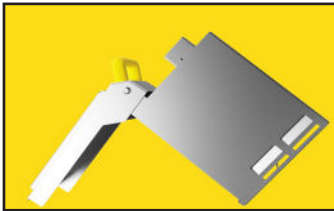
1. Asegúrese de que VITO se ha enfriado.
2. Afloje los tornillos (7) (ambos lados).
3. Separe la unidad de control (8) de la unidad de bomba-filtro (11).
4. Abra la unidad de bomba-filtro (11).
5. Descheche el filtro de partículas (véase el capítulo 12.2 Eliminación de los filtros).
6. Limpieza manual o en el lavavajillas.

10.3 Limpieza manual

1. Limpie la unidad de control (8) solamente con un paño húmedo. ¡NO use agua corriente! Esto dañará la unidad de control.
2. Lave la unidad de bomba-filtro (11) y la bandeja de goteo (6).
3. Seca el VITO.

10.4 Limpieza en el lavavajillas

1. Limpie la unidad de control (8) sólo con un paño húmedo. No introduzca NUNCA la unidad de control (8) en el lavavajillas. Esto dañará la unidad.
2. Coloque la unidad de bomba-filtro (11) y la bandeja de goteo (6) en el lavavajillas. **Sugerencia:** No abra la tapa del filtro por completo. Este permite que el agua circule mejor.
3. Inicie el programa de limpieza.



No abra completamente la tapa del filtro.



Coloque sólo la unidad de bomba-filtro (11) y la bandeja de goteo (6) en el lavavajillas.

10.5 Limpieza básica

Si la unidad de bomba-filtro (11) está muy sucia, límpiela con agua jabonosa o con un limpiador para freidoras. Se recomienda una limpieza básica periódica.

11. Solución de problemas

Mal funcionamiento	Causa Posible	Remedio
El indicador de encendido (LED rojo) (1) permanece inactivo	<ul style="list-style-type: none"> Cable de alimentación (10) no enchufado Cable de alimentación (10) defectuoso Unidad defectuosa 	<ul style="list-style-type: none"> Enchufe VITO Póngase en contacto con el servicio técnico Póngase en contacto con el servicio técnico
La VITO es muy ruidosa durante su funcionamiento	<ul style="list-style-type: none"> Los tornillos (7) están sueltas Rotor defectuoso El rotor toca partes de la freidora 	<ul style="list-style-type: none"> Apriete los tornillos (7) Póngase en contacto con el servicio técnico Cambie la posición de VITO en la freidora
El indicador de encendido (LED rojo) (1) parpadea y suena una señal acústica.	<ul style="list-style-type: none"> Sobrecalentamiento 	<ul style="list-style-type: none"> Deje que VITO se enfríe Ponga VITO en un lugar fresco
El indicador de encendido (LED rojo) (1) y el indicador de filtro (LED verde) (2) parpadean y suena una señal acústica.	<ul style="list-style-type: none"> VITO está inclinado más de 17° Fuertes vibraciones 	<ul style="list-style-type: none"> Compruebe la posición de la VITO en la freidora Póngase en contacto con el servicio técnico Piezas giratorias dañadas La tapa del filtro no está correctamente cerrada
VITO no se inicia	<ul style="list-style-type: none"> Unidad de control (8) defectuosa 	<ul style="list-style-type: none"> Póngase en contacto con el servicio técnico
El fusible se funde / dispara	<ul style="list-style-type: none"> Cable de alimentación (10) u otros componentes eléctricos defectuosos Rotor defectuoso / bloqueado Circuito eléctrico sobrecargado 	<ul style="list-style-type: none"> Póngase en contacto con el servicio técnico Póngase en contacto con el servicio técnico Cambie el enchufe/circuito
Bajo rendimiento del filtro	<ul style="list-style-type: none"> Filtro de partículas lleno Unidad de bomba-filtro (11) obstruida Motor defectuoso Filtro de partículas no está bien colocado 	<ul style="list-style-type: none"> Cambiar el filtro de partículas Vaciar la unidad de bomba-filtro (11) Limpieza básica en caso de mucha suciedad Insertar el filtro como se describe Póngase en contacto con el servicio técnico
El aceite salpica por la parte lateral o trasera de la unidad de bomba-filtro (11)	<ul style="list-style-type: none"> Filtro de partículas lleno Demasiada holgura entre la tapa del filtro y la unidad de bomba-filtro (11) El filtro no se solapa con el insertado 	<ul style="list-style-type: none"> Cambie el filtro de partículas Póngase en contacto con el servicio técnico Inserte el filtro como se describe
Los indicadores de encendido y de filtro (1 y 2) parpadean 10 segundos después de la conexión y se escucha una señal acústica	<ul style="list-style-type: none"> Botón de Start / Stop (5) defectuoso Unidad de control (8) mojada por dentro 	<ul style="list-style-type: none"> Póngase en contacto con el servicio técnico Deje secar
No se puede establecer la conexión a Internet	<ul style="list-style-type: none"> Red incorrecta seleccionada Contraseña incorrecta Señal WiFi demasiado débil 	<ul style="list-style-type: none"> Seleccione la red correcta Introduzca la contraseña correcta Refuerce la señal WiFi Coloque el enrutador más cerca de VITO
"10.10.10.10" - el sitio web no se muestra correctamente	<ul style="list-style-type: none"> Sitio web obsoleto en la memoria caché No está conectado a VITO 	<ul style="list-style-type: none"> Borrar la caché Borrar los datos del navegador Conectar con VITO (ver capítulo 6.5)
Espacio entre la unidad de control (8) y la unidad de bomba-filtro (11)	<ul style="list-style-type: none"> La tapa del filtro no está bien cerrada Tapa del filtro o unidad de bomba-filtro doblada 	<ul style="list-style-type: none"> Cerrar bien la tapa del filtro y encajarla en la unidad de bomba-filtro Póngase en contacto con el servicio técnico

Si encuentra algún fallo que no aparezca aquí, póngase en contacto con el servicio de atención al cliente de VITO o con su distribuidor. Los datos de contacto se encuentran en el capítulo 2. Información legal

12. Eliminación de desechos

12.1 Deshecho del empaque

- Reciclar los empaques
o
- Conserve el embalaje.

12.2 Eliminación de los filtros

- Elimine los filtros usados de acuerdo con la normativa local.

12.3 Eliminación de unidades antiguas

Todos los clientes de VITO AG pueden ponerse en contacto con nosotros en cualquier momento para devolver los equipos de desecho si así lo desean. Esto suele ocurrir cuando los dispositivos y/o las placas de circuitos electrónicos están defectuosos o cuando los dispositivos se cambian por otros de nueva generación. Desmontamos los aparatos como corresponde y devolvemos las materias primas separadas al ciclo medioambiental. Todos los componentes electrónicos se entregan a través de nuestros puntos de eliminación especificados en ear® (stiftung elektro-altgeräte register®) y se acreditan mediante la notificación anual a ear®.

Para ello, envíe su VITO a:

VITO AG

Eltastrasse 6
78532 Tuttlingen (Alemania)

Si tiene más preguntas, póngase en contacto con su distribuidor local o con el servicio de atención al cliente de VITO AG.

12.4 Directiva RAEE (residuos de aparatos eléctricos y electrónicos)

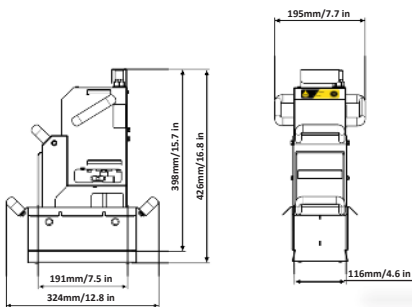
No tire las herramientas eléctricas a la basura doméstica. Según la Directiva europea 2002/96/CE sobre residuos de aparatos eléctricos y electrónicos (RAEE) y su aplicación en la legislación nacional, las herramientas eléctricas que ya no son utilizables deben recogerse por separado y reciclarse de forma respetuosa con el medio ambiente. Los fabricantes de estos aparatos están obligados a retirar los productos que ya no pueden utilizarse. VITO AG cumple con la normativa para recuperar los productos de la marca VITO que ya no son utilizables y que han sido vendidos a la UE. Puede devolver estos productos en los puntos de recogida locales.

13. Datos técnicos

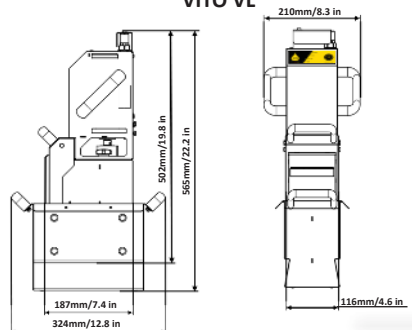
	VITO VM	VITO VL
Tensión nominal específica del país (ver placa de características)	220 - 240 V ~ ±10% 100 - 120 V ~ ±10%	50 - 60 Hz 50 - 60 Hz
Funcionamiento nominal de consumo de corriente	aprox. 1,2 A at 230 V aprox. 2,4 A at 115 V	aprox. 2.0 A at 230 V aprox. 4.0 A at 115 V
Poder máximo	300 W	500 W
Nivel de ruido	<85db	
Control de usuario	Botón Start / Stop (5)	
Temperaturas de funcionamiento	Unidad de control (8) max. 75°C / 167°F - Unidad de filtro de bomba (11) max. 200°C / 392°F (Temperatura de fritura recomendada max. 175°C / 347°F)	
Temperaturas de almacenamiento	+10°C a +30°C / 50°F a +86°F	
Peso	8,9 kg / 19.6 lbs (con bandeja de goteo) 7,7 kg / 17 lbs (sin bandeja de goteo)	10.5 kg / 23.2 lbs (con bandeja de goteo) 8.8 kg / 19.4 lbs (sin bandeja de goteo)
Señal acústica	sí	
Conexión a la red	WiFi 2.4GHz	
Recogida de partículas	aprox. 1.3 kg / 2.9 lbs* (1.7 l)	aprox. 2.5 kg / 5.5 lbs* (3 l)
Filtro de partículas	Pulpa FDA-CFR 21	
Modo operativo	Funcionamiento intermitente	

*pan rallado normal

VITO VM



VITO VL



14. Declaración de conformidad

Emitido por VITO AG | Eltastrasse 6 78532 Tuttlingen (Alemania) | Tel. : +49 (0) 7461 / 96289-0
 Fax : +49 (0) 7461 / 96289-12 | Email: info@vito.ag

Para el producto: VITO VM & VL: EU Patent No. 1326692 / U.S. Patent No. US7.052.605.B2

Los sistemas profesionales de filtración de aceite para freír se fabrican y prueban de acuerdo con las siguientes normas:

De acuerdo con las Directivas de la UE :

- 2006/42/EG Directiva sobre máquinas
- 2014/30/EU Compatibilidad electromagnética
- 2014/35/EU Directiva de baja tensión
- 2011/65/EU Directiva RoHS (Restricción de determinadas sustancias peligrosas)
- 2003/10/EC Requisitos mínimos de salud y seguridad para los trabajadores
- 2012/19/EU Directiva sobre residuos de aparatos eléctricos y electrónicos
- 2014/53/EU Directiva sobre equipos radioeléctricos

- EN 61000-6-1: 2019 Inmunidad
- EN 61000-6-2: 2019 Inmunidad
- EN 61000-6-3: 2022 Emisión
- EN 61000-6-4: 2020 Emisión
- DIN 18876:2018-06: Aparatos de cocina para comedores - Aparatos portátiles de filtración de aceite/grasa no integrados - Requisitos y pruebas

con las normas alemanas, europeas e internacionales (no europeas)

Norma alemana DIN EN		Norma europea EN		Norma internacional IEC (IEC/CISPR)	
DIN EN 61000-6-1:2019-11	basado en	EN 61000-6-1:2019	basado en	IEC 61000-6-1:2016	
DIN EN 61000-6-2:2019-11	basado en	EN 61000-6-2:2019	basado en	IEC 61000-6-2:2016	
DIN EN 61000-6-3:2011-09	basado en	EN 61000-6-3:2011-09	basado en	IEC 61000-6-3:2006 + A1:2010	
DIN EN 61000-6-4:2020-09	basado en	EN 61000-6-4:2019	basado en	IEC 61000-6-4:2018	
DIN EN 61000-3-2:2019-12	basado en	EN 61000-3-2:2019	basado en	IEC 61000-3-2:2018	
DIN EN 61000-3-3:2020-07	basado en	EN 61000-3-3:2013 + A1:2019	basado en	IEC 61000-3-3:2013-05	
DIN EN 60335-1:2020-08	basado en	EN 60335-1:2014-11	basado en	IEC 60335-1:2010, modified	
DIN EN 12100:2011-03	basado en	EN 12100:2011-03	basado en	ISO 12100:2011-03	
DIN EN 60204-1:2019-06	basado en	EN 60204-1:2019-06	basado en	IEC 60204-1:2016, modified	
DIN EN 55014-1:2018-08	basado en	EN 55014-1:2018-08	basado en	CISPR 14-1:2016 + COR1:2016	
DIN EN 55014-2:2022-10	basado en	EN 55014-2:2016-01	basado en	CISPR 14-2:2015	
-	-	VO (EG) Nr. 2023/2006	-	IEC 60884-2-1	
EGV 1935/2004	-	VO (EG) Nr. 1935/2004	-	-	
		VO (EU) Nr. 10/2011			
DIN EN 10088-1:2014-12	-	-	-	-	
DIN 18876 A1:2018-06	-	-	-	-	
DIN 18876 A2:2018-06	-	-	-	-	
DIN 18876 A3:2018-06	-	-	-	-	
DIN EN 50396:2006-07	-	-	-	-	
DIN EN 61003-2:2017-06	-	-	-	-	
DIN EN 10095:2018-12	-	-	-	-	
DIN EN 10269:2014-02	-	-	-	-	
DIN EN 10302:2008-06	-	-	-	-	
DIN EN 82079-1:2021-09	-	-	-	-	
ProdSG	basado en	2001/95/EG	-	-	
LFGB	-	-	-	-	
DGUV-Regel 110-001	-	-	-	-	

Tuttlingen, 2022



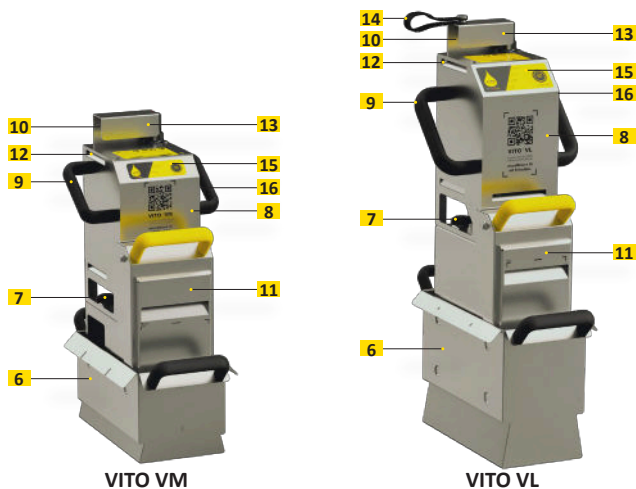
Andreas Schmidt
 CEO
 VITO AG



Contenuti

1. Prodotto	2
1.1 Descrizione prodotto	2
1.2 Contenuto della confezione	2
2. Note legali	2
3. Introduzione	3
4. Indicazioni di sicurezza	3
4.1 Simboli e segnali	3
4.2 Indicazioni di sicurezza	3
4.3 Utilizzo corretto	3
5. Funzioni di sicurezza	4
5.1 Anti-ribaltamento e anti-vibrazione	4
5.2 Segnale acustico	4
5.3 Termoprotezione/surriscaldamento	4
6. Operazioni preliminari	4
6.1 Durata ciclo filtraggio	4
6.2 Raffreddamento attivo	4
6.3 Controllo delle impostazioni di fabbrica	4
6.4 Programmazione manuale	4
6.4.1 Regolare durata del ciclo di filtraggio	4
6.4.2 Attivare/disattivare il segnale acustico	4
6.5 Programmazione online	5
6.5.1 Regolare durata del ciclo di filtraggio	5
6.5.2 Attivare/disattivare il segnale acustico	5
6.6 Collegamento ad Internet	5
6.7 Codice QR	5
7. Procedura di filtraggio	6
7.1 Operazioni preliminari filtraggio	6
7.2 Iniziare il filtraggio	6
7.3 Interrompere anticipatamente il ciclo di filtraggio	6
8. Mantenimento/raffreddamento	6
9. Sostituzione del filtro in cellulosa	6
10. Pulizia	7
10.1 Avvertenze	7
10.2 Prima della pulizia	7
10.3 Pulizia manuale	7
10.4 Pulizia in lavastoviglie	7
10.5 Pulizia intensiva	7
11. Problemi e soluzioni	8
12. Smaltimento	8
12.1 Smaltimento dell'imballo	8
12.2 Smaltimento filtri in cellulosa	8
12.3 Smaltimento dei vecchi dispositivi	9
12.4 Direttiva RAEE (Rifiuti di Apparecchiature Elettriche ed Elettroniche)	9
13. Dati tecnici	9
14. Dichiarazione di conformità	10

1. Prodotto



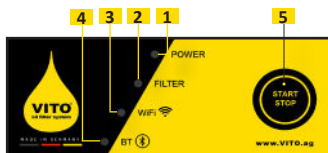
VITO VM

VITO VL

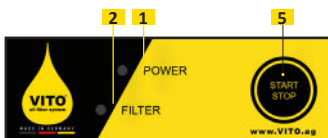
1.1 Descrizione prodotto

1. Alimentazione (LED rosso)
2. Filtraggio (LED verde)
3. WiFi (LED viola) (solo VL)
4. Bluetooth (LED blue) (solo VL)
5. Pulsante Start / Stop
6. Vaschetta sgocciolamento
7. Pomello a stella (entrambi i lati)
8. Unità elettrica
9. Maniglie
10. Cavo alimentazione
11. Unità pompa/filtro
12. Feritoie raffreddamento
13. Protezione cavo
14. Portacavo Quickpin (solo VL)
15. Pannello di controllo
16. Etichetta identificativa

Pannello di controllo VL (15)



Pannello di controllo VM (15)



1.2 Contenuto della confezione

- Sistema filtraggio olio VITO
- Manuale d'uso
- Istruzioni in breve
- Filtri in cellulosa (11 pz) (uno già inserito)
- Vaschetta sgocciolamento

Etichetta identificativa (16)



2. Note legali

VITO AG

Eltastrasse 6
78532 Tuttlingen (Germania)
Tel.: +49 (0) 7461 / 96289-0
Fax: +49 (0) 7461 / 96289-12
info@vito.ag
www.vito.ag

CEO:
Andreas Schmidt (MBA, Dipl.-Wirt.Ing)
Sede: Tuttlingen, Germania
Tribunale di riferimento:
Stuttgart HRB-750227

In collaborazione con:
Università Albstadt-Sigmaringen
- Facoltà di Ingegneria Industriale -
Jakobstrasse 1
72458 Albstadt

Copyright © VITO AG
Tutti i diritti sono riservati.

Questo documento è protetto da copyright di VITO AG.

E' vietata qualsiasi riproduzione e/o copia del presente documento, in parte o per intero, senza l'autorizzazione scritta da parte della VITO AG.

La VITO AG si riserva il diritto di apportare modifiche e integrazioni in base allo sviluppo tecnico dei prodotti.

3. Introduzione

Gentile cliente VITO,

Vi ringraziamo per aver scelto un prodotto della gamma VITO AG.

Preghiamo di leggere con attenzione il libretto istruzioni per un uso corretto e sicuro del dispositivo e per ottenere i migliori risultati di filtraggio.

Per ulteriori informazioni e/o chiarimenti rivolgersi al vostro rivenditore di fiducia oppure al Servizio clienti (recapiti nell'apposita sezione). Saremmo lieti di ricevere commenti e/o suggerimenti riguardanti il sistema di filtraggio olio VITO e il relativo manuale d'uso (troverete i nostri recapiti nel relativo capitolo di questo manuale).

Ci auguriamo che possiate usufruire a lungo e con soddisfazione del sistema di filtraggio olio VITO nello svolgimento della vostra attività. VITO è un sistema di filtraggio olio di alta qualità con il quale è possibile ottenere un efficiente e durevole aiuto nella vostra cucina professionale.

4. Indicazioni di sicurezza

4.1 Simboli e segnali

L'errato utilizzo di VITO può causare pericoli e infortuni. Prestare attenzione alle seguenti precauzioni/avvertenze.

Precauzioni ed avvertenze saranno evidenziate dai seguenti simboli d'avvertimento:



Attenzione
Pericolo di infortuni in caso non venga rispettato quanto indicato



Rischio di scariche elettriche
per uso non corretto o in caso di apertura dell'unità elettrica



Pericolo di cadute
Possibili gocce d'olio sul pavimento



Attenzione
importanti avvisi di sicurezza



Rischio di ustioni
per l'operatore in caso di utilizzo non corretto di VITO



Istruzioni operative
Informazioni pratiche sul corretto utilizzo di VITO

4.2 Indicazioni di sicurezza

- VITO NON è adatto al filtraggio di altri liquidi al di fuori dell'olio di frittura!
- NON usare o conservare VITO in luoghi all'aperto! Pioggia, umidità e basse temperature danneggiano il dispositivo!
- VITO **NON** è progettato per un uso continuativo senza pause! Rischio di surriscaldamento/pericolo d'incendio!
- **È ASSOLUTAMENTE VIETATO** l'utilizzo di VITO da parte di minori!
- **NON** coprire/ostruire le feritoie di raffreddamento! (12)!
- **NON** toccare il cavo di alimentazione (10) ed il connettore elettrico (8) con le mani bagnate!
- **NON** piegare o schiacciare il cavo di alimentazione (10)!
- Assicurarsi che il cavo di alimentazione (10) **NON** venga a contatto con l'olio/grasso bollente!
- VITO deve essere utilizzato solo con impianti elettrici di Classe 1 (con messa a terra e differenziale).
- Pulire VITO prima del primo utilizzo (vedasi capitolo 10 Pulizia).
- Accertarsi che la tensione di alimentazione corrisponda a quella indicata sulla etichetta identificativa (16) di VITO!
- Temperatura max di utilizzo 200° (temperatura di frittura consigliata 175° C).
- **NON** fare funzionare a secco (senza olio) l'unità pompa/filtro (11)!
- Fare attenzione agli elementi termici, ai cestelli, ai termostati e sonde della friggitrice!
- Sollevare o trasportare VITO usando solo le apposite maniglie nere (9)!
- **NON** utilizzare VITO in posizione inclinata!
- **NON** spostare VITO durante il filtraggio!

4.3 Utilizzo corretto

- VITO è adatto all'utilizzo nelle cucine professionali e industriali.
- Prestare attenzione alle indicazioni di sicurezza! Il filtraggio è consentito solo con olio allo stato liquido.
- VITO deve essere utilizzato solo da personale appositamente istruito!
- VITO è progettato per un uso NON continuativo, quindi con pause tra un ciclo e l'altro!

Si esclude qualsiasi tipo responsabilità per un utilizzo non corretto del dispositivo!

5. Funzioni di sicurezza

5.1 Anti-ribaltamento e anti-vibrazione

VITO si spegne automaticamente in caso di inclinazione maggiore di 17°, in caso di ribaltamento oppure in caso di forti vibrazioni causati da guasti o errato posizionamento in friggitrice. Il LED alimentazione (1) e il LED filtraggio (2) lampeggiano entrambi emettendo beep sonori.

5.2 Segnale acustico

Dopo il collegamento alla presa l'apparecchio emette un breve segnale acustico. VITO è pronto all'uso. Alla fine di ogni filtraggio VITO emette un segnale acustico di 5 secondi. Il segnale acustico può essere disattivato (vedasi capitolo 6 Operazioni preliminari).

5.3 Termoprotezione/surriscaldamento

In caso di surriscaldamento (temp. Unità elettrica > 75° C) VITO interrompe il ciclo di filtraggio.

Il LED alimentazione (1) lampeggia e VITO emette un segnale acustico.

Estrarre quindi VITO dalla friggitrice e lasciarlo raffreddare come previsto (vedasi capitolo 8 Mantenimento/raffreddamento).

6. Operazioni preliminari

6.1 Durata ciclo filtraggio

Il ciclo di filtraggio pre-impostato è di **4,5 minuti**. Cicli consecutivi: max **16 filtri**.

6.2 Raffreddamento attivo

VITO è dotato di raffreddamento attivo. Il raffreddamento attivo dipende dalla temperatura e si attiva automaticamente. Dopo l'avvio, viene eseguito un controllo del funzionamento.

6.3 Controllo delle impostazioni di fabbrica

1. Premere e tenere premuto il pulsante Start / Stop (5).
2. Mantenere premuto il pulsante Start / Stop (5) e poi collegare il cavo di alimentazione (10) alla presa di corrente.
3. Continuare a mantenere premuto per 5 secondi il pulsante Start / Stop (5). VITO emette un segnale acustico e il LED filtraggio (2) lampeggia brevemente.
4. Rilasciare il tasto Start / Stop
5. La durata del ciclo programmata viene evidenziata dal lampeggio dei LED.
6. Il LED alimentazione (1) indica per ogni lampeggio 1 minuto di durata.
7. Il LED filtraggio (2) indica per ogni lampeggio 30 secondi di durata.
8. per es.: 4x lampeggio rosso = 4 min
1x lampeggio verde = 30 sec. → Durata ciclo 4min 30sec

6.4 Programmazione manuale

VITO può essere programmato direttamente tramite il pulsante Start / Stop (5).

6.4.1 Regolare durata del ciclo di filtraggio

Per impostare la durata del ciclo desiderata seguire i passaggi indicati nel capitolo 6.3 Controllo delle impostazioni di fabbrica, quindi:

1. Subito dopo che i lampeggi hanno evidenziato la durata impostata, premere il pulsante Start / Stop (5).
2. Ad ogni pressione del pulsante Start / Stop (5) si allunga la durata del ciclo di 30 secondi (il timer parte da 0 sec.) (es: premere 3 volte il pulsante corrisponde ad un ciclo di 1 min 30 sec. - ecc.).
3. Una volta impostata la durata desiderata, attendere che il LED filtraggio (2) si accenda brevemente e venga emesso un segnale acustico.
4. Scollegare il cavo di alimentazione (10).

6.4.2 Attivare/disattivare il segnale acustico

Per regolare il volume del segnale, seguire le istruzioni nel capitolo 6.3 Controllo delle impostazioni di fabbrica, quindi:

1. Attendere finché il LED filtraggio (2) si accende brevemente e viene emesso un breve segnale acustico.
2. Premere il pulsante Start / Stop (5) per impostare il segnale.
I LED evidenziano lo stato:
LED alimentazione (1) = audio disattivato
LED alimentazione (1) & LED filtraggio (2) = audio attivato.
3. Una volta impostata la propria scelta, attendere che il LED filtraggio (2) si accenda brevemente e venga emesso un segnale acustico.
4. Scollegare il cavo di alimentazione (10).

6.5 Programmazione online

VITO offre la possibilità di impostare online la durata del filtraggio, il segnale acustico e la connessione di rete tramite smartphone, tablet o PC.

1. Collegare VITO alla presa di corrente. Si accende il LED alimentazione (1).
2. Sul vostro dispositivo (tablet, smartphone o PC) aprire il menù delle reti WiFi disponibili.
3. Cercare la rete WiFi „VITOConfig + Seriennummer“. Il numero di serie (SN) è riportato sull’etichetta identificativa (16).
4. Collegarsi quindi a questa rete.
5. Inserire la Password: **12345789**. Il LED WiFi (3) lampeggia (solo VL).
6. Aprire il web browser sul proprio dispositivo.
7. Digitare **10.10.10.10** nel campo indirizzo.
8. Cliccare sulla goccia di VITO.
9. Effettuare il login:
 Utente: **user**
 Password: **Vito2k18**
10. Scegliere la lingua preferita cliccando su EN, DE, etc.

6.5.1 Regolare durata del ciclo di filtraggio

Per modificare la durata del filtraggio seguire le istruzioni del capitolo 6.5 Programmazione online, quindi:

1. Impostare la durata desiderata del filtraggio.
2. Cliccare su „Salva“. Il LED filtraggio (2) si accende brevemente e viene emesso un breve segnale acustico.

6.5.2 Attivare/disattivare il segnale acustico

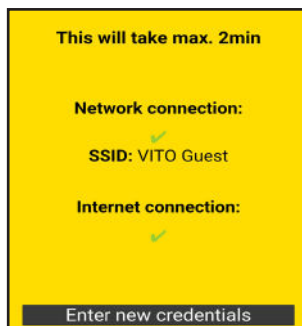
Per regolare il volume del segnale seguire le istruzioni del capitolo 6.5 Programmazione online, quindi:

1. Nel menu “Buzzer” scegliere se il segnale acustico deve essere attivato o disattivato. Il LED filtraggio (2) si accende brevemente e viene emesso un segnale acustico.

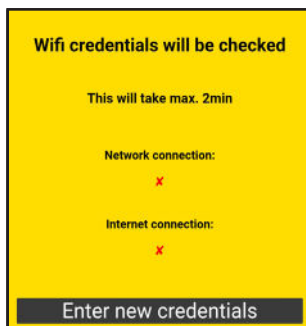
6.6 Collegamento ad Internet

Per poter sfruttare al meglio le funzioni di VITOconnect, il dispositivo VITO deve essere collegato alla rete Internet. E’ necessaria una connessione WiFi a 2,4 GHz sufficientemente potente. Per collegare VITO alla propria rete internet, seguire le istruzioni del capitolo 6.5 Programmazione online, quindi:

1. Cliccare su “Configurazione WiFi”.
2. Scegliere la propria rete WiFi.
3. Inserire la password di rete (se non si dispone di una password di rete, lasciare vuoto questo campo).
4. Verificare la password di rete cliccando su “Mostra password”.
5. Fare clic su “Salva”. VITO ora controllerà la connessione di rete/internet.



Collegamento riuscito.



Non connesso. Controllare la rete e la password.

VITO memorizza ed invia solamente i dati di utilizzo. Nessun dato sensibile e personale viene memorizzato o inviato. All’indirizzo <https://connect.vito.ag/> è possibile ottenere una panoramica online dei dati di utilizzo, dei servizi e degli aggiornamenti.

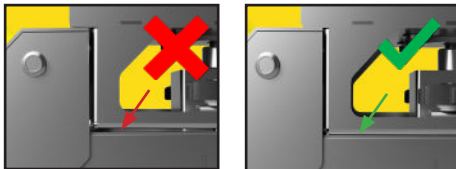
6.7 Codice QR

Scansionando il codice QR sulla unità elettrica (8) si accede velocemente al sito web dedicato con informazioni/video e numerosi consigli sull’utilizzo di VITO.

7. Procedura di filtraggio

7.1 Operazioni preliminari filtraggio

1. Togliere VITO dalla vasca di sgocciolamento (6).
2. Inserire il filtro in cellulosa nell'unità pompa/filtro (11) (vedasi capitolo 9 Sostituzione filtro in cellulosa).
3. Chiudere il coperchio dell'unità filtro. Incastrare e bloccare il coperchio nell'apposita guida inferiore dell'unità pompa/filtro (11).
4. Posizionare l'unità elettrica (8) sopra l'unità pompa/filtro (11).
5. Assicurarsi che non vi sia spazio tra l'unità elettrica (8) e l'unità pompa-filtro (11). Nel caso ci fosse spazio tra le 2 unità il coperchio dell'unità filtro non è stato chiuso e bloccato correttamente.
6. Serrare bene i pomelli a stella (7).



Non ci deve essere spazio tra l'unità elettrica (8) e l'unità pompa-filtro (11)

7.2 Iniziare il filtraggio

1. Inserire VITO nella friggitrice.
2. Assicurarsi che VITO abbia una posizione stabile nella friggitrice.
3. Verificare il livello dell'olio (il livello deve essere compreso tra i limiti MIN e MAX indicati sulla parte frontale dell'unità pompa/filtro).
4. Collegare il cavo di alimentazione (10) alla presa elettrica.
Il LED alimentazione (1) si accende.
5. Premere il pulsante Start / Stop (5).
Il LED filtraggio (2) è acceso durante il filtraggio.

7.3 Interrompere anticipatamente il ciclo di filtraggio

1. Premere il pulsante Start/Stop. Il LED filtraggio (2) si spegne.
2. Sollevare VITO e lasciare defluire l'olio sgocciolante nella friggitrice.
3. Dopo l'uso riporre VITO come indicato al capitolo 8 Manutenimento/raffreddamento.

8. Manutenimento/raffreddamento

- Dopo l'utilizzo riporre VITO nell'apposita vaschetta (6) sia per lo stoccaggio che per il trasporto.
- Temperatura ideale di stoccaggio **+10°C a +30°C**.

Fase di raffreddamento:

- Fino a 2,5 ore se il cavo di alimentazione (10) NON è collegato alla presa.
- Circa 15 minuti se il cavo di alimentazione (10) è collegato alla presa.

9. Sostituzione del filtro in cellulosa

Sostituire il filtro in cellulosa quando necessario. La frequenza di sostituzione dipende dal numero di cicli eseguiti e dalla quantità di residui all'interno della friggitrice. Con 1 filtro in cellulosa si possono effettuare un max di 10 cicli di filtraggio.

ERRATO: il filtro NON è inserito correttamente / non lasciare spazi vuoti tra il filtro in cellulosa e le estremità dell'unità pompa-filtro.



CORRETTO: i lembi esterni del filtro devono sormontare i 2 bordi esterni dell'unità pompa/filtro.

10. Pulizia

10.1 Avvertenze

- Pulire l'unità pompa/filtro (11) ad ogni sostituzione del filtro in cellulosa.
- Pulire VITO solo quando si è raffreddato.
- NON usare detergenti aggressivi/acidi.
- NON utilizzare spazzole in metallo o strumenti simili.

10.2 Prima della pulizia

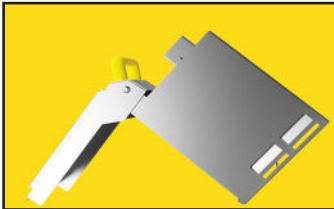
1. Assicurarsi che VITO si sia raffreddato.
2. Svitare i pomelli a stella (7) su entrambi i lati.
3. Sganciare e togliere l'unità elettrica (8) dall'unità pompa/filtro (11).
4. Aprire il coperchio dell'unità pompa/filtro (11).
5. Togliere ed eliminare il filtro in cellulosa (vedasi capitolo 12.2 Smaltimento del filtro in cellulosa).
6. Pulire il macchinario a mano oppure in lavastoviglie (NON l'unità elettrica!).

10.3 Pulizia manuale

1. Pulire l'unità elettrica (8) solo con un panno umido!
NON utilizzare acqua corrente! Pericolo di guasti elettrici!
2. Immergere in acqua e sciacquare abbondantemente l'unità filtro pompa/filtro (11) e la vaschetta (6).
3. Asciugare VITO.

10.4 Pulizia in lavastoviglie

1. Pulire l'unità elettrica (8) solo con un panno umido!
NON inserire MAI l'unità elettrica (8) in lavastoviglie! Pericolo di guasti elettrici!
2. Inserire la pompa/filtro (11) e la vaschetta (6) in lavastoviglie. **Suggerimento:** non aprire completamente il coperchio dell'unità pompa/filtro. In questo modo l'acqua circola meglio.
3. Iniziare il programma di lavaggio.



Non aprire completamente il coperchio del.



Mettere in lavastoviglie solo l'unità pompa/filtro (11) e la vaschetta (6).

10.5 Pulizia intensiva

Se l'unità pompa/filtro (11) è molto sporca pulirla con sapone o detergente per friggitorici. Si consiglia una pulizia accurata regolare.

11. Problemi e soluzioni

Malfunzionamento	Possibili cause	Soluzioni
Il LED ROSSO alimentazione (1) non si accende	<ul style="list-style-type: none"> • Cavo alimentazione (10) non collegato • Cavo alimentazione (10) danneggiato • Dispositivo guasto 	<ul style="list-style-type: none"> • Collegare VITO alla presa di corrente • Contattare l'assistenza • Contattare l'assistenza
VITO emette forti rumori durante il funzionamento	<ul style="list-style-type: none"> • Pomelli a stella (7) allentati • Rotore guasto • Il rotore gratta su elementi della friggitrice 	<ul style="list-style-type: none"> • Serrare bene i pomelli a stella (7) • Contattare l'assistenza • Correggere la posizione di VITO nella friggitrice
Il LED ROSSO alimentazione (1) lampeggia e viene messo un segnale acustico	<ul style="list-style-type: none"> • Termoprotezione attiva/surriscaldamento 	<ul style="list-style-type: none"> • Lasciare raffreddare VITO • Riporre VITO in un luogo fresco
Il LED ROSSO alimentazione (1) e LED VERDE Filtraggio (2) lampeggiano e viene messo un segnale acustico	<ul style="list-style-type: none"> • VITO è troppo inclinato -> inclinaz. max 17° • Forti vibrazioni • Coperchio unità pompa/filtro non bloccato correttamente 	<ul style="list-style-type: none"> • Verificare la corretta posizione di VITO nella friggitrice • Contattare l'assistenza • Parti rotanti danneggiate • Coperchio del filtro non bloccato nella feritoia inferiore
VITO non parte	<ul style="list-style-type: none"> • Unità elettrica (8) guasta 	<ul style="list-style-type: none"> • Contattare l'assistenza
Il salvavita scatta	<ul style="list-style-type: none"> • Cavo alimentazione (10) o altri componenti elettrici guasti • Rotore difettoso/bloccato • Impianto elettrico sovraccarico 	<ul style="list-style-type: none"> • Contattare l'assistenza • Contattare l'assistenza • Provare un'altra presa elettrica/impianto elettrico
Filtraggio insufficiente/scarso	<ul style="list-style-type: none"> • Filtro intasato • Pompa/filtro ostruita • Filtro in cellulosa non inserito correttamente • Motore guasto 	<ul style="list-style-type: none"> • Sostituire il filtro in cellulosa • Svuotare l'unità pompa/filtro (11) • Pulire a fondo la scatola filtro • Inserire il filtro come da istruzioni • Contattare l'assistenza
Spruzzi d'olio dai lati e/o dal retro della pompa/filtro (11)	<ul style="list-style-type: none"> • Filtro intasato • Troppo gioco tra il coperchio del filtro e l'unità pompa/filtro (11) • Filtro inserito in modo errato (i lembi del filtro non sporgono dai bordi esterni della scatola filtro) 	<ul style="list-style-type: none"> • Sostituire il filtro in cellulosa • Coperchio del filtro non bloccato nella feritoia inferiore • Contattare l'assistenza • Inserire il filtro come da istruzioni
I LED alimentazione e filtraggio (1 & 2) lampeggiano per 10 sec. e viene emesso un segnale acustico dopo il collegamento alla presa elettrica.	<ul style="list-style-type: none"> • Pulsante Start/Stop guasto • Condensa all'interno dell'unità elettrica (8) 	<ul style="list-style-type: none"> • Contattare l'assistenza • Lasciare asciugare l'unità elettrica
Impossibile stabilire la connessione a Internet	<ul style="list-style-type: none"> • Rete WiFi selezionata non corretta • Password inserita non corretta • Segnale WiFi scarso 	<ul style="list-style-type: none"> • Selezionare la rete WiFi corretta • Inserire la password corretta • Aumentare il segnale WiFi • Avvicinare il router a VITO
La pagina „10.10.10.10“ non viene caricata	<ul style="list-style-type: none"> • Cache del browser web da cancellare • Assenza di collegamento con VITO 	<ul style="list-style-type: none"> • Cancellare la cache del browser web • Cancellare la cronologia del browser web • Collegare VITO allo smartphone, pc o tablet (vedi capitolo 6.5)
Troppo spazio tra l'unità elettrica (8) e l'unità pompa/filtro (11)	<ul style="list-style-type: none"> • Coperchio del filtro non chiuso correttamente • Coperchio del filtro oppure unità pompa/filtro danneggiati 	<ul style="list-style-type: none"> • Chiudere in modo corretto il coperchio del filtro e bloccarlo nell'apposita feritoia dell'unità pompa/filtro • Contattare l'assistenza

Dovessero verificarsi altri malfunzionamenti vi preghiamo di rivolgervi al servizio clienti/assistenza di VITO Italia srl, oppure al vostro rivenditore di zona! Troverete i recapiti nel capitolo 2. Note Legali.

12. Smaltimento

12.1 Smaltimento dell'imballo

- L'imballaggio può essere smaltito e riciclato
o
- l'imballaggio può essere conservato per uso futuro.

12.2 Smaltimento filtri in cellulosa

- I filtri in cellulosa, una volta sostituiti, devono essere smaltiti secondo la locale normativa vigente.

12.3 Smaltimento dei vecchi dispositivi

Tutti i clienti VITO possono contattare direttamente l'azienda per restituire i vecchi dispositivi da smaltire.

L'azienda provvederà quindi allo smaltimento o riciclaggio delle varie parti come da disposizioni vigenti presso gli appositi punti di smaltimento.

Le apparecchiature una volta giunte a fine ciclo di vita saranno smaltite in base al sistema che prevede la raccolta separata e uno specifico trattamento ecologico di reimpiego, riciclaggio o altre forme di recupero per prodotti finiti, componenti e materiali.

Inviare VITO a:

VITO AG

Eltastrasse 6

78532 Tuttlngen (Germania)

Per ulteriori chiarimenti potete contattare il vostro rivenditore locale oppure l'assistenza clienti della VITO.

12.4 Direttiva RAEE (Rifiuti di Apparecchiature Elettriche ed Elettroniche)

È vietato smaltire le apparecchiature elettriche/elettroniche come rifiuti domestici/privati. In base alla Direttiva dell'Unione Europea sui rifiuti di apparecchiature elettriche ed elettroniche, Direttiva 2002/96/EC, ed alla sua applicazione nei singoli Paesi tali apparecchiature non più utilizzabili devono essere raccolte separatamente e riciclate nel rispetto dell'ambiente.

I produttori di questi dispositivi sono obbligati a ritirare i prodotti non più utilizzabili.

VITO AG aderisce al regolamento per il ritiro dei prodotti a proprio marchio non più utilizzabili e che sono stati venduti nell'UE.

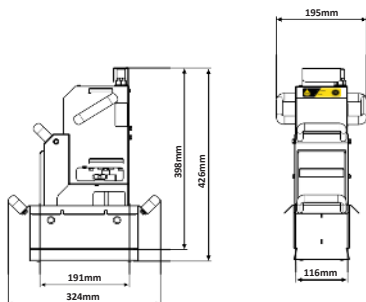
Tali prodotti potranno essere smaltiti nei vari centri di raccolta locali.

13. Dati tecnici

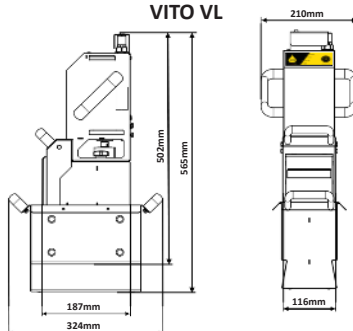
	VITO VM	VITO VL
Tensione nominale a seconda dei Paesi (vedi etichetta identificativa)	220 - 240 V ~ ±10% 100 - 120 V ~ ±10%	50 - 60 Hz 50 - 60 Hz
Absorbimento nominale di corrente	ca. 1,2 A a 230 V ca. 2,4 A a 115 V	ca. 2.0 A a 230 V ca. 4.0 A a 115 V
Potenza max.	300 W	500 W
Rumorosità	<85db	
Controllo utente tramite	Pulsante Start / Stop (5)	
Temperature di esercizio	Unità elettrica (8) max. 75°C - Unità pompa/filtro (11) max. 200°C (Temperatura di frittura consigliata max. 175°C)	
Temperatura di stoccaggio	+10°C a +30°C	
Peso	8,9 kg (con vaschetta) 7,7 kg (senza vaschetta)	10.5 kg (con vaschetta) 8.8 kg (senza vaschetta)
Allarme sonoro	si	
Connessione di rete	WiFi 2.4GHz	
Capacità scatola filtro	ca. 1.3 kg* (1.7 l)	ca. 2.5 kg* (3 l)
Materiale filtri	Cellulosa FDA-CFR 21	
Modalità funzionamento	Funzionamento temporizzato	

*Pangrattato di uso comune

VITO VM



VITO VL



14. Dichiarazione di conformità

Rilasciata da VITO AG | Eltstrasse 6 78532 Tuttlingen (Germania) | Tel. : +49 (0) 7461 / 96289-0

Fax : +49 (0) 7461 / 96289-12 | Email: info@vito.ag

Valido per i seguenti prodotti: VITO VM & VL: EU Patent No. 1326692 / U.S. Patent No. US7.052.605.B2

I sistemi di filtraggio professionali per olio/grasso sono progettati, costruiti e collaudati secondo le seguenti norme:

Al fini della Direttive UE:

- 2006/42/EG Direttiva Macchinari
- 2014/30/EU Direttiva Compatibilità elettromagnetica
- 2014/35/EU Direttiva bassa tensione
- 2011/65/EU RoHS - Normativa comunitaria (Restriction of Hazardous Substances Directive) Diretiva
- 2003/10/EC Prescrizioni minime di sicurezza e di salute relative all'esposizione dei lavoratori ai rischi derivanti dagli agenti fisici
- 2012/19/EU Direttiva sui rifiuti di apparecchiature elettriche ed elettroniche
- 2014/53/EU Direttiva sulle apparecchiature radio

- EN 61000-6-1: 2019 Immunità
- EN 61000-6-2: 2019 Immunità
- EN 61000-6-3: 2022 Emissioni
- EN 61000-6-4: 2020 Emissioni

- DIN 18876:2018-06: Attrezzatura da cucina commerciale - Attrezzatura portatile non integrata per la filtrazione di olio/grasso - Requisiti e prove

Secondo standard Tedeschi, Europei ed Internazionali (non europei)

Standard Germania DIN EN		Standard Europei EN		Standard Internazionale IEC (IEC/CISPR)
DIN EN 61000-6-1:2019-11	basato su	EN 61000-6-1:2019	basato su	IEC 61000-6-1:2016
DIN EN 61000-6-2:2019-11	basato su	EN 61000-6-2:2019	basato su	IEC 61000-6-2:2016
DIN EN 61000-6-3:2022-06	basato su	EN 61000-6-3:2022	basato su	IEC 61000-6-3:2006 + A1:2010
DIN EN 61000-6-4:2020-09	basato su	EN 61000-6-4:2019	basato su	IEC 61000-6-4:2018
DIN EN 61000-3-2:2019-12	basato su	EN 61000-3-2:2019	basato su	IEC 61000-3-2:2018
DIN EN 61000-3-3:2020-07	basato su	EN 61000-3-3:2013 + A1:2019	basato su	IEC 61000-3-3:2013-05
DIN EN 60335-1:2020-08	basato su	EN 60335-1:2014-11	basato su	IEC 60335-1:2010. modified
DIN EN 12100:2011-03	basato su	EN 12100:2011-03	basato su	ISO 12100:2011-03
DIN EN 60204-1:2019-06	basato su	EN 60204-1:2019-06	basato su	IEC 60204-1:2016, modified
DIN EN 55014-1:2018-08	basato su	EN 55014-1:2018-08	basato su	CISPR 14-1:2016 + COR1:2016
DIN EN 55014-2:2022-10	basato su	EN 55014-2:2016-01	basato su	CISPR 14-2:2015
-	-	VO (EG) Nr. 2023/2006	-	IEC 60884-2-1
EGV 1935/2004	-	VO (EG) Nr. 1935/2004	-	-
		VO (EU) Nr. 10/2011		
DIN EN 10088-1:2014-12	-	-	-	-
DIN 18876 A1:2018-06	-	-	-	-
DIN 18876 A2:2018-06	-	-	-	-
DIN 18876 A3:2018-06	-	-	-	-
DIN EN 50396:2006-07	-	-	-	-
DIN EN 61003-2:2017-06	-	-	-	-
DIN EN 10095:2018-12	-	-	-	-
DIN EN 10269:2014-02	-	-	-	-
DIN EN 10302:2008-06	-	-	-	-
DIN EN 82079-1:2021-09	-	-	-	-
ProdSG	basato su	2001/95/EG	-	-
LFGB	-	-	-	-
DGUV-Regel 110-001	-	-	-	-

Tuttlingen, 2022



Andreas Schmidt
CEO
VITO AG



Table des matières

1. Produit	2
1.1 Description produit	2
1.2 Étendue de la livraison	2
2. Informations Légales	2
3. Préface	3
4. Consignes de sécurité	3
4.1 Explication des symboles	3
4.2 Consignes de sécurité	3
4.3 Utilisation prévue	3
5. Fonctions de sécurité	4
5.1 Protection contre le basculement et les vibrations	4
5.2 Signal acoustique	4
5.3 Surchauffe	4
6. Préparation avant l'utilisation	4
6.1 Temps de filtration	4
6.2 Refroidissement actif	4
6.3 Vérification des paramètres d'usine	4
6.4 Programmation hors ligne	4
6.4.1 Réglage du temps de filtration	4
6.4.2 Activer / désactiver le signal acoustique	4
6.5 Programmation en ligne	5
6.5.1 Réglage du temps de filtration	5
6.5.2 Activer / désactiver le signal acoustique	5
6.6 Connexion Internet	5
6.7 Code QR	5
7. Processus de Filtration	6
7.1 Préparation pour la filtration	6
7.2 Démarrage du processus de filtration	6
7.3 Arrêt prématuré de la filtration	6
8. Stockage / temps de refroidissement	6
9. Changer le filtre à particule	6
10. Nettoyage	7
10.1 Remarques	7
10.2 Préparation pour le nettoyage	7
10.3 Nettoyage manuel	7
10.4 Nettoyage au lave-vaisselle	7
10.5 Boil out	7
11. Solutions problèmes de fonctionnement	8
12. Traitement des déchets	8
12.1 Traitement des emballages	8
12.2 Traitement du filtre	8
12.3 Traitement de l'appareil	9
12.4 Déclaration DEEE (Déchets d'équipement électriques et électroniques)	9
13. Données techniques	9
14. Déclaration de conformité	10

1. Produit



VITO VM

VITO VL

1.1 Description produit

1. Indicateur d'alimentation (LED rouge)
2. Indicateur de filtre (LED vert)
3. Indicateur Wi-Fi (LED rose) (seulement VL)
4. Indicateur BT (LED bleu) (seulement VL)
5. Bouton Start / Stop
6. Bac d'égouttement
7. Vis à poignée étoile (2 pcs.)
8. Unité électrique/moteur
9. Poignées
10. Cordon d'alimentation
11. Unité de pompe-filtre
12. Ouvertures ventilation
13. Protection du câble
14. Support de câble (seulement VL)
15. Tableau de commande
16. Étiquette de type

Tableau de commande VL (15)

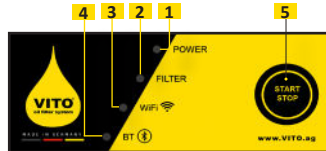
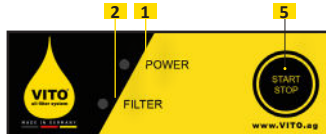


Tableau de commande VM (15)



1.2 Étendue de la livraison

- Système VITO Filtre à huile de friture
- Manuel d'utilisation
- Guide d'utilisation compact
- Filtre à particule (11 pcs.) (un filtre est déjà inséré)
- Bac d'égouttement

Étiquette de type (16)



2. Informations Légales

VITO AG

Elstraße 6
78532 Tuttlingen (Allemagne)
Phone: +49 (0) 7461 / 96289-0
Fax: +49 (0) 7461 / 96289-12
info@vito.ag
www.vito.ag

CEO:
Andreas Schmidt (MBA, Dipl.-Wirt.Ing)
Quartier général: Tuttlingen, Allemagne
Rég. rechercher: Stuttgart HRB-750227

En coopération avec:
Université Albstadt-Sigmaringen (Allemagne)
- Génie industriel avec études commerciales -
Jakobstraße 1
72458 Albstadt (Allemagne)
Copyright © VITO AG
Tous les droits sont réservés.

Ce document est soumis au copyright de VITO AG.
Sans l'autorisation écrite préalable de la société VITO AG, le document ou des parties de celui-ci ne peuvent être ni dupliqués, ni utilisés en contradiction avec leurs intérêts légitimes.
Les changements dans le sens du progrès technique sont réservés.

3. Préface

Chère cliente, cher client VITO,

merci d'avoir choisi ce produit de VITO AG. Lisez attentivement ce mode d'emploi pour vous familiariser avec la manipulation de votre système de micro filtration VITO, afin d'assurer une utilisation optimale et correcte.

Votre revendeur et le service client sont à votre disposition pour toutes vos questions et prêt à vous aider.

N'hésitez pas de nous faire part de vos commentaires et suggestions à propos des systèmes de filtration VITO et/ou ce mode d'emploi. (Veuillez vous référer aux informations de contact dans ce manuel.)

Nous espérons que vous profitez pendant long temps de votre VITO et augmentez l'efficacité de votre établissement.

Avec VITO vous êtes propriétaire d'un filtre de haute qualité de laquelle vous pouvez attendre une durée de vie très long et une aide efficace pour votre travail.

4. Consignes de sécurité

4.1 Explication des symboles

Une utilisation incorrecte du VITO peut entraîner des dangers et des blessures. Les points suivants doivent être respectés. Les dangers possibles sont signalés par ces symboles:



Avertissement
Risque de blessure en cas de non-respect



Risque de choc électrique
en raison d'une mauvaise manipulation ou ouverture du boîtier



Risque de glissade
Contamination au sol possible



Avertir
Consigne de sécurité importante



Danger de brûlures
en raison d'un mauvais fonctionnement du VITO



Instructions d'utilisation
Informations sur le fonctionnement du VITO

4.2 Consignes de sécurité

- VITO N'EST PAS approuvé pour la filtration de liquides autres que l'huile de friture.
- NE PAS utiliser ou stocker VITO à l'extérieur! Dommages dus à la pluie ou à l'humidité.
- VITO n'est PAS conçu pour un fonctionnement continu ! (Risque de surchauffe / incendie).
- Il est strictement interdit aux enfants d'utiliser VITO!
- NE PAS couvrir les fentes d'aération (12)!
- NE PAS toucher le cordon d'alimentation (10) et l'unité électrique/moteur (8) avec les mains mouillées!
- NE PAS pincer ou plier le cordon d'alimentation (10)!
- Évitez que le cordon d'alimentation (10) n'entre en contact avec de l'huile chaude ou d'autres objets chauds.
- Faire fonctionner VITO uniquement sur des connexions de classe de protection I (avec contact de terre de protection).
- Nettoyer VITO avant la première utilisation (voir chapitre 10 Nettoyage).
- La voltage locale doit correspondre à la voltage indiquée sur l'étiquette de type (16).
- La température de fonctionnement maximale est de 200°C / 392°F (température de friture recommandée 175°C / 347°F).
- NE PAS faire fonctionner l'unité pompe-filtre (11) à sec!
- Faites attention aux éléments chauffants, grilles ou capteurs thermiques de la friteuse!
- Transportez le VITO uniquement avec les poignées noires (9)!
- NE PAS utiliser le VITO en position inclinée!
- NE PAS déplacer le VITO pendant la filtration!

4.3 Utilisation prévue

- VITO est conçu pour une utilisation commerciale dans l'industrie de la restauration.
- Respectez les consignes de sécurité. La filtration n'est possible que lorsque l'huile est liquide.
- VITO ne doit être utilisé que par du personnel dûment formé.
- VITO est uniquement conçu pour un fonctionnement intermittent.

Aucune responsabilité ne sera acceptée en cas d'utilisation inappropriée ! 

5. Fonctions de sécurité

5.1 Protection contre le basculement et les vibrations

Si VITO est placé incliné à plus de 17°, s'incline ou vibre trop à cause d'un défaut ou d'un mauvais placement, VITO arrêtera immédiatement la filtration. L'indicateur d'alimentation (1) et l'indicateur de filtre (2) clignotent et un signal acoustique répété retentit.

5.2 Signal acoustique

Après le démarrage, un bref signal sonore retentit. VITO est alors prêt à fonctionner. A la fin de chaque cycle de filtration, un signal sonore retentit pendant 5 secondes. Le signal sonore peut être désactivé (voir chapitre 6 Préparation avant l'utilisation).

5.3 Surchauffe

En cas de surchauffe (boîtier de contrôle >75°C / 167°F), VITO arrête le processus de filtration.

Le voyant d'alimentation (1) clignote et le VITO émet un signal sonore.

Sortez le VITO de la friteuse et rangez-le (voir chapitre 8 Stockage / temps de refroidissement).

6. Préparation avant l'utilisation

6.1 Temps de filtration

Le réglage usine du temps de filtration est de **4 min. 30 sec.** Jusqu'à **16 cycles** de filtration sont possibles directement l'un après l'autre.

6.2 Refroidissement actif

VITO dispose d'un système de refroidissement actif. Le refroidissement actif dépend de la température et s'active automatiquement. Après le démarrage, un contrôle de fonctionnement est effectué.

6.3 Vérification des paramètres d'usine

1. Appuyez et maintenez enfoncé le bouton Start / Stop (5).
2. Branchez le cordon d'alimentation (10). Pendant ce temps, maintenez le bouton Start / Stop (5).
3. Maintenez enfoncé le bouton Start / Stop (5) pendant 5 secondes. VITO émet un signal sonore et l'indicateur de filtre (2) s'allume brièvement.
4. La durée du cycle de filtration programmé est indiquée par le clignotement des LEDs.
5. L'indicateur d'alimentation (1) indique 1 minute par flash.
6. L'indicateur de filtre (2) affiche 30 secondes par flash.
7. e.g.:
 - 4x rouge = 4 min.
 - 1x vert = 30 sec.
 - = temps de filtration: 4 min. 30 sec.

6.4 Programmation hors ligne

6.4.1 Réglage du temps de filtration

Pour régler le temps de filtration, suivez les étapes du chapitre 6.3 Vérification des paramètres d'usine, puis:

1. Appuyez sur le bouton Start / Stop (5) immédiatement après l'affichage du temps de filtration.
2. Appuyez sur le bouton Start/Stop (5) pour prolonger le temps de filtration de 30 secondes (commence à 0 sec.) (par exemple appuyer 5x pendant 2 min 30 sec. etc.)
3. Une fois la durée du cycle de filtration souhaitée réglée, attendez que le voyant du filtre (2) s'allume brièvement et qu'un signal acoustique retentisse.
4. Débranchez le cordon d'alimentation (10).

6.4.2 Activer / désactiver le signal acoustique

Pour régler le volume du signal, suivez les instructions du chapitre 6.3 Vérification des paramètres d'usine, puis:

1. Attendez que l'indicateur de filtre (2) s'allume brièvement et qu'un bref signal acoustique retentisse.
2. Appuyez sur le bouton Start / Stop (5) pour régler le signal acoustique.
3. Les LED indiquent l'état:
 - Indicateur d'alimentation (1) = Son désactivé.
 - Indicateur d'alimentation (1) + indicateur de filtre (2) = Son activé.
4. Une fois le réglage souhaité effectué, attendez que le voyant du filtre (2) s'allume brièvement et qu'un signal acoustique se fasse entendre.
5. Débranchez le cordon d'alimentation (10).

6.5 Programmation en ligne

VITO offre la possibilité de régler le temps de filtration, le signal sonore et la connexion réseau en ligne, à l'aide d'un smartphone, tablette ou ordinateur.

1. Branchez le cordon d'alimentation (10).
2. Ouvrez les paramètres WiFi de votre appareil (tablette, smartphone ou ordinateur).
3. Recherchez le réseau «VITO Config + numéro de série». Le numéro de série (SN) du VITO se trouve sur l'étiquette de type (16).
4. Se connecter au réseau.
5. Entrez le mot de passe: **12345789**. L'indicateur Wi-Fi (3) clignote (seulement VL).
6. Ouvrez le navigateur Web.
7. Saisissez l'adresse IP «10.10.10.10».
8. Appuyez sur VITO drop.
9. Connectez-vous avec:
Nom d'utilisateur: **user**
Mot de passe: **Vito2k18**
10. Si nécessaire, changez de langue en cliquant sur EN, DE, etc.

6.5.1 Réglage du temps de filtration

Pour régler le temps de filtration, suivez les instructions du chapitre 6.5 Programmation en ligne, puis:

1. Sélectionnez la durée de filtration souhaitée.
2. Cliquez sur «Sauver». L'indicateur de filtre (2) s'allume brièvement et un signal sonore retentit.

6.5.2 Activer / désactiver le signal acoustique

Pour régler le volume du signal, suivez ensuite les instructions du chapitre 6.5 Programmation en ligne, puis:

1. Sélectionnez dans le menu «Sonnette» si le signal acoustique doit être activé ou désactivé. L'indicateur de filtre (2) s'allume brièvement et un signal acoustique retentit.

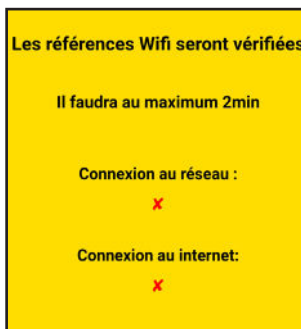
6.6 Connexion Internet

Pour utiliser pleinement VITOconnect, VITO nécessite une connexion Internet. Vous avez besoin d'un Wi-Fi 2,4 GHz suffisamment puissant. Pour connecter VITO à votre réseau, suivez les instructions du chapitre 6.4 Programmation en ligne, puis:

1. Cliquez sur «Configuration Wifi»
2. Sélectionnez votre réseau.
3. Saisissez le mot de passe du réseau. (Si vous n'avez pas de mot de passe réseau, laissez ce champ vide).
4. Vérifiez le mot de passe du réseau en cliquant sur «Afficher le mot de passe».
5. Cliquez sur «Sauver». VITO va maintenant vérifier le réseau et la connexion Internet.



Connexion réussie.



Pas connecté.

Vérifiez le réseau et le mot de passe.

VITO collecte et envoie uniquement les données d'utilisation de la machine. Aucune donnée personnelle n'est collectée ou transmise. Sur <https://connect.vito.ag/>, vous obtenez un aperçu en ligne des données d'utilisation, des services et des mises à jour de votre machine.

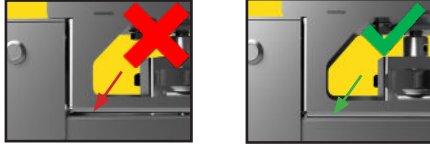
6.7 Code QR

Scannez le code QR sur l'unité de commande (8) pour accéder facilement à un site web contenant des informations utiles et de nombreux conseils sur votre VITO.

7. Processus de Filtration

7.1 Préparation pour la filtration

1. Soulevez le VITO du bac d'égouttement (6).
2. Insérer le papier filtre dans l'unité pompe-filtre (11) (voir chapitre 9 Changer le filtre à particule).
3. Fermez le couvercle du filtre. Enclenchez le couvercle du filtre dans la partie inférieure de l'unité pompe-filtre (11).
4. Placer l'unité électrique/moteur (8) sur l'unité pompe-filtre (11).
5. S'assurer qu'il n'y a pas d'espace entre l'unité de commande (8) et l'unité pompe-filtre (11). Cela indique que le couvercle du filtre n'a pas été fermé correctement et qu'il s'est cassé.
6. Serrez les poignées étoiles (7).



There must be no gap between the control unit (8) and the pump-filter unit (11).

7.2 Démarrage du processus de filtration

1. Placer le VITO dans la friteuse.
 2. Assurez-vous que VITO se tient fermement.
 3. Vérifier le niveau d'huile de friture (attention aux niveaux MIN et MAX (11)).
 4. Branchez le cordon d'alimentation (10).
- Le voyant d'alimentation (1) s'allume.
5. Appuyez sur le bouton Start / Stop (5).
L'indicateur de filtre (2) s'allume pendant la filtration.

7.3 Arrêt prématuré de la filtration

1. Appuyez sur le bouton Start / Stop (5).
L'indicateur de filtre (2) s'éteint.
2. Soulevez le VITO et laissez l'huile résiduelle s'écouler dans la friteuse.
3. Conserver le VITO dans la bac d'égouttement (6) (voir chapitre 8 Stockage / temps de refroidissement).

8. Stockage / temps de refroidissement

- Placer le VITO au bac d'égouttement (6) après usage ou pour le transport.
- Température de stockage admissible **+10°C jusqu'à +30°C / +50°F jusqu'à +86°F**.

Phases de refroidissement:

- Jusqu'à 2,5 h lorsque le cordon d'alimentation (10) est débranché.
- Environ 15 min. lorsque le cordon d'alimentation (10) est branché.

9. Changer le filtre à particule

Changez le papier filtre au besoin. Le changement dépend de l'utilisation du VITO et du degré de contamination de l'huile de friture. Jusqu'à max. 10 filtrations peuvent être réalisées avec un seul filtre à particules.

Ne pas laisser d'espace entre le filtre et les bords du unité pompe-filtre (11).



Superposer le dernier pli du filtre à particule de part et d'autre du unité pompe-filtre (11).

10. Nettoyage

10.1 Remarques

- Nettoyer l'unité pompe-filtre (11) à chaque changement de filtre à particule.
- Nettoyez VITO uniquement lorsqu'il est refroidi.
- NE PAS utiliser de nettoyeurs abrasifs.
- NE PAS utiliser de brosse métallique ou similaire.

10.2 Préparation pour le nettoyage

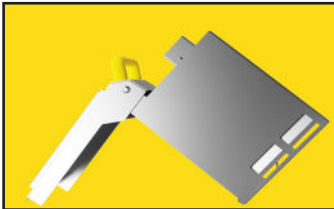
1. Assurez-vous que VITO a refroidi.
2. Desserrer les poignées étoiles (7) (des deux côtés).
3. Détacher l'unité électrique/moteur (8) du unité pompe-filtre (11).
4. Ouvrir l'unité pompe-filtre (11).
5. Retirez et jetez le papier filtre (voir chapitre 12.2 Traitement du filtre).
6. Nettoyage manuel ou nettoyage au lave-vaisselle.

10.3 Nettoyage manuel

1. Nettoyer l'unité électrique/moteur (8) avec un chiffon humide!
NE PAS utiliser d'eau courante ! Cela endommagerait l'unité électrique/moteur (8)!
2. Laver l'unité pompe-filtre (11) et le bac d'égouttement (6).
3. Séchez VITO.

10.4 Nettoyage au lave-vaisselle

1. Nettoyer l'unité électrique/moteur (8) avec un chiffon humide!
NE JAMAIS mettre l'unité électrique/moteur (8) au lave-vaisselle ! Cela endommagerait l'appareil.
2. Mettez l'unité pompe-filtre (11) et le bac d'égouttement (6) dans le lave-vaisselle. **Conseil:** n'ouvrez pas complètement le couvercle du filtre. Ceci permet à l'eau de mieux circuler.
3. Démarrer le programme de nettoyage.



N'ouvrez pas complètement le couvercle du filtre.



Ne mettez que l'unité pompe-filtre (11) et le bac d'égouttement (6) dans le lave-vaisselle.

10.5 Boil out

Si l'unité pompe-filtre (11) est très sale, nettoyez-le en profondeur avec de l'eau et du savon ou un nettoyeur pour friteuse. Des ébullitions régulières sont recommandées pour des résultats de nettoyage et d'entretien optimaux.

11. Solutions problèmes de fonctionnement

Mauvais fonctionnement	Cause possible	Des mesures correctives
Indicateur d'alimentation (LED rouge) (1) reste inactif	<ul style="list-style-type: none"> • Cordon d'alimentation (10) pas branché • Cordon d'alimentation (10) défectueux • Appareil défectueux 	<ul style="list-style-type: none"> • Branchez le VITO • Veuillez contacter le service • Veuillez contacter le service
VITO est très bruyant pendant le fonctionnement	<ul style="list-style-type: none"> • Les poignées étoiles (7) sont lâches • Rotor défectueux • Rayures du rotor sur la friteuse 	<ul style="list-style-type: none"> • Serrer les poignées en étoile (7) • Veuillez contacter le service • Changer la position du VITO dans la friteuse
Indicateur d'alimentation (LED rouge) (1) clignote et un signal acoustique retentit	<ul style="list-style-type: none"> • Surchauffe 	<ul style="list-style-type: none"> • Laissez le VITO refroidir • Placer VITO dans un endroit frais
L'indicateur d'alimentation (LED rouge) (1) et l'indicateur de filtre (LED verte) (2) clignotent et un signal acoustique retentit	<ul style="list-style-type: none"> • VITO est à un angle de plus de 17° • Fortes vibrations 	<ul style="list-style-type: none"> • Vérifier la position du VITO dans la friteuse • Veuillez contacter le service • Pièces rotatives endommagées • Couvercle du filtre mal fermé
VITO ne démarre pas	<ul style="list-style-type: none"> • Unité électrique/moteur (8) défectueuse 	<ul style="list-style-type: none"> • Veuillez contacter le service
Fusible de ligne / fusible FI éclaté	<ul style="list-style-type: none"> • Cordon d'alimentation (10) ou autres composants électriques défectueux • Rotor défectueux / bloqué • Circuit surchargé 	<ul style="list-style-type: none"> • Veuillez contacter le service • Veuillez contacter le service • Changer de prise / circuit
Faibles performances de filtration	<ul style="list-style-type: none"> • Filtre à particules est plein • Unité pompe-filtre (11) bouché • Moteur défectueux 	<ul style="list-style-type: none"> • Changer le filtre à particules • Unité pompe-filtre vide (11) • Faire bouillir pour enlever le lourd contamination • Insérez le filtre comme décrit • Veuillez contacter le service
Projection d'huile latéralement et/ou à l'arrière du unité pompe-filtre (11)	<ul style="list-style-type: none"> • Filtre à particules est plein • Trop d'espace entre les filtres couvercle et unité pompe-filtre (11) • Filtre à particules non inséré en chevauchement 	<ul style="list-style-type: none"> • Changer le filtre à particules • Veuillez contacter le service • Insérez le filtre comme décrit
Les indicateurs d'alimentation et de filtre (1 & 2) clignotent 10 sec. après avoir branché le VITO et un signal acoustique retentit	<ul style="list-style-type: none"> • Bouton Start / Stop (5) défectueux • Unité électrique/moteur (8) humide à l'intérieur 	<ul style="list-style-type: none"> • Veuillez contacter le service • S'il vous plaît laissez sécher
La connexion Internet ne peut pas être établie	<ul style="list-style-type: none"> • Mauvais réseau choisi • Mauvais mot de passe entré • Signal Wi-Fi trop faible 	<ul style="list-style-type: none"> • Sélectionnez le bon réseau • Entrez le mot de passe correct • Renforcer le signal Wi-Fi • Rapprocher le routeur du VITO
Le site Web «10.10.10.10» n'est pas affiché correctement	<ul style="list-style-type: none"> • Site Web obsolète en cache • L'appareil n'est pas connecté au VITO 	<ul style="list-style-type: none"> • Supprimer le cache • Supprimer les données du navigateur • Se connecter au VITO (voir chapitre 6.5)

Si vous constatez des défauts non répertoriés ici, veuillez contacter le service client VITO ou votre revendeur!
Les coordonnées se trouvent au chapitre 2. Informations légales.

12. Traitement des déchets

12.1 Traitement des emballages



- L'emballage doit être recyclé
ou
- conservez soigneusement l'emballage.

12.2 Traitement du filtre

- Le filtre à particules usagé doit être éliminé conformément à vos réglementations locales.

12.3 Traitement de l'appareil

Tous les clients de VITO AG peuvent nous contacter à tout moment pour renvoyer des déchets d'équipement si nécessaire. Cela se produit généralement lorsque les appareils et/ou les cartes électroniques sont défectueux ou lorsque les appareils sont remplacés par une nouvelle génération d'appareils. Nous démontons les appareils en conséquence et renvoyons les matières premières séparées dans le cycle environnemental. Tous les composants électroniques sont remis via nos points d'élimination spécifiés à ear® (stiftung elektro-altgeräte register®) et prouvés via la notification annuelle à ear®.

Envoyez votre VITO à :

VITO AG

Eltastrasse 6
78532 Tuttlingen (Allemagne)

Pour des questions supplémentaires, merci de contacter votre revendeur local ou le support client de VITO AG.

12.4 Déclaration DEEE (Déchets d'équipement électriques et électroniques)

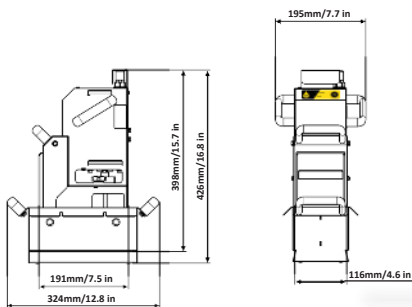
A fin de protéger l'environnement et comme écologiste, VITO AG vous rappelle que selon la directive de l'Union Européenne (UE) sur le traitement des „Déchets d'équipement électriques et électroniques“, Directive 2002/96/EC (transforme par ex. en droit français par décret 2005-829 le 20 juillet 2005), les produits „électriques et électroniques“ ne peuvent plus être mis dans le circuit des déchets ménagers et les constructeurs des produits concernés ont l'obligation de reprendre les produits à la fin de leurs vies opérationnelles, si l'état n'a pas prévu des circuits de collecte spécialisés. VITO AG va se mettre en conformité avec l'obligation de repris à la fin de vie des produits marqués VITO, vendus dans l'UE. Vous pouvez aussi retourner l'appareil aux points de collecte prévus par votre collectivité pour ces produits.

13. Données techniques

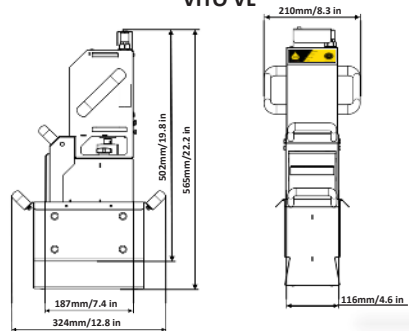
	VITO VM	VITO VL
Voltage nominal, spécifique au pays (voir étiquette de type)	220 - 240 V ~ ±10% 100 - 120 V ~ ±10%	50 - 60 Hz 50 - 60 Hz
Puissance nominale consommation	environ 1,2 A à 230 V environ 2,4 A à 115 V	environ 2.0 A à 230 V environ 4.0 A à 115 V
Puissance max.	300 W	500 W
Niveau bruit	<85db	
Contrôle utilisateur	Bouton Start / Stop (5)	
Températures pendant l'utilisation	Unité électrique/moteur (8) max. 75°C / 167°F - Unité de pompe-filtre (11) max. 200°C / 392°F (Température de friture rec. max. 175°C / 347°F)	
Températures de rangement	+10°C jusqu'à +30°C / 50°F jusqu'à +86°F	
Poids	8,9 kg / 19.6 lbs (avec bac) 7,7 kg / 17 lbs (sans bac)	10.5 kg / 23.2 lbs (avec bac) 8.8 kg / 19.4 lbs (sans bac)
Signal acoustique	Qui	
Connexion réseau	Wi-Fi 2.4GHz	
Volumes particules	environ 1.3 kg / 2.9 lbs* (1.7 l)	environ 2.5 kg / 5.5 lbs* (3 l)
Filtre	Cellulose FDA-CFR 21	
Mode fonctionnement	Fonctionnement intermittent	

*Chapelure ordinaire

VITO VM



VITO VL



14. Déclaration de conformité

Édité par VITO AG | Eltastrasse 6 78532 Tuttlingen (Allemagne) | Téléphone : +49 (0) 7461 / 96289-0
 Fax : +49 (0) 7461 / 96289-12 | E-mail: info@vito.ag

Pour les produits VITO VM & VL: EU Patent No. 1326692 / U.S. Patent No. US7.052.605.B2

Les appareils professionnels de filtration de graisse sont produits et contrôlés d'après les normes suivantes:

Aux fins des directives de l'UE:

- 2006/42/EG Directive Machines
- 2014/30/EU Compatibilité électromagnétique
- 2014/35/EU Directive Basse Tension
- 2011/65/EU RoHS - Directive (Restriction of certain Hazardous Substances)
- 2003/10/EC Exigences minimales pour protéger la sécurité et la santé des travailleurs
- 2012/19/EU Directive DEEE
- 2014/53/EU Directive sur les équipements radio

- EN 61000-6-1: 2019 Immunité
- EN 61000-6-2: 2019 Immunité
- EN 61000-6-3: 2022 Émission
- EN 61000-6-4: 2020 Émission

- DIN 18876:2018-06: Équipement de cuisine commerciale - Équipement portatif de filtration d'huile/graisse non intégré - Exigences et tests

aux normes allemandes, européennes et internationales (non européennes)

Norme allemande DIN EN		Norme européenne EN		Norme internationale IEC (IEC/CISPR)
DIN EN 61000-6-1:2019-11	basé sur	EN 61000-6-1:2019	basé sur	IEC 61000-6-1:2016
DIN EN 61000-6-2:2019-11	basé sur	EN 61000-6-2:2019	basé sur	IEC 61000-6-2:2016
DIN EN 61000-6-3:2022-06	basé sur	EN 61000-6-3:2022	basé sur	IEC 61000-6-3:2006 + A1:2010
DIN EN 61000-6-4:2020-09	basé sur	EN 61000-6-4:2019	basé sur	IEC 61000-6-4:2018
DIN EN 61000-3-2:2019-12	basé sur	EN 61000-3-2:2019	basé sur	IEC 61000-3-2:2018
DIN EN 61000-3-3:2020-07	basé sur	EN 61000-3-3:2013 + A1:2019	basé sur	IEC 61000-3-3:2013-05
DIN EN 60335-1:2020-08	basé sur	EN 60335-1:2014-11	basé sur	IEC 60335-1:2010, modified
DIN EN 12100:2011-03	basé sur	EN 12100:2011-03	basé sur	ISO 12100:2011-03
DIN EN 60204-1:2019-06	basé sur	EN 60204-1:2019-06	basé sur	IEC 60204-1:2016, modified
DIN EN 55014-1:2018-08	basé sur	EN 55014-1:2018-08	basé sur	CISPR 14-1:2016 + COR1:2016
DIN EN 55014-2:2022-10	basé sur	EN 55014-2:2016-01	basé sur	CISPR 14-2:2015
-	-	VO (EG) Nr. 2023/2006	-	IEC 60884-2-1
EGV 1935/2004	-	VO (EG) Nr. 1935/2004	-	-
-	-	VO (EU) Nr. 10/2011	-	-
DIN EN 10088-1:2014-12	-	-	-	-
DIN 18876 A1:2018-06	-	-	-	-
DIN 18876 A2:2018-06	-	-	-	-
DIN 18876 A3:2018-06	-	-	-	-
DIN EN 50396:2006-07	-	-	-	-
DIN EN 61003-2:2017-06	-	-	-	-
DIN EN 10095:2018-12	-	-	-	-
DIN EN 10269:2014-02	-	-	-	-
DIN EN 10302:2008-06	-	-	-	-
DIN EN 82079-1:2021-09	-	-	-	-
ProdSG	basé sur	2001/95/EG	-	-
LFGB	-	-	-	-
DGUV-rule 110-001	-	-	-	-

Tuttlingen, 2021



Andreas Schmidt
 CEO
 VITO AG



14. إقرار المطابقة

+49 (0) 7461 96289 0 :هاتف | Eltastrasse 6 | 78532 Tuttlingen (Germany) | VITO AG
 فاكس: +49 (0) 7461 96289 12 | بريد الإلكتروني: info@vito.ag

المنتج VITO VI & VM : U.S. Patent Nr. US7.052.605.B2 / EU Patent Nr. 1326692
 يتم تصنيع واختبار أنظمة تنقية زيت القلي العميق المحترقة وفقًا للمعايير التالية:
 من حيث توجيهات الاتحاد الأوروبي:

- EG/42/2006 دليل الآلة
- EU/30/2014 التوافق الكهرومغناطيسي
- EU/35/2014 توجيه الجهد المنخفض
- EU/65/2011 توجيه RoHS (تقييد استخدام بعض المواد الخطرة)
- EC/10/2003 الحد الأدنى من متطلبات حماية صحة وسلامة العمال
- EU/19/2012 التوجيه الخاص بنفايات المعدات الكهربائية والإلكترونية
- EU/53/2014 توجيهات معدات الراديو

- EN 61000 6 1 2019 حصة
- EN 61000 6 2 2019 حصة
- EN 61000 6 3 2022 انبعاث
- EN 61000 6 4 2020 انبعاث

- DIN 18876 2018 :معدات المطبخ التجارية - معدات ترشيح الزيت / الدهون المحمولة غير المتكاملة - المتطلبات والاختبار
 بالمعايير الألمانية والأوروبية والدولية (غير الأوروبية)

المعيار الدولي IEC / CISPR	المعيار الأوروبي EN	المعيار الألماني DIN EN
IEC 61000-6-1:2016	EN 61000-6-1:2019	DIN EN 61000-6-1:2019-11
IEC 61000-6-2:2016	EN 61000-6-2:2019	DIN EN 61000-6-2:2019-11
IEC 61000-6-3:2006 + A1:2010	EN 61000-6-3:2022	DIN EN 61000-6-3:2022-06
IEC 61000-6-4:2018	EN 61000-6-4:2019	DIN EN 61000-6-4:2020-09
IEC 61000-3-2:2018	EN 61000-3-2:2019	DIN EN 61000-3-2:2019-12
IEC 61000-3-3:2013-05	EN 61000-3-3:2013 + A1:2019	DIN EN 61000-3-3:2020-07
IEC 60335-1:2010, modified	EN 60335-1:2014-11	DIN EN 60335-1:2020-08
ISO 12100:2011-03	EN 12100:2011-03	DIN EN 12100:2011-03
IEC 60204-1:2016, modified	EN 60204-1:2019-06	DIN EN 60204-1:2019-06
CISPR 14-1:2016 + COR1:2016	EN 55014-1:2018-08	DIN EN 55014-1:2018-08
CISPR 14-2:2015	EN 55014-2:2016-01	DIN EN 55014-2:2022-10
IEC 60884-2-1	VO (EG) Nr. 2023/2006	-
-	VO (EG) Nr. 1935/2004	EGV 1935/2004
-	VO (EU) Nr. 10/2011	-
-	-	DIN EN 10088-1:2014-12
-	-	DIN 18876 A1:2018-06
-	-	DIN 18876 A2:2018-06
-	-	DIN 18876 A3:2018-06
-	-	DIN EN 50396:2006-07
-	-	DIN EN 61003-2:2017-06
-	-	DIN EN 10095:2018-12
-	-	DIN EN 10269:2014-02
-	-	DIN EN 10302:2008-06
-	-	DIN EN 82079-1:2013-06
-	EG/2001/95	ProdsG
-	-	LFGB
-	-	DGUV-Regel 110-001

Tuttlingen, 2022



Andreas Schmidt
CEO



12.3 التخلص من الأجهزة القديمة

يمكن لجميع عملاء VITO AG الاتصال بنا في أي وقت لإعادة معدات النفايات إذا لزم الأمر. يحدث هذا عادةً عندما تكون الأجهزة و / أو لوحات الدوائر الإلكترونية معيبة أو عندما يتم استبدال الأجهزة بجيل جديد من الأجهزة. نقوم بتفكيك الأجهزة وفقاً لذلك وإعادة المواد الخام المفصلة إلى الدورة البيئية. يتم تسليم جميع المكونات الإلكترونية عبر نقاط التخلص المحددة في ear® وإبائها عبر الإخطار السنوي إلى ear® (*stiftung elektro-altgeräte register).

للقيام بذلك ، أرسل VITO إلى:

VITO AG
Eltastrasse 6
Tuttlingen 78532 (ألمانيا)

لمزيد من الأسئلة ، يرجى الاتصال بالموزع المحلي أو خدمة عملاء VITO AG.

12.4 توجيه نفايات المعدات الكهربائية والإلكترونية

لا تربي الأدوات الكهربائية في النفايات المنزلية!

وفقاً للتوجيه الأوروبي EC/96/2002 بشأن نفايات المعدات الكهربائية والإلكترونية وتنفيذه في القانون الوطني ، يجب جمع الأدوات الكهربائية التي لم تعد قابلة للاستخدام بشكل منفصل وإعادة تدويرها بطريقة صديقة للبيئة.

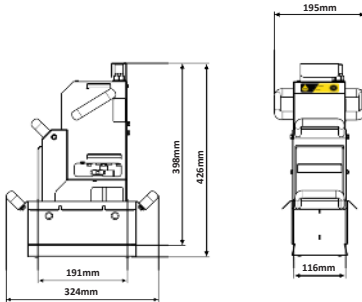
يلتزم مصنعو هذه الأجهزة باستعادة المنتجات التي لم تعد صالحة للاستخدام. تلتزم VITO AG باللوائح لاستعادة المنتجات التي لم تعد صالحة للاستخدام التي تحمل علامة VITO التجارية والتي تم بيعها في الاتحاد الأوروبي. يمكنك تسليم هذه المنتجات في نقاط التجميع المحلية.

13. البيانات الفنية

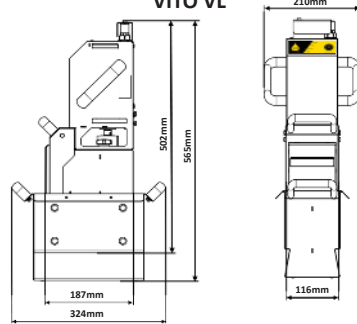
VITO VL	VITO VM	
		الجهد الاسمي الخاص بالبلد (انظر اللوحة)
60-50 هرتز	240-220 فولت $\pm 10\%$	
60-50 هرتز	120-100 فولت $\pm 10\%$	
حوالي 2.0 أمبير عند 230 فولت. حوالي 4.0 أمبير عند 115 فولت	حوالي 1.2 أمبير عند 230 فولت. حوالي 2.4 أمبير عند 115 فولت	العملية الاسمية للاستهلاك الحالي
500 واط	300 واط	الطاقة القصوى
85 ديسيبل		تطوير الضوضاء
زر يد / إيقاف (5)		تحكم المستخدم
وحدة تحكم (8) بحد أقصى 75 درجة مئوية وحدة فلتر المضخة (11) بحد أقصى 200 درجة مئوية (درجة حرارة القلي القصوى الموصى بها 175 درجة مئوية)		درجات حرارة التشغيل
10 درجة مئوية - 30 درجة مئوية		درجات حرارة التخزين
10.5 كجم (بصينية تجميع)	8.9 كجم (بصينية تجميع)	وزن
8.8 كجم (بدون صينية التجميع)	7.7 كجم (بدون صينية التجميع)	
نعم		إشارة صوتية
خدمة الإنترنت اللاسلكية 2.4 جيجاهيرتز		إتصال شبكة
2.5 كيلو جرام * 3 لتر	1.3 كيلو جرام * 1.7 لتر	امتصاص الجسيمات
اللب FDA-CFR 21		فلتر الجسيمات
عملية متقطعة		وضع التشغيل

* فئات الخبز القياسية

VITO VM



VITO VL



11. استكشاف الأخطاء وإصلاحها

عطل	سبب محتمل	الحل
يظل مؤشر الطاقة (أحمر 1) (LED) غير نشط	<ul style="list-style-type: none"> كابيل التيار الكهربائي (10) غير موصل كابيل التيار الكهربائي (10) به عيب الجهاز به عيب 	<ul style="list-style-type: none"> قم بتوصيل VITO يرجى الاتصال بخدمة العملاء يرجى الاتصال بخدمة العملاء
VITO صاخبة جدًا أثناء التشغيل	<ul style="list-style-type: none"> مقايض نجمة (7) مفكوكة الدوارية عيب فريش دوار ضد أجزاء المقلاة 	<ul style="list-style-type: none"> رطب مقايض نجمة (7) يرجى الاتصال بخدمة العملاء تغيير وضع VITO في المقلاة العميقة
يومض مؤشر الطاقة (أحمر 1) (LED) ويصدر صوت إشارة.	<ul style="list-style-type: none"> درجة الحرارة الزائدة 	<ul style="list-style-type: none"> دع VITO يبرد ضع VITO في مكان درجة حرارة منخفضة
مؤشر الطاقة (أحمر 1) (LED) مؤشر الفلتر (LED) خضراء (2) وميض وإشارة صوتية.	<ul style="list-style-type: none"> VITO بزاوية تزيد عن 17 درجة اهتزازات قوية 	<ul style="list-style-type: none"> تحقق من موضع VITO في المقلاة يرجى الاتصال بخدمة العملاء الأجزاء الدوارة التالفة غطاء المرشح غير مغلق في مكانه
VITO لا يبدأ	<ul style="list-style-type: none"> وحدة التحكم (8) به عطل 	<ul style="list-style-type: none"> يرجى الاتصال بخدمة العملاء
قطع في الفيوز	<ul style="list-style-type: none"> كابيل التيار الكهربائي (10) أو المكونات الكهربائية الأخرى به عطل الدوار به عطل/ مسدود الدائرة محملة فوق طاقتها 	<ul style="list-style-type: none"> الرجاء الاتصال بخدمة العملاء يرجى الاتصال بخدمة العملاء مقبس بة عطل
أداء منخفض للفلتر	<ul style="list-style-type: none"> مرشح الجسيمات ممتلئ وحدة مضخة الفلتر (11) مسدودة عطل في المحرك 	<ul style="list-style-type: none"> تغيير فلتر الجسيمات إفراغ وحدة مضخة الفلتر (11) التنظيف الأساسي للتلوث الثقيل أدخل المرشح كما هو موضح يرجى الاتصال بخدمة العملاء
يتناثر الزيت من جانب و / أو الجزء الخلفي من وحدة مضخة الفلتر (11)	<ul style="list-style-type: none"> مرشح الجسيمات مسدود الكثير من اللعب بين غطاء المرشح ووحدة فلتر المضخة (11) الفلتر المُدرج غير متداخل 	<ul style="list-style-type: none"> تغيير فلتر الجسيمات يرجى الاتصال بخدمة العملاء أدخل الفلتر كما هو موضح
تومض مؤشرات الطاقة والفلتر (1 و 2) بعد 10 ثوانٍ من التوصيل وتصدر إشارة صوتية	<ul style="list-style-type: none"> زر بدء / إيقاف (5) به عطل وحدة تحكم (8) مبللة من الداخل 	<ul style="list-style-type: none"> الرجاء الاتصال بخدمة العملاء يرجى تركها تجف
لا يمكن اتصال بالإنترنت	<ul style="list-style-type: none"> تم تحديد شبكة خاطئة تم إدخال كلمة مرور خاطئة إشارة WLAN ضعيفة للغاية 	<ul style="list-style-type: none"> اختر الشبكة الصحيحة أدخل كلمة المرور الصحيحة عزز إشارة Wifi ضع جهاز التوجيه بالقرب من VITO
10-10-10 - لا يتم عرض الموقع بشكل صحيح	<ul style="list-style-type: none"> موقع ويب قديم في ذاكرة التخزين المؤقت غير متصل بـ VITO 	<ul style="list-style-type: none"> مسح ذاكرة التخزين المؤقت مسح بيانات المتصفح الاتصال بـ VITO (انظر الفصل 6.5)
الفجوة بين وحدة التحكم (8) ووحدة مضخة الفلتر (11)	<ul style="list-style-type: none"> غطاء الفلتر غير مغلق بشكل صحيح غطاء الفلتر أو وحدة مضخة الفلتر منحنية 	<ul style="list-style-type: none"> أغلق غطاء الفلتر بشكل صحيح وأدخله في وحدة مضخة الفلتر الرجاء الاتصال بخدمة العملاء

إذا وجدت عيوبًا غير مدرجة هنا ، فيرجى الاتصال بخدمة عملاء VITO أو الوكيل الذي تتعامل معه! يمكنك العثور على تفاصيل الاتصال ضمن الفصل 2. معلومات قانونية

12. التخلص

12.1 التخلص من العبوة

- أعد تدوير العبوة.
- أو
- احتفظ بالعبوة.

12.2 التخلص من الفلاتر

- تخلص من الفلاتر المستعملة وفقًا للوائح المحلية.

10. التنظيف

10.1 ملاحظات

- قم بتنظيف وحدة مضخة فلتر (11) في كل مرة يتم فيها تغيير مرشح الفلتر .
- نظف VITO فقط عندما يكون باردًا.
- لا تستخدم المنظفات الكاشطة.
- لا تستخدم فرشاة سلكية أو ما شابه ذلك.

10.2 تحضير التنظيف

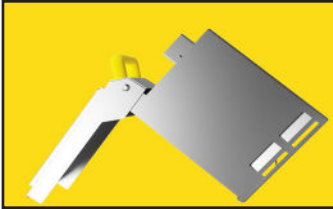
1. تأكد من أن VITO أصبحت باردًا.
2. قم بفك مقابض نجمة (7) (على كلا الجانبين).
3. افصل وحدة التحكم (8) عن وحدة مضخة فلتر (11).
4. افتح وحدة مضخة فلتر (11).
5. تخلص من فلترالجسيمات (انظر الفصل 12.2 التخلص من الفلتر).
6. التنظيف اليدوي أو التنظيف الآلي.

10.3 التنظيف اليدوي

1. قم بتنظيف الوحدة الكهربائية (8) فقط بقطعة قماش مبللة
2. لا تضع VITO تحت الماء الجاري؛ هذا يمكن أن يدمر الوحدة الكهربائية!
3. تنظيف الوحدة الكهربائية (11) و وحدة مضخة فلتر (6) بالصابون السائل
3. جفف VITO بمنشفة

10.4 تنظيف الماكينة

1. قم بتنظيف وحدة كهربائية (8) فقط مع قطعة قماش مبللة! لا تضع وحدة الكهربائية (8) في غسالة الصحون! وهذا قد يتلف الوحدة الكهربائية
2. ضع وحدة مضخة الفلتر (9) و علبة الزيت (6) في غسالة الصحون. تلميح: لا تفتح غطاء الفلتر بالكامل.
3. هذا يسمح للماء بالانتشار بشكل أفضل.
3. ابدأ برنامج التنظيف



لا تفتح غطاء الفلتر بالكامل.



ضع فقط وحدة مضخة الفلتر (11) وصينية التنقيط (6) في غسالة الأطباق.

10.5 التنظيف الأساسي

- إذا كانت وحدة مضخة الفلتر (11) متسخة للغاية ، بتنظيفها والصابون أو منظف المقلاة .
يوصى بالتنظيف الشامل المنتظم.

7. عملية الفلتر

7.1 الإعدادات الفلتر

1. قم بإخراج VITO من درج التجميع (6).
2. أدخل فلتر الجسيمات في وحدة المضخة الفلتر (11) (راجع الفصل 9 تغيير فلتر الجسيمات).
3. أغلق غطاء الفلتر. ادفع غطاء الفلتر في مكانه في الجزء السفلي من وحدة مرشح المضخة (11).
4. ضع وحدة التحكم (8) على وحدة تصفية المضخة (11).
5. تأكد من عدم وجود فجوة بين وحدة التحكم (8) ووحدة مضخة الفلتر (11).
يشير هذا إلى أن غطاء الفلتر لم يتم إغلاقه بشكل صحيح ومقطع.
6. اربط مقابض نجمة (7).



يجب ألا تكون هناك فجوة بين وحدة التحكم (8) ووحدة مضخة الفلتر (11).

7.2 ابدأ عملية الفلتر

1. ضع فينتو في المقلاة العميقة.
2. تأكد من وجود قاعدة ثابتة.
3. تحقق من مستوى زيت القلي (لاحظ علامات MAX و MIN)
4. قم بتوصيل كابل الطاقة (10).
5. يضيء مؤشر الطاقة (1).
اضغط على زر التشغيل / الإيقاف (5).
يضيء مؤشر المرشح (2) أثناء عملية الفلتر.

7.3 إيقاف عملية الفلتر قبل الأوان

1. اضغط على زر البدء / الإيقاف (5).
ينطفئ مؤشر الفلتر (2).
2. ارفع VITO واسمح للزيت المتبقي بالتدفق إلى المقلاة .
3. قم بتخزين VITO كما هو موضح في الفصل 8 وقت التخزين / التبريد.

8. التخزين / وقت التبريد

- ضع VITO في علبة الزيت (6) بعد الاستخدام أو للنقل.
- درجة حرارة التخزين المسموح بها + 10 درجة مئوية - 30 درجة مئوية.

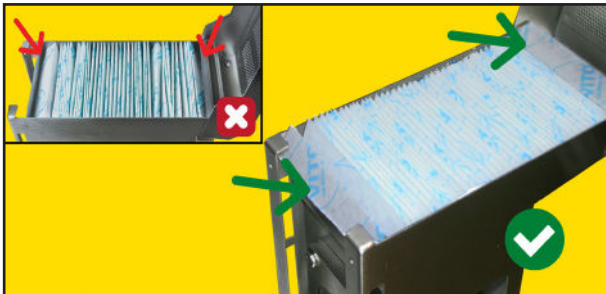
مراحل التبريد:

- تصل إلى 2.5 ساعة عند فصل كابل الطاقة (10).
- مع توصيل كابل الطاقة (10) 15 دقيقة تقريبًا.

9. تغيير فلتر الجسيمات

- قم بتغيير ورق الفلتر حسب الحاجة. يعتمد التغيير على استخدام VITO ودرجة تلوث زيت القلي. يمكن تحقيق 10 فلاتر كحد أقصى باستخدام فلتر جسيمات واحد.

لا تترك أي فجوات بين الفلتر
وحواف وحدة مضخة فلتر (11).



قم بمداخلة الطية الأخيرة
على كلا جانبي وحدة
مضخة فلتر (11).

6.5 البرمجة عبر الإنترنت

- يوفر VITO خيار إعداد وقت الفلترة والإشارة الصوتية واتصال الشبكة عبر الإنترنت باستخدام هاتف ذكي أو جهاز لوحي أو كمبيوتر شخصي.
1. قم بتوصيل VITO.
 2. افتح إعدادات WiFi الخاصة بجهازك (الكمبيوتر اللوحي أو الهاتف الذكي أو الكمبيوتر الشخصي).
 3. ابحث عن الشبكة «VITO Config + الرقم التسلسلي». يمكن العثور على الرقم التسلسلي (SN) الخاص بـ VITO على لوحة النوع (16).
 4. اتصل بالشبكة.
 5. أدخل كلمة المرور: 12345789. يومض مؤشر WiFi (VL فقط).
 6. افتح متصفح الويب.
 7. أدخل عنوان IP في حقل العنوان: 10.10.10.10.
 8. انقر فوق قطرات VITO.
 9. قم بتسجيل الدخول بالبيانات التالية:
اسم المستخدم: user
كلمة المرور: Vito2k18
 10. إذا لزم الأمر ، قم بتغيير اللغة بالنقر فوق EN ، و DE ، إلخ.

6.5.1 اضبط وقت الترشيح

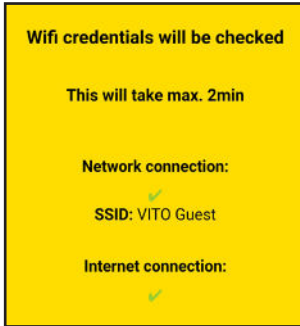
- لضبط وقت الترشيح ، اتبع التعليمات الموجودة في الفصل 6.5 البرمجة عبر الإنترنت ، ثم:
1. اختر مدة الفلترة المطلوبة.
 2. انقر فوق «حفظ». يضيء مؤشر الفلترة (2) لفترة وجيزة وتصدر إشارة صوتية.

6.5.2 تشغيل / إيقاف تشغيل الإشارة الصوتية

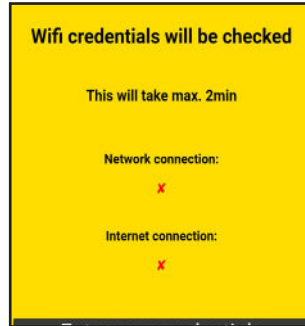
- لضبط مستوى صوت الإشارة ، اتبع التعليمات الواردة في الفصل 6.5 البرمجة عبر الإنترنت ، ثم:
1. تحت عنصر القائمة «الجرس» ، اختر ما إذا كان يجب تشغيله أو إيقافه. يضيء مؤشر الفلترة (2) لفترة وجيزة وتصدر إشارة صوتية.

6.6 اتصال بالإنترنت

- لكي تتمكن من استخدام VITOconnect إلى أقصى حد ، يتطلب VITO اتصالاً بالإنترنت. لهذا تحتاج إلى شبكة WiFi بقوة 2.4 جيجا هرتز لدمج VITO في شبكتك ، اتبع التعليمات الواردة في الفصل 6.5 البرمجة عبر الإنترنت ، ثم:
1. انقر فوق «تكوين شبكة WiFi»
 2. اختر شبكة.
 3. أدخل كلمة مرور الشبكة. (إذا لم يكن لديك كلمة مرور للشبكة ، فاترك هذا الحقل فارغاً).
 4. تحقق من كلمة مرور الشبكة من خلال النقر على «إظهار كلمة المرور».
 5. اضغط على حفظ. سيتحقق VITO الآن من اتصال الشبكة / الإنترنت.



تم الاتصال بنجاح.



تم الاتصال بنجاح
تحقق من الشبكة وكلمة المرور.

تقوم VITO بجمع بيانات الاستخدام وإرسالها فقط. لا يتم جمع أو إرسال أي بيانات شخصية.
على <https://connect.vito.ag> ستجد نظرة عامة عبر الإنترنت على بيانات الاستخدام والخدمات والتحديثات.

6.7 رمز الاستجابة السريعة

امسح رمز الاستجابة السريعة الموجود على وحدة التحكم (8) للوصول بسهولة إلى موقع ويب به معلومات مفيدة ونصائح عديدة حول VITO الخاص بك

5. وظائف الأمان

5.1 حماية الانقلاب والاهتزاز

إذا تم وضع VITO بزاوية تزيد عن 17 درجة ، أو تميل أو تهتز كثيراً بسبب عيب أو وضع غير صحيح ، فإن VITO تقوم بإيقاف تشغيل الترشيح على الفور. وميض شاشة العرض (1) وشاشة الفلتر (2) وإشارة صوتية متكررة.

5.2 الإشارات الصوتية

تصدر إشارة صوتية قصيرة بعد بدء النظام. ثم يصحح VITO جاهزاً للاستخدام.
في نهاية كل دورة الفلتر ، تصدر إشارة صوتية لمدة 5 ثوانٍ. يمكن إلغاء تنشيط الإشارة الصوتية (انظر الفصل 6 قبل بدء التشغيل).

5.3 درجة الحرارة المرتفعة

في حالة ارتفاع درجة الحرارة (وحدة التحكم < 75 درجة مئوية) ، يوقف VITO عملية الترشيح.
تومض شاشة العرض (1) ويصدر VITO إشارة صوتية.
قم بأخراج VITO من القلاية وقم بتخزينها بشكل صحيح (انظر الفصل 8 التخزين / وقت التبريد).

6. قبل بدء التشغيل

6.1 وقت الفلتر

إعداد المصنع لوقت الترشيح هو 4.5 دقيقة ويمكن أن تصل إلى 16 دورة في التتابع المباشر.

6.2 التبريد النشط

VITO لديها تبريد نشط.
يعتمد التبريد النشط على درجة الحرارة ويتم تشغيله تلقائياً. بعد بدء التشغيل ، يتم إجراء فحص للوظيفة

6.3 التحقق من ضبط المصنع

1. اضغط مع الاستمرار على زر بدء / إيقاف (5).
2. قم بتوصيل كابل الطاقة (10). في هذه الأثناء اضغط على زر البدء / الإيقاف (5).
3. اضغط مع الاستمرار على زر بدء / إيقاف (5) لمدة 5 ثوانٍ. يصدر VITO إشارة صوتية ويضيء مؤشر الفلتر (2) لفترة وجيزة.
4. يتم عرض وقت الدورة المبرمج من خلال وميض الشاشات.
5. يظهر مؤشر الطاقة (1) دقيقة واحدة لكل ومضة
6. تعرض مؤشر الفلتر (2) 30 ثانية لكل ومضة
على سبيل المثال:
4x أحمر = 4 دقائق.
1x أخضر = 30 ثانية.
= مدة الدورة: 4 دقائق. 30 ثانية.

6.4 البرمجة دون اتصال بالإنترنت

6.4.1 ضبط وقت الترشيح

- لإعادة ضبط وقت الدورة ، اتبع الخطوات الواردة في الفصل 6.3 التحقق من إعدادات المصنع ، ثم:
1. اضغط على زر البدء / الإيقاف (5) فوراً بعد عرض وقت الدورة.
 2. اضغط على زر زر بدء / إيقاف (5) لتمديد وقت الدورة بمقدار 30 ثانية (يبدأ عند 0 ثانية)
 3. (على سبيل المثال ، اضغط 3 مرات لمدة دقيقة واحدة و 30 ثانية. إلخ)
 4. عندما يتم ضبط وقت الدورة المطلوب ، انتظر حتى يضيء مؤشر الفلتر (2) لفترة وجيزة وتصدر إشارة صوتية.
 4. افصل كابل الطاقة (10).

6.4.2 تشغيل / إيقاف تشغيل الإشارة الصوتية

- لضبط مستوى الإشارة الصوتية ، اتبع التعليمات الواردة في الفصل 6.3 فحص إعدادات المصنع ، ثم:
1. انتظر حتى تضيء مؤشر الفلتر (2) لفترة وجيزة وتصدر إشارة صوتية قصيرة
 2. اضغط على زر بدء / إيقاف (5) لضبط الإشارة.
تعرض الشاشات الحالة:
عرض الطاقة (1) = إيقاف الصوت
شاشة الطاقة (1) + عرض المرشح (2) = تشغيل الصوت
 3. عند إجراء الإعداد المطلوب ، انتظر حتى يضيء مؤشر الفلتر (2) لفترة وجيزة وتصدر إشارة صوتية.
 4. افصل كابل الطاقة (10).

3. مقدمة

VITO عزيزي العميل
AG VITO شكرا لك على اختيار هذا المنتج من قبل شركة
ضمان الاستخداف السليم , VITO رجي قراءة الدليل بعناية للتعرف بنفسك على كيفية التعامل مع نظام فلتر الزيت
لرد على أسئلتكم وتقديم الدعم من قبل الموزع المحلي وخدمة العملاء.
ونحن ممتنون للتعليقات واقتراحات بشأن نظام فلتر الزيت VITO (تجدون معلومات الاتصال في هذا الدليل)
نأمل أن تستمتع مع نظام فلتر الزيت لفترة VITO طويلة وزيادة الكفاءة في مؤسستك انت تملك نظام فلتر الزيت عالية الجودة من الذي يمكن
أن تتوقعه حياة طويلة والدعم الفعال لعملكم.

4. تعليمات السلامة

4.1 شرح الرموز

يمكن أن يؤدي التشغيل غير الصحيح ل VITO إلى حدوث مخاطر وإصابات. يجب ملاحظة ما يلي.
يتم تمييز الأخطار المحتملة بواسطة هذه الرموز:

تحذير خطر الإصابة إذا لم يكن هذا الحظ		خطر حدوث صدمة كهربائية عند استعمال غير صحيح أو في حالة فتح الجهاز	
خطر النزلق إذا كان الزيت متسرب إلى الارض		الحذر أهم النصائح المنية	
خطر الحتراف استخدام VITO التطبيق غير صحيح		تعليمات التشغيل معلومات حول التعامل مع نظام فلتر الزيت	

4.2 تعليمات السلامة

- لم يتم اعتماد VITO لفلتر السوائل بخلاف زيت الفلي.
- لا تستخدم أو تخزن VITO في الخارج! الضرر الناتج عن المطر أو الرطوبة.
- لم يتم تصميم VITO للتشغيل المستمر! (خطر ارتفاع درجة الحرارة / حريق)
- يمنع الأطفال تمامًا من استخدام VITO!
- لا تغطي فتحات التهوية (12)!
- لا تلمس سلك الطاقة (10) ووحدة التحكم (8) ويداك مبتلتان!
- لا تقم ذي سلك الطاقة (10)!
- لا تدع كابل الكهرباء (10) يلامس الزيت الساخن أو أي أجسام ساخنة أخرى.
- لا يجوز تشغيل VITO إلا على وصلات حماية من الدرجة الأولى (مع تلامس موصل واتي).
- قم بتنظيف VITO قبل الاستخدام الأول (انظر الفصل 10 التنظيف).
- يجب أن يتطابق جهد التيار الكهربائي المحلي مع الجهد الموجود على لوحة النوع (16).
- أقصى درجة حرارة للتشغيل هي 200 درجة مئوية (درجة حرارة الفلي العميق الموصى بها 175 درجة مئوية).
- لا تدع وحدة مرشح المضخة (11) تجف!
- انتبه إلى عناصر التسخين أو الشبكات أو مستشعرات درجة الحرارة القلاية!
- احمل VITO فقط بواسطة المقابض السوداء (9)!
- لا تقم بتشغيل VITO في وضع مائل!
- لا تقم بتحريك VITO أثناء الترشيح!

4.3 الغرض من الاستخدام

- تم تصميم VITO للاستخدام التجاري في صناعة المطاعم
- اتبع تعليمات السلامة. يمكن الفلتر فقط إذا كان الزيت سائلاً
- يجب استخدام VITO فقط من قبل موظفين مدربين بشكل مناسب
- تم تصميم VITO للتشغيل المتقطع

لا يتم قبول أي مسؤولية عن الاستخدام غير السليم! 

1. المنتج



VITO VM

VITO VL

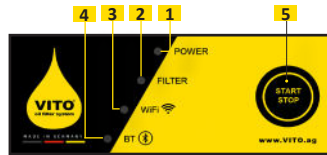
1.2 نطاق التسليم

- فلتر زيت القلي
- دليل المستخدم
- دليل البدء السريع
- مرشح الجسيمات (11 قطعة)
- وعاء تقطير

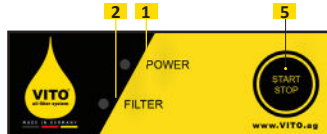
اكتب التسمية (16)



لوحة التحكم (15) VL



لوحة التحكم (15) VM



1.1 وصف المنتج

1. مؤشر الطاقة (أحمر LED)
2. مؤشر الفلتر (أخضر LED)
3. مؤشر WiFi (وردي LED) (VL فقط)
4. مؤشر BT (أزرق LED) (VL فقط)
5. زر بدء / إيقاف
6. علبه الزيت
7. مقايض نجمة (2 قطعة)
8. وحدة التحكم
9. المقبض
10. كابل الكهرباء الرئيسي
11. وحدة مضخة الفلتر
12. فتحات التهوية
13. حماية الكابل
14. حامل الكابل (VL فقط)
15. لوحة التحكم
16. اكتب التسمية

2. لمعلومات القانونية

VITO AG

Eltastrasse 6

Tuttlingen 78532 (ألمانيا)

هاتف: +49 (0) 7461 96289 0

فاكس: +49 (0) 7461 96289 12

info@vito.ag

www.vito.ag

المدير التنفيذي:

MBA, Dipl.-Wirt.Ing) Andreas

(Schmidt

المكتب الرئيسي Tuttlingen, ألمانيا

إعادة. ملعب تنس HRB-75022 Stuttgart

بالتعاون مع:

جامعة Albstadt-Sigmaringen

-هندسة صناعية-

Jakobstrasse 1

Albstadt 72458

Copyright © VITO AG

كل الحقوق محفوظة

يخضع هذا المستند لحقوق الطبع والنشر لشركة VITO AG.

لا يجوز نسخ المستند أو أجزاء منه أو استخدامه بما يتعارض مع مصالحهم

المشروعة دون الحصول على موافقة كتابية مسبقة من VITO AG.

نحتفظ بالحق في إجراء تغييرات تتماشى مع التقدم التقني.

2	1. المنتج
2	1.1 وصف المنتج
2	1.2 نطاق التسليم
2	2. لمعلومات القانونية
3	3. مقدمة
3	4. تعليمات السلامة
3	4.1 شرح الرموز
3	4.2 تعليمات السلامة
3	4.3 الغرض من الاستخدام
4	5. وظائف الأمن
4	5.1 حماية الانقلاب والاهتزاز
4	5.2 الإشارات الصوتية
4	5.3 درجة الحرارة المرتفعة
4	6. قبل بدء التشغيل
4	6.1 وقت الفلتر
4	6.2 التبريد النشط
4	6.3 التحقق من ضبط المصنع
4	6.4 البرمجة دون اتصال بالإنترنت
4	6.4.1 ضبط وقت الترشيح
4	6.4.2 تشغيل / إيقاف تشغيل الإشارة الصوتية
5	6.5 البرمجة عبر الإنترنت
5	6.5.1 اضبط وقت الترشيح
5	6.5.2 تشغيل / إيقاف تشغيل الإشارة الصوتية
5	6.6 اتصال بالإنترنت
5	6.7 رمز الاستجابة السريعة
6	7. عملية الفلتر
6	7.1 الإعدادات الفلتر
6	7.2 ابدأ عملية الفلتر
6	7.3 إيقاف عملية الفلتر قبل الأوان
6	8. التخزين / وقت التبريد
6	9. تغيير فلتر الجسيمات
7	10. التنظيف
7	10.1 ملاحظات
7	10.2 تحضير التنظيف
7	10.3 التنظيف اليدوي
7	10.4 تنظيف الماكينة
7	10.5 التنظيف الأساسي
8	11. استكشاف الأخطاء وإصلاحها
8	12. التخلص
8	12.1 التخلص من العبوة
8	12.2 التخلص من الفلاتر
9	12.3 التخلص من الأجهزة القديمة
9	12.4 توجيه نفايات المعدات الكهربائية والإلكترونية
9	13. البيانات الفنية
10	14. إقرار المطابقة



Manufacturer

VITO AG

Eltastr.6, 78532 Tuttlingen

P: +49 (0) 7461 / 96289-0

F: +49 (0) 7461 / 96289-12

info@vito.ag

www.vito.ag

VITO® is a registered trademark of
VITO AG, Germany.

Follow us on:



#vitofilter