

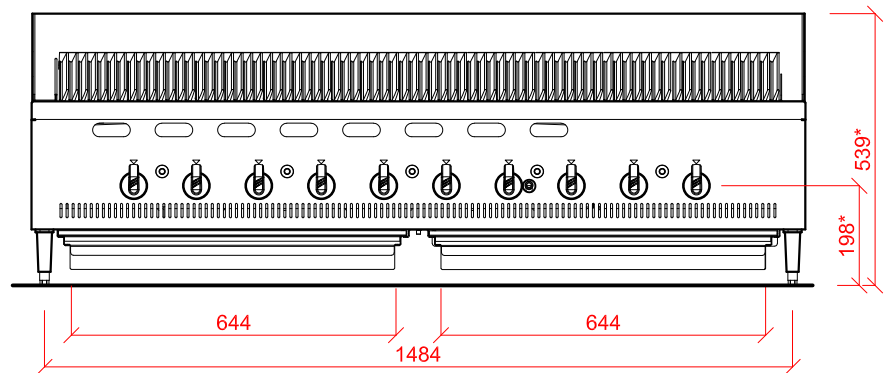
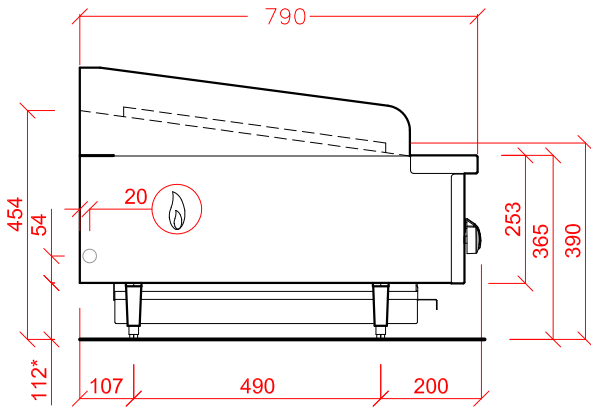
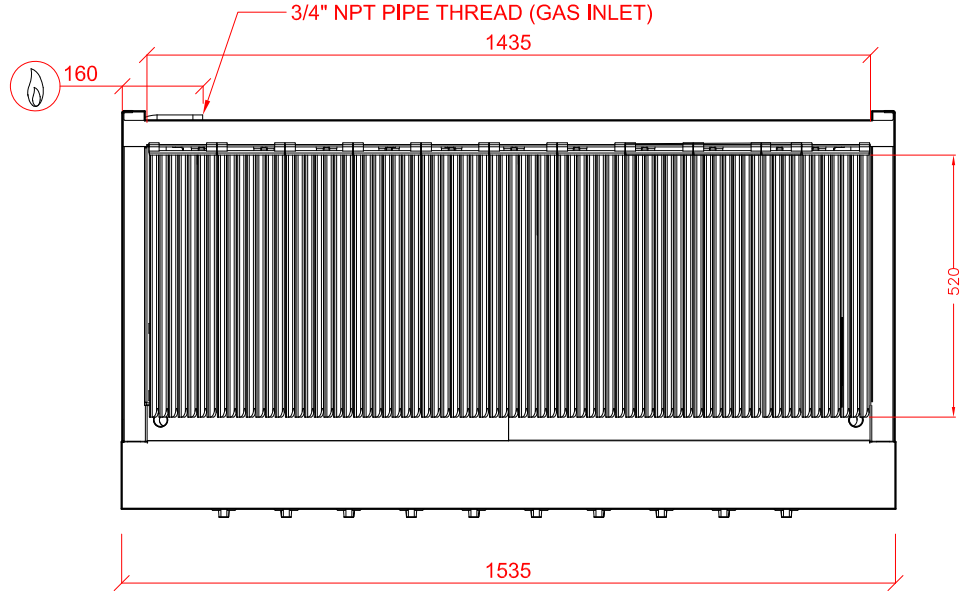
**COOKING EQUIPMENT  
CHARBROILER RANGE**



**HOBART UK,**  
SOUTHGATE WAY,  
ORTON SOUTHGATE,  
PETERBOROUGH.  
PE2 6GN  
0844 888 7777  
www.hobartuk.com

**Charbroiler Range - Natural Gas**

**BCB1500-1**



**Device Number**

**Description**

**Gas**

**Notes**

BCB1500-1

GAS CHARBROILER -  
(Natural Gas).  
(WITH PIEZO IGNITION).

37.0kW /  
(126,275BTU/H)

22mm CONNECTION, 20m BAR

**SPECIAL NOTE:**  
INSTALLATION MUST COMPLY  
WITH CURRENT GAS SAFETY  
REGULATIONS AND BS 6173  
UNIT WEIGHT - 196kg