

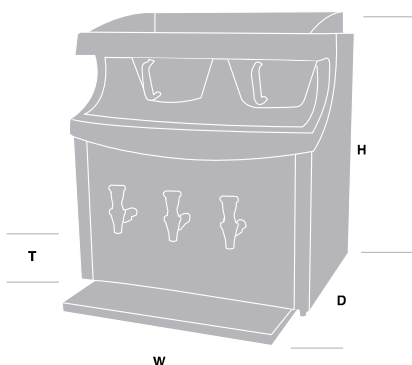
Filter coffee machine /
bulk brew

FEATURES

- Boiler-brewer range
- Excellence in coffee
- Stainless steel construction
- Half and full brew feature
- Separate hot water and coffee taps
- Self-service options available
- 2 coffee urns
- 2 full brews can run simultaneously
- Attractive design for prestigious locations
- Alternative power options available on request

QWIKBREW TWIN/ MAXIBREW TWIN

OPTIONS



Qwikbrew Twin



Maxibrew Twin

Ideal for very high volume coffee requirements,
e.g. hotels, banqueting and large canteens.



Qwikbrew	Order Code	Water		Coffee		Dimensions (DxWxHmm)	T(mm)	Power @230V	Weight (kg)	Packing (mm) Dimensions	Qty Pallet	Plumbing Requirements	
		Immediate Draw Off	Output Per Hour	Cups Per Hour	Full Brew								Cups Per Hour
Qwikbrew Twin	1000495	6.8L	56.0L	311	6L x 2	377	620x650x744	170	5.6kW	40	750x550x850	1	3/4" BSP
Maxibrew Twin	1000465	8.5L	84.0L	467	12L x 2	529	630x762x867	170	8.4kW 3ph	50	850x850x650	1	3/4" BSP

• Hot water & coffee taps can be used simultaneously; will affect maximum output of each. • Two full brews can be run simultaneously.