



P8B4 - Panther 800 Series Free-standing Hot Cupboard - Bain Marie Top - 4GN - W 1555 mm - 4.9 kW

Helping to cater in demanding environments such as cafeterias, canteens and restaurants, the Panther 800 Series Hot Cupboard / Bain Marie is an effective way of holding food at the desired temperature, and is perfect for holding carvery and breakfast items either for self service or for back service.

- ✓ Helping to cater in demanding environments such as cafeterias, canteens and restaurants
- ✓ Fan assisted hot cupboard provides even heat distribution, fast heat up and recovery times, and lower energy usage. Four shelf positions allow adjustment to meet individual needs.
- ✓ Fully 1/1 GN compatible hot cupboard for operational efficiency. Units available to take 4 x 1/1 GN containers up to 150mm deep.
- ✓ Thermostatically controlled bain marie top can be operated with wet or dry heat. Accurate digital electronic control of the hot cupboard temperature, adjustable between 20 and 99 degrees C, ensures compliance with food hygiene regulations
- ✓ Double skinned construction provides efficient heat retention and a cool to touch exterior - safe and energy efficient. Removable doors and shelves allow access to the fully stainless steel interior for easy cleaning
- ✓ Supplied with two heavy duty multi-section chrome plated rod shelves capable of taking the heaviest loads
- ✓ Drain tap located inside the hot cupboard allows fast and easy draining

Specifications

Summary

Range Name	Panther
Power Type	Electric
Unit Type	Free-standing
Available in UK Only	No
UK Warranty	2 Years Parts and Labour Warranty
Export Warranty	Contact your local dealer
GTIN Code	5056105103493

Power and Performance

Gastronorm Capacity	4 x GN1/1
Total Power kW	4.9
Temperature Range °C	20 - 99
IP Rating	IP24
Plate Capacity	396
Temperature Control	Top: Mechanical/Bottom: Electronic

Key Specifications

Drain Location	Right side interior mounted
Number of Shelves included	2
Number of Shelf Positions	4
Pot Type	Gastronorm
Type of Heat	Wet/Dry
Heated Base	Yes
Heated Gantry	No
Static or Mobile	Mobile

Weights and Dimensions

Unit Height (External) mm	912
Unit Width (External) mm	1530
Unit Depth (External) mm	850
Height (Internal) mm	432
Width (Internal) mm	1345
Depth (Internal) mm	512
Shelf Dimensions Width mm	1286
Shelf Dimensions Depth mm	512
Net Weight Kg	120

Supply Connections		Shipping	
Requires Installation	Yes	Packed Weight Kg	135
Requires Electrical Supply	Yes	Packed Height cm	110
UK 3 Pin Plug	No	Packed Width cm	155
Requires Hardwiring	Yes	Packed Depth cm	90
Electrical Supply Rating Watts	4,900		
Single Phase Amps	21.5		
Single Phase Voltage	230		

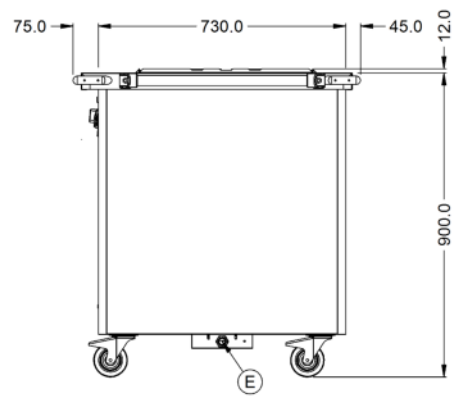
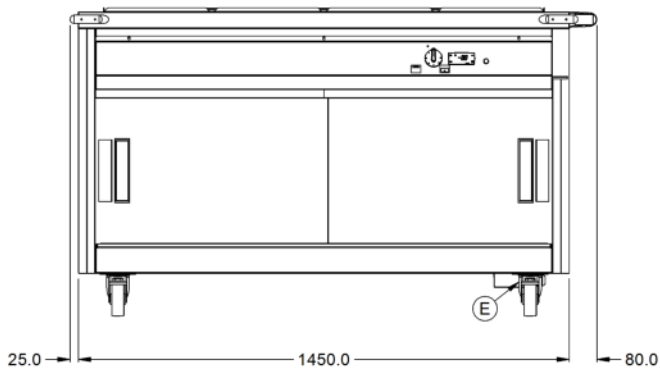
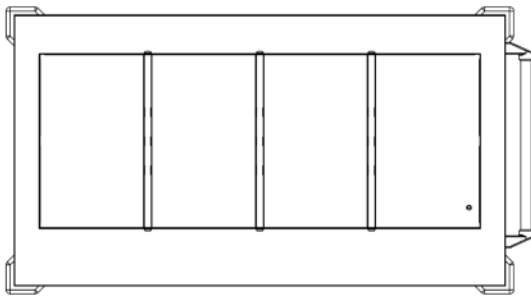
Available Options

Overshelf or Gantry	
PG4A	Ambient Gantry
PG4H	Heated Gantry
PS4A1	1 x Ambient Overshelf
PS4A2	2 x Ambient Overshelves
PS4A3	3 x Ambient Overshelves
PS4H1	1 x Heated Overshelf
PS4H2	2 x Heated Overshelves
PS4H3	3 x Heated Overshelves
Door Locks	
PDL4	Lockable Door
Corner Guards	
PCG	Corner Guards [Set of Four]
Trayslides	
PTS4	Tray Slide
Legs/Castors	
PLK	Legs

Available Accessories

CP16	CARVERY PAD 1/1 GAST
PGK1	GN PACK 1
PGK10	1 x PGK1 + 1 x PGK3
PGK11	1 x PGK2 + 1 x PGK3
PGK12	2 x PGK3
PGK2	GN PACK 2
PGK3	GN PACK 3
PGK8	2 x PGK1
PGK9	1 x PGK1 + 1 x PGK2
PHTC	PANTHER - CERAMIC INSERT - 1/1 GN SIZE CERAMIC INSERT
PHTG	PANTHER - GLASS INSERT - 1/1 GN SIZE GLASS INSERT
PLK/S	PANTHER LEG KIT FOR CONVERSION IN THE FIELD

Technical Picture



Lincat Limited

Whisby Road,
Lincoln, LN6 3QZ,
United Kingdom

Company No: 2175448

A member company of



Customer Care

Tel: +44 1522 875500
Email: care@lincat.co.uk

Export Customers

Tel: +44 1522 503250
Email: export@lincat.co.uk

Opening Hours

Monday – Friday:
8.30am – 5pm