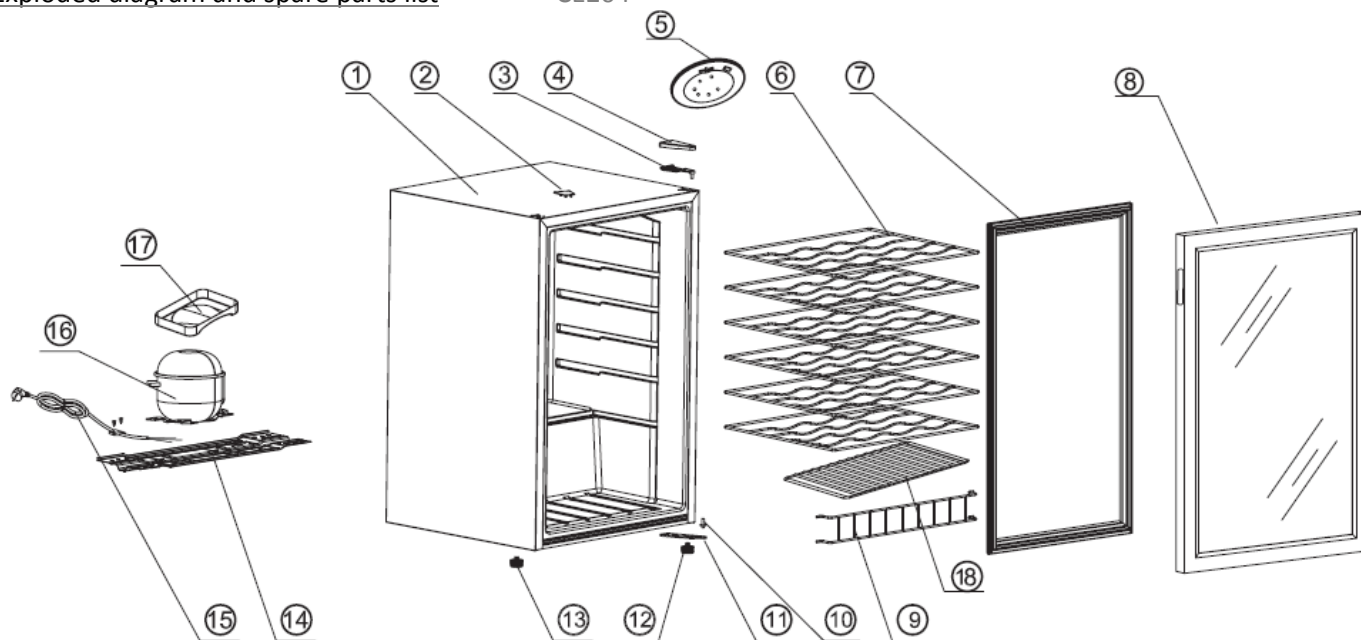


Exploded diagram and spare parts list

CE204



| Machine | Explode | Code | Description |
|---------------------------------------|---------|-------|-------------------|
| CE 204 Polar Wine Cooler – 47 Bottles | 1 | | Case |
| CE 204 Polar Wine Cooler – 47 Bottles | 2 | AD277 | Door Hinge Washer |
| CE 204 Polar Wine Cooler – 47 Bottles | 3 | | Upper Door Hinge |
| CE 204 Polar Wine Cooler – 47 Bottles | 4 | AD273 | Door Hinge Cover |
| CE 204 Polar Wine Cooler – 47 Bottles | 5 | | Thermostat |
| CE 204 Polar Wine Cooler – 47 Bottles | 6 | AD279 | Wavy Shelf |
| CE 204 Polar Wine Cooler – 47 Bottles | 7 | | Door Seal |
| CE 204 Polar Wine Cooler – 47 Bottles | 8 | AB645 | Door |
| CE 204 Polar Wine Cooler – 47 Bottles | 9 | AD280 | Rack |
| CE 204 Polar Wine Cooler – 47 Bottles | 10 | | Door Lever |
| CE 204 Polar Wine Cooler – 47 Bottles | 11 | AD274 | Lower Door Hinge |
| CE 204 Polar Wine Cooler – 47 Bottles | 12 | AD275 | Foot |
| CE 204 Polar Wine Cooler – 47 Bottles | 13 | AD275 | Foot |
| CE 204 Polar Wine Cooler – 47 Bottles | 14 | | Compressor Base |
| CE 204 Polar Wine Cooler – 47 Bottles | 15 | | Power Cord & Plug |
| CE 204 Polar Wine Cooler – 47 Bottles | 16 | | Compressor |
| CE 204 Polar Wine Cooler – 47 Bottles | 17 | AD278 | Water Box |
| CE 204 Polar Wine Cooler – 47 Bottles | 18 | | Shelf |