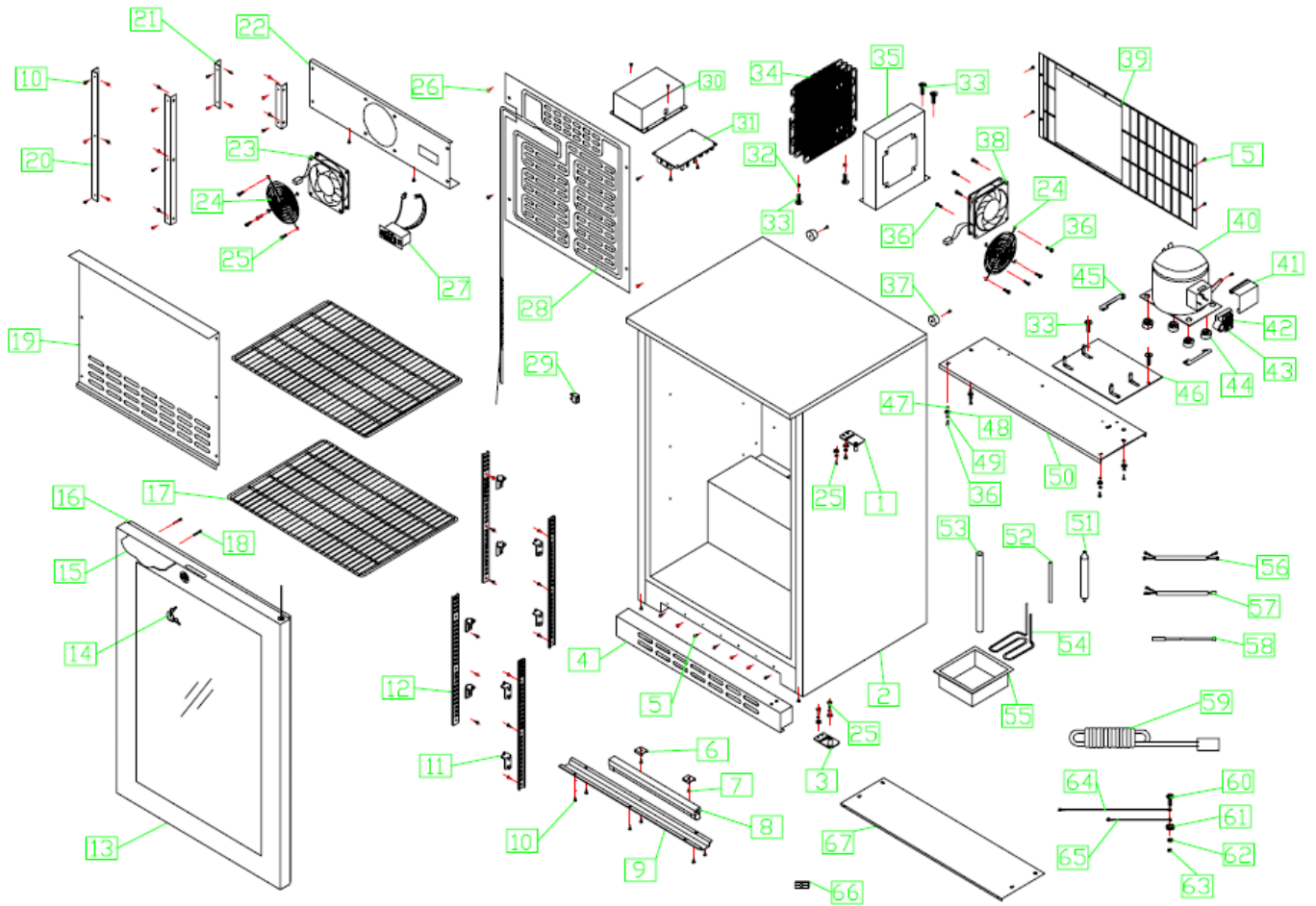


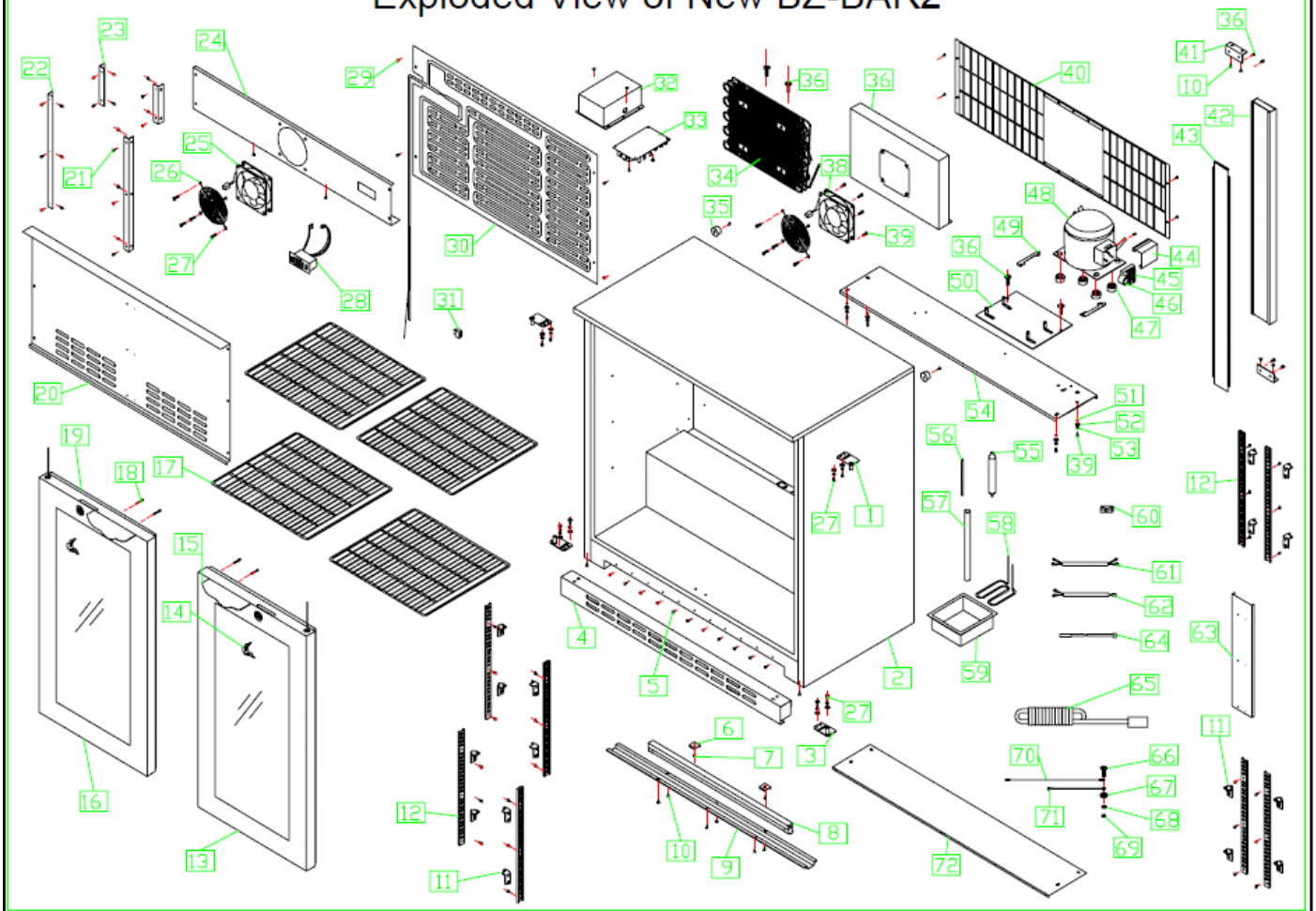
Exploded View of New BZ-BAR1



No.	Parts Code	Parts Name	QTY.
1	BZ-BAR1-001	Top hinge	1
2	BZ-BAR1-002	Cabinet	1
3	BZ-BAR1-003	Bottom hinge	1
4	BZ-BAR1-004	Kick Plate (Front Grill)	1
5	BZ-BAR1-005	Philips screw	19
6	BZ-BAR1-006	Lamp holder	2
7	BZ-BAR1-007	Philips screw	2
8	BZ-BAR1-008	Fluorescent Lamp	1
9	BZ-BAR1-009	Lamp Cover	1
10	BZ-BAR1-010	Philips screw	40
11	BZ-BAR1-011	Plastic Clip	8
12	BZ-BAR1-012	Plastic Pilaster	4
13	BZ-BAR1-013	Glass Door	1
14	BZ-BAR1-014	Key	2
15	BZ-BAR1-015	Plastic Handle	1
16	BZ-BAR1-016	Gasket for Glass Door	1
17	BZ-BAR1-017	Shelf	2
18	BZ-BAR1-018	Screw	2
19	BZ-BAR1-019	Inner lid	1
20	BZ-BAR1-020	Long item	2
21	BZ-BAR1-021	Short item	2
22	BZ-BAR1-022	Inner fan board	1

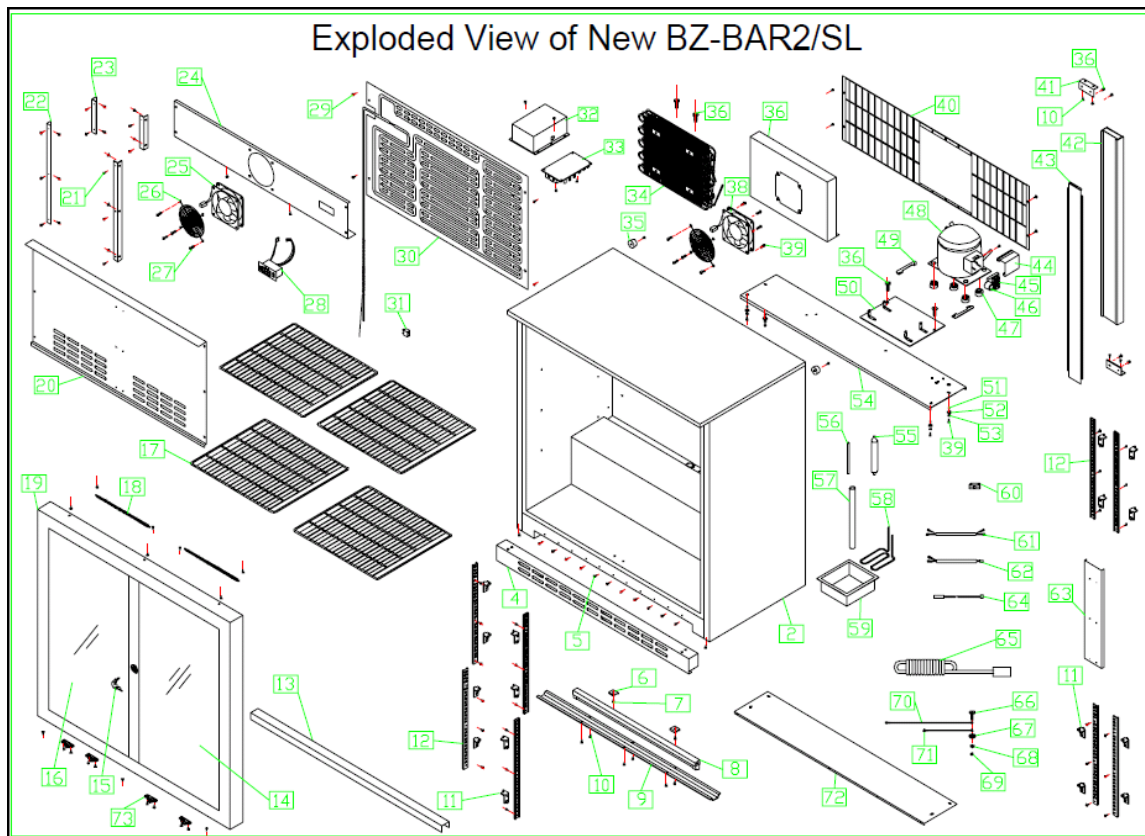
23	BZ-BAR1-023	Evaporator Fan	1
24	BZ-BAR1-024	Fan lid	2
25	BZ-BAR1-025	Screw	8
26	BZ-BAR1-026	Philips screw	4
27	BZ-BAR1-027	Electric thermostat Controller HD-102SB	1
28	BZ-BAR1-028	Roll Bond Evaporator	1
29	BZ-BAR1-029	Lamp switch	1
30	BZ-BAR1-030	Plastic box for Transformer	1
31	BZ-BAR1-031	Transformer for Controller	1
32	BZ-BAR1-032	Hexagon nut	2
33	BZ-BAR1-033	Screw	6
34	BZ-BAR1-034	Condenser	1
35	BZ-BAR1-035	Condenser box	1
36	BZ-BAR1-036	Screw	12
37	BZ-BAR1-037	Rubber Backstop	2
38	BZ-BAR1-038	Condenser Fan	1
39	BZ-BAR1-039	Back Cover	1
40	BZ-BAR1-040	Compressor	1
41	BZ-BAR1-041	Electric cover	1
42	BZ-BAR1-042	Starter	1
43	BZ-BAR1-043	Overheat and overload protector	1
44	BZ-BAR1-044	Rubber grommet	4
45	BZ-BAR1-045	Compressor fixture item	2
46	BZ-BAR1-046	Moving board	1
47	BZ-BAR1-047	Hexagon nut	4
48	BZ-BAR1-048	Flat washer	8
49	BZ-BAR1-049	spring washer	8
50	BZ-BAR1-050	Compressor Board	1
51	BZ-BAR1-051	Filter and Drier	1
52	BZ-BAR1-052	Process tube	1
53	BZ-BAR1-053	Plastic tube	1
54	BZ-BAR1-054	Cu Tube	1
55	BZ-BAR1-055	Water box	1
56	BZ-BAR1-056	Short wire sheaf	1
57	BZ-BAR1-057	Fan wire	1
58	BZ-BAR1-058	Temperature sensor	1
59	BZ-BAR1-059	Power Wire and Plug	1
60	BZ-BAR1-060	Screw	1
61	BZ-BAR1-061	Spring washer	1
62	BZ-BAR1-062	Flat washer	1
63	BZ-BAR1-063	Hexagon nut	1
64	BZ-BAR1-064	Long earth wire	1
65	BZ-BAR1-065	Short earth wire	1
66	BZ-BAR1-066	Wire clip	1
67	BZ-BAR1-067	Front board	1

Exploded View of New BZ-BAR2



No.	Parts Code	Parts Name	QTY.
1	BZ-BAR1-001	Top hinge	2
2	BZ-BAR2-001	Body	1
3	BZ-BAR1-003	Bottom hinge	2
4	BZ-BAR2-002	Kick Plate (Front Grill)	1
5	BZ-BAR1-005	Philips screw	19
6	BZ-BAR1-006	Lamp holder	2
7	BZ-BAR1-007	Philips screw	2
8	BZ-BAR2-003	Fluorescent Lamp	1
9	BZ-BAR2-004	Lamp Cover	1
10	BZ-BAR1-010	Philips screw	56
11	BZ-BAR1-011	Plastic Clip	16
12	BZ-BAR1-012	Plastic Pilaster	8
13	BZ-BAR2-005	Right glass door	1
14	BZ-BAR1-014	Key	4
15	BZ-BAR1-015	Plastic Handle	2
16	BZ-BAR2-006	Left glass door	1
17	BZ-BAR2-007	Shelf	4
18	BZ-BAR1-018	Screw	4
19	BZ-BAR2-008	Gasket for Glass Door	2
20	BZ-BAR2-009	Inner lid	1
21	BZ-BAR1-010	Philips screw	22
22	BZ-BAR1-020	Long item	2
23	BZ-BAR1-021	Short item	2
24	BZ-BAR2-010	Inner fan board	1

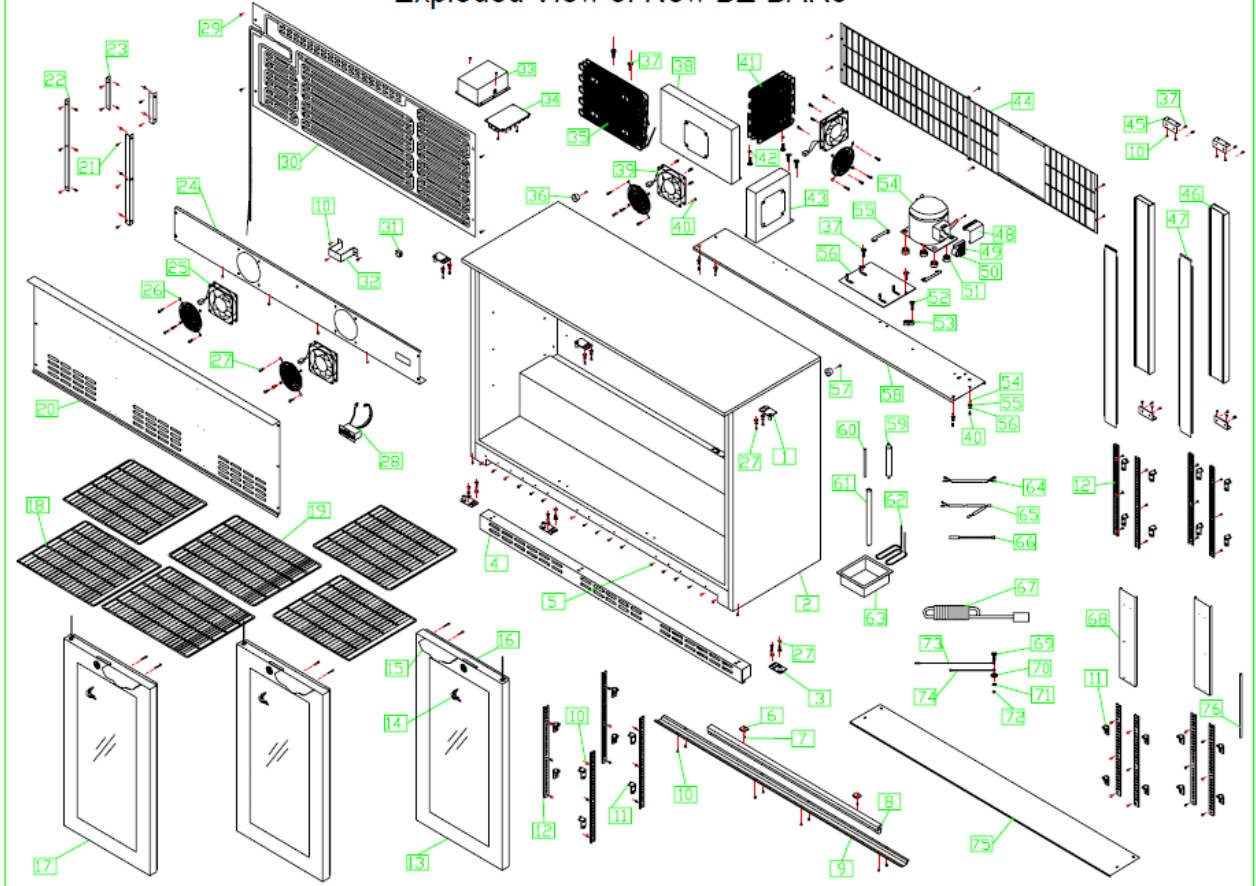
25	BZ-BAR1-023	Evaporator Fan	1
26	BZ-BAR1-024	Fan lid	2
27	BZ-BAR1-025	Screw	8
28	BZ-BAR1-027	Electric thermostat Controller HD-102SB	1
29	BZ-BAR1-026	Philips screw	4
30	BZ-BAR2-011	Roll Bond Evaporator	1
31	BZ-BAR1-029	Lamp switch	1
32	BZ-BAR1-030	Plastic box for Transformer	1
33	BZ-BAR1-031	Transformer for Controller	1
34	BZ-BAR2-012	Condenser	1
35	BZ-BAR1-037	Rubber Backstop	2
36	BZ-BAR1-033	Screw	8
37	BZ-BAR2-013	Condenser box	1
38	BZ-BAR1-038	Condenser Fan	1
39	BZ-BAR1-036	Screw	12
40	BZ-BAR2-014	Back Cover	1
41	BZ-BAR2-015	Fixture board	2
42	BZ-BAR2-016	Plastic beam	1
43	BZ-BAR2-017	Steel item	1
44	BZ-BAR1-041	Electric cover	1
45	BZ-BAR1-042	Starter	1
46	BZ-BAR1-043	Overheat and overload protector	1
47	BZ-BAR1-044	Rubber grommet	4
48	BZ-BAR1-040	Compressor	1
49	BZ-BAR1-045	Compressor fixture item	2
50	BZ-BAR1-046	Moving board	1
51	BZ-BAR1-047	Hexagon nut	4
52	BZ-BAR1-048	Flat washer	12
53	BZ-BAR1-049	spring washer	12
54	BZ-BAR2-018	Compressor Board	1
55	BZ-BAR1-051	Filter and Drier	1
56	BZ-BAR1-052	Process tube	1
57	BZ-BAR1-053	Plastic tube	1
58	BZ-BAR1-054	Cu Tube	1
59	BZ-BAR1-055	Water box	1
60	BZ-BAR1-066	Wire clip	1
61	BZ-BAR1-056	Short wire sheaf	1
62	BZ-BAR1-057	Fan wire	1
63	BZ-BAR2-019	Fix item	1
64	BZ-BAR1-058	Temperature sensor	1
65	BZ-BAR1-059	Power Wire and Plug	1
66	BZ-BAR1-060	Screw	1
67	BZ-BAR1-061	Spring washer	1
68	BZ-BAR1-062	Flat washer	1
69	BZ-BAR1-063	Hexagon nut	1
70	BZ-BAR1-064	Long earth wire	1
71	BZ-BAR1-065	Short earth wire	1
72	BZ-BAR2-020	Front board	1



No.	Parts Code	Parts Name	QTY.
2	BZ-BAR2-001	Body	1
4	BZ-BAR2-002	Kick Plate (Front Grill)	1
5	BZ-BAR1-005	Philips screw	19
6	BZ-BAR1-006	Lamp holder	2
7	BZ-BAR1-007	Philips screw	2
8	BZ-BAR2-003	Fluorescent Lamp	1
9	BZ-BAR2-004	Lamp Cover	1
10	BZ-BAR1-010	Philips screw	56
11	BZ-BAR1-011	Plastic Clip	16
12	BZ-BAR1-012	Plastic Pilaster	8
13	BZ-BAR2/SL-001	Sliding Door Guide(Aluminum item)	2
14	BZ-BAR2/SL-002	Sliding Right glass door	1
15	BZ-BAR1-014	Key	2
16	BZ-BAR2/SL-003	Sliding Left glass door	1
17	BZ-BAR2-007	Shelf	4
18	BZ-BAR2/SL-004	Spring	2
19	BZ-BAR2/SL-005	Sliding Door Surround	1
20	BZ-BAR2-009	Inner lid	1
21	BZ-BAR1-010	Philips screw	22
22	BZ-BAR1-020	Long item	2
23	BZ-BAR1-021	Short item	2
24	BZ-BAR2-010	Inner fan board	1
25	BZ-BAR1-023	Evaporator Fan	1

26	BZ-BAR1-024	Fan lid	2
27	BZ-BAR1-025	Screw	8
28	BZ-BAR1-027	Electric thermostat Controller HD-102SB	1
29	BZ-BAR1-026	Philips screw	4
30	BZ-BAR2-011	Roll Bond Evaporator	1
31	BZ-BAR1-029	Lamp switch	1
32	BZ-BAR1-030	Plastic box for Transformer	1
33	BZ-BAR1-031	Transformer for Controller	1
34	BZ-BAR2-012	Condenser	1
35	BZ-BAR1-037	Rubber Backstop	2
36	BZ-BAR1-033	Screw	8
37	BZ-BAR2-013	Condenser box	1
38	BZ-BAR1-038	Condenser Fan	1
39	BZ-BAR1-036	Screw	12
40	BZ-BAR2-014	Back Cover	1
41	BZ-BAR2-015	Fixture board	2
42	BZ-BAR2-016	Plastic beam	1
43	BZ-BAR2-017	Steel item	1
44	BZ-BAR1-041	Electric cover	1
45	BZ-BAR1-042	Starter	1
46	BZ-BAR1-043	Overheat and overload protector	1
47	BZ-BAR1-044	Rubber grommet	4
48	BZ-BAR1-040	Compressor	1
49	BZ-BAR1-045	Compressor fixture item	2
50	BZ-BAR1-046	Moving board	1
51	BZ-BAR1-047	Hexagon nut	4
52	BZ-BAR1-048	Flat washer	12
53	BZ-BAR1-049	spring washer	12
54	BZ-BAR2-018	Compressor Board	1
55	BZ-BAR1-051	Filter and Drier	1
56	BZ-BAR1-052	Process tube	1
57	BZ-BAR1-053	Plastic tube	1
58	BZ-BAR1-054	Cu Tube	1
59	BZ-BAR1-055	Water box	1
60	BZ-BAR1-066	Wire clip	1
61	BZ-BAR1-056	Short wire sheaf	1
62	BZ-BAR1-057	Fan wire	1
63	BZ-BAR2-019	Fix item	1
64	BZ-BAR1-058	Temperature sensor	1
65	BZ-BAR1-059	Power Wire and Plug	1
66	BZ-BAR1-060	Screw	1
67	BZ-BAR1-061	Spring washer	1
68	BZ-BAR1-062	Flat washer	1
69	BZ-BAR1-063	Hexagon nut	1
70	BZ-BAR1-064	Long earth wire	1
71	BZ-BAR1-065	Short earth wire	1
72	BZ-BAR2-020	Front board	1
73	BZ-BAR2/SL-006	Door wheel	4

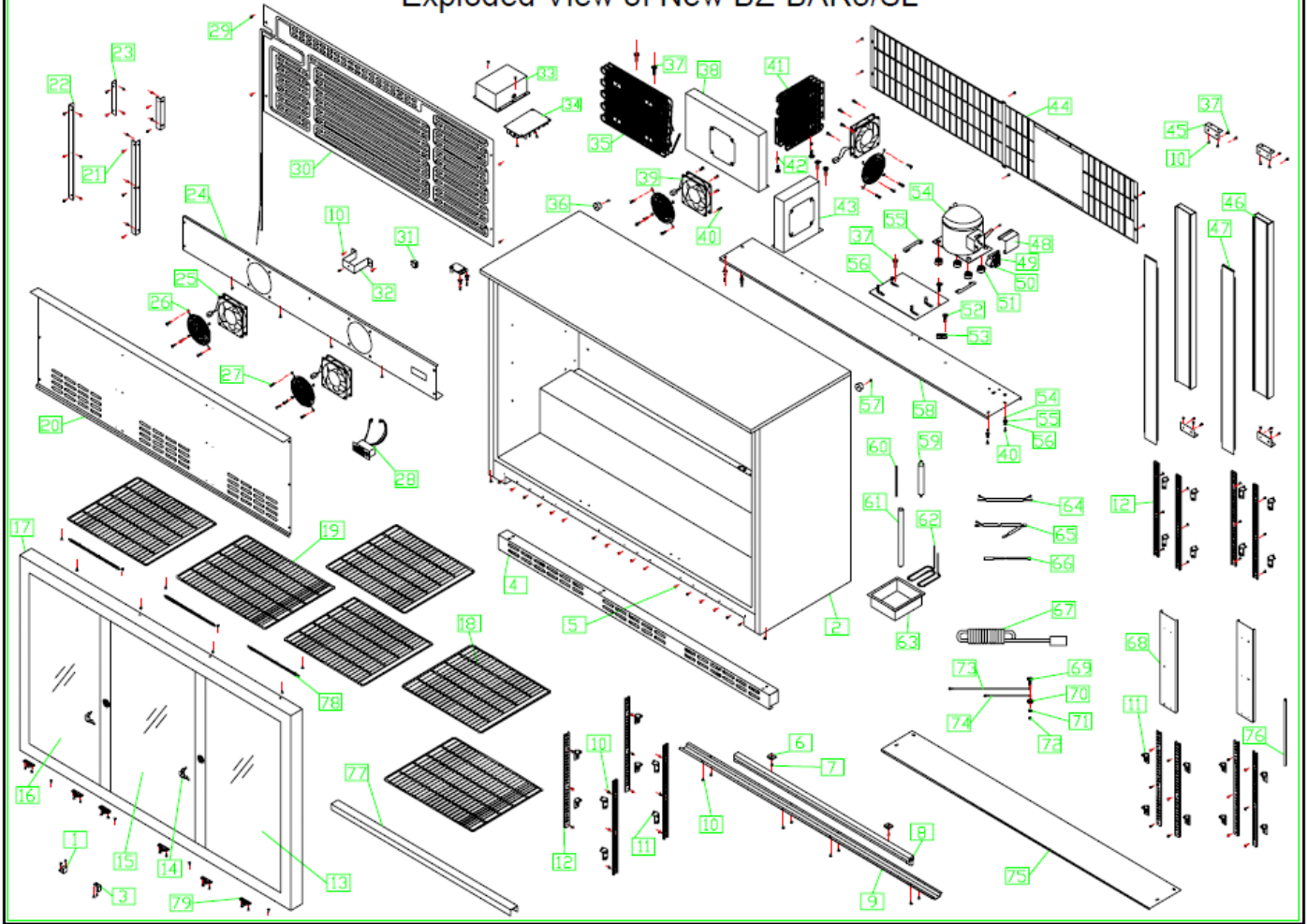
Exploded View of New BZ-BAR3



No.	Parts Code	Parts Name	QTY.
1	BZ-BAR1-001	Top hinge	3
2	BZ-BAR3-001	Cabinet	1
3	BZ-BAR1-003	Bottom hinge	3
4	BZ-BAR3-002	Kick Plate (Front Grill)	1
5	BZ-BAR1-005	Philips screw	33
6	BZ-BAR1-006	Lamp holder	2
7	BZ-BAR1-007	Philips screw	2
8	BZ-BAR3-003	Fluorescent Lamp	1
9	BZ-BAR3-004	Lamp Cover	1
10	BZ-BAR1-010	Philips screw	85
11	BZ-BAR1-011	Plastic Clip	24
12	BZ-BAR1-012	Plastic Pilaster	12
13	BZ-BAR2-005	Right glass door	1
14	BZ-BAR1-014	Key	6
15	BZ-BAR1-015	Plastic Handle	3
16	BZ-BAR2-008	Gasket for Glass Door	3
17	BZ-BAR2-006	Left glass door	2
18	BZ-BAR2-007	Shelf	4
19	BZ-BAR3-005	Middle Shelf	2
20	BZ-BAR3-006	Inner lid	1
21	BZ-BAR1-010	Philips screw	36
22	BZ-BAR1-020	Long item	2
23	BZ-BAR1-021	Short item	2
24	BZ-BAR3-007	Inner fan board	1
25	BZ-BAR1-023	Evaporator Fan	2

26	BZ-BAR1-024	Fan lid	4
27	BZ-BAR1-025	Screw	8
28	BZ-BAR1-027	Electric thermostat Controller HD-102SB	1
29	BZ-BAR1-026	Philips screw	4
30	BZ-BAR3-008	Roll Bond Evaporator	1
31	BZ-BAR1-029	Lamp switch	1
32	BZ-BAR3-009	Steel Support	1
33	BZ-BAR1-030	Plastic box for Transformer	1
34	BZ-BAR1-031	Transformer for Controller	1
35	BZ-BAR2-012	Condenser	1
36	BZ-BAR1-037	Rubber Backstop	2
37	BZ-BAR1-033	Screw	14
38	BZ-BAR2-013	Condenser box	1
39	BZ-BAR1-038	Condenser Fan	2
40	BZ-BAR1-036	Screw	20
41	BZ-BAR1-034	Condenser	1
42	BZ-BAR1-063	Hexagon nut	2
43	BZ-BAR1-035	Condenser box	1
44	BZ-BAR3-010	Back Cover	1
45	BZ-BAR2-015	Fixture board	4
46	BZ-BAR2-016	Plastic beam	2
47	BZ-BAR2-017	Steel item	2
48	BZ-BAR3-011	GVY75AA Electric cover	1
49	BZ-BAR3-012	GVY75AA Starter	1
50	BZ-BAR3-013	GVY75AA Overheat and overload protector	1
51	BZ-BAR1-044	Rubber grommet	4
52	BZ-BAR1-060	Screw	2
53	BZ-BAR1-066	Wire clip	1
54	BZ-BAR3-014	GVY75AA Compressor	1
55	BZ-BAR1-045	Compressor fixture item	2
56	BZ-BAR1-046	Moving board	1
57	BZ-BAR1-026	Philips screw	2
58	BZ-BAR3-015	Compressor Board	1
59	BZ-BAR1-051	Filter and Drier	1
60	BZ-BAR1-052	Process tube	1
61	BZ-BAR1-054	Cu Tube	1
62	BZ-BAR1-053	Plastic tube	1
63	BZ-BAR1-055	Water box	1
64	BZ-BAR1-056	Short wire sheaf	1
65	BZ-BAR1-057	Fan wire	1
66	BZ-BAR1-058	Temperature sensor	1
67	BZ-BAR1-059	Power Wire and Plug	1
68	BZ-BAR2-019	Fix item	2
69	BZ-BAR1-060	Screw	1
70	BZ-BAR1-061	Spring washer	1
71	BZ-BAR1-062	Flat washer	1
72	BZ-BAR1-063	Hexagon nut	1
73	BZ-BAR1-064	Long earth wire	1
74	BZ-BAR1-065	Short earth wire	1
75	BZ-BAR3-016	Front board	1
76	BZ-BAR3-017	Cu Connect tube	1

Exploded View of New BZ-BAR3/SL



No.	Parts Code	Parts Name	QTY.
1	BZ-BAR3/SL-001	Top Backstop	1
2	BZ-BAR3-001	Cabinet	1
3	BZ-BAR3/SL-002	Bottom Backstop	1
4	BZ-BAR3-002	Kick Plate (Front Grill)	1
5	BZ-BAR1-005	Philips screw	33
6	BZ-BAR1-006	Lamp holder	2
7	BZ-BAR1-007	Philips screw	2
8	BZ-BAR3-003	Fluorescent Lamp	1
9	BZ-BAR3-004	Lamp Cover	1
10	BZ-BAR1-010	Philips screw	85
11	BZ-BAR1-011	Plastic Clip	24
12	BZ-BAR1-012	Plastic Pilaster	12
13	BZ-BAR3/SL-003	Sliding Right glass door	1
14	BZ-BAR1-014	Key	4
15	BZ-BAR3/SL-004	Sliding Middle glass door	1
16	BZ-BAR3/SL-005	Sliding Left glass door	1
17	BZ-BAR3/SL-006	Sliding Door Surround	1
18	BZ-BAR2-007	Shelf	4
19	BZ-BAR3-005	Middle Shelf	2
20	BZ-BAR3-006	Inner lid	1
21	BZ-BAR1-010	Philips screw	36
22	BZ-BAR1-020	Long item	2
23	BZ-BAR1-021	Short item	2
24	BZ-BAR3-007	Inner fan board	1
25	BZ-BAR1-023	Evaporator Fan	2
26	BZ-BAR1-024	Fan lid	4

27	BZ-BAR1-025	Screw	8
28	BZ-BAR1-027	Electric thermostat Controller HD-102SB	1
29	BZ-BAR1-026	Philips screw	4
30	BZ-BAR3-008	Roll Bond Evaporator	1
31	BZ-BAR1-029	Lamp switch	1
32	BZ-BAR3-009	Steel Support	1
33	BZ-BAR1-030	Plastic box for Transformer	1
34	BZ-BAR1-031	Transformer for Controller	1
35	BZ-BAR2-012	Condenser	1
36	BZ-BAR1-037	Rubber Backstop	2
37	BZ-BAR1-033	Screw	14
38	BZ-BAR2-013	Condenser box	1
39	BZ-BAR1-038	Condenser Fan	2
40	BZ-BAR1-036	Screw	20
41	BZ-BAR1-034	Condenser	1
42	BZ-BAR1-063	Hexagon nut	2
43	BZ-BAR1-035	Condenser box	1
44	BZ-BAR3-010	Back Cover	1
45	BZ-BAR2-015	Fixture board	4
46	BZ-BAR2-016	Plastic beam	2
47	BZ-BAR2-017	Steel item	2
48	BZ-BAR3-011	Electric cover	1
49	BZ-BAR3-012	Starter	1
50	BZ-BAR3-013	Overheat and overload protector	1
51	BZ-BAR1-044	Rubber grommet	4
52	BZ-BAR1-060	Screw	2
53	BZ-BAR1-066	Wire clip	1
54	BZ-BAR3-014	Compressor	1
55	BZ-BAR1-045	Compressor fixture item	2
56	BZ-BAR1-046	Moving board	1
57	BZ-BAR1-026	Philips screw	2
58	BZ-BAR3-015	Compressor Board	1
59	BZ-BAR1-051	Filter and Drier	1
60	BZ-BAR1-052	Process tube	1
61	BZ-BAR1-054	Cu Tube	1
62	BZ-BAR1-053	Plastic tube	1
63	BZ-BAR1-055	Water box	1
64	BZ-BAR1-056	Short wire sheaf	1
65	BZ-BAR1-057	Fan wire	1
66	BZ-BAR1-058	Temperature sensor	1
67	BZ-BAR1-059	Power Wire and Plug	1
68	BZ-BAR2-019	Fix item	2
69	BZ-BAR1-060	Screw	1
70	BZ-BAR1-061	Spring washer	1
71	BZ-BAR1-062	Flat washer	1
72	BZ-BAR1-063	Hexagon nut	1
73	BZ-BAR1-064	Long earth wire	1
74	BZ-BAR1-065	Short earth wire	1
75	BZ-BAR3-016	Front board	1
76	BZ-BAR3-017	Cu Connect tube	1
77	BZ-BAR3/SL-007	Sliding Door Guide(Aluminum item)	2
78	BZ-BAR2/SL-004	Spring	3
79	BZ-BAR2/SL-006	Door wheel	6