



GAS GRILLS



MODELS and ACCESSORIES

G3212 - Grill

G3532 - Grill

- Floor stand
- Stainless steel legs
- Wall bracket
- Grid shelf / brander carrier
- Additional brander

KEY FEATURES

- High performance burner systems
 - ideal for flashing and finishing
- Variable heat settings
 - save energy when full heat is not required
- Supplied with reversible brander
 - extends cooking versatility
- Five position shelf runners
 - allows flexible cooking options
- Gastronorm compatible
 - perfect for bulk products
- Oil collection tray mounted upon grid shelf
 - catches any liquid grease from brander cooking
- Removable drip tray
 - catches debris and grease during grilling
- All stainless steel exterior, cast iron chamber linings
 - easy to clean, long lasting and robust
- Three mounting options available
 - wall bracket, legs and grill stand

INSTALLATION NOTES

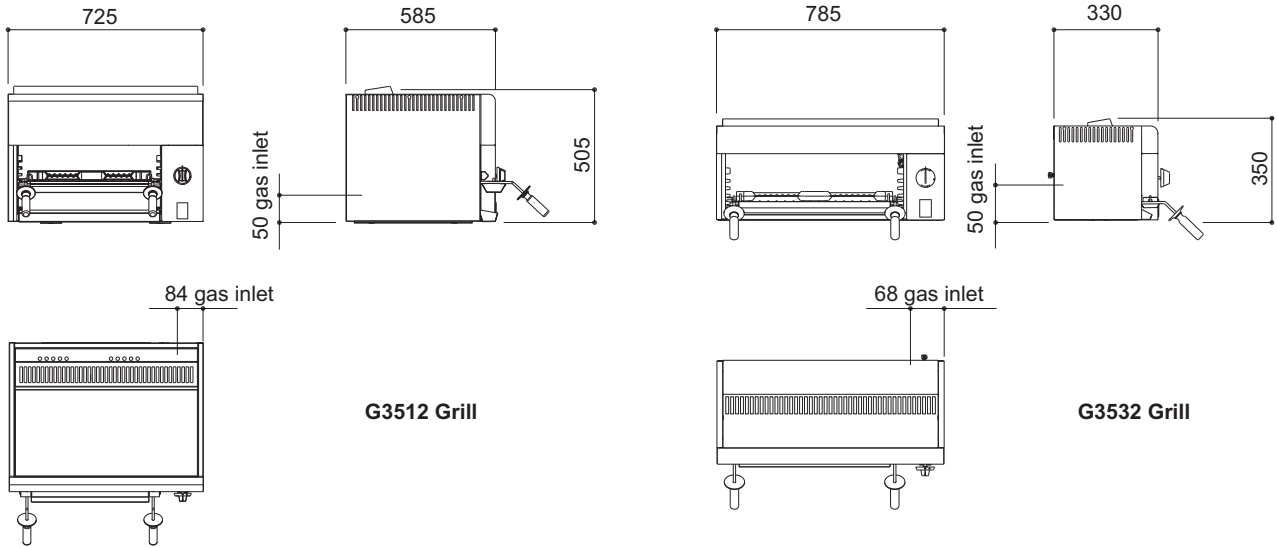
Adequate ventilation must be provided to supply sufficient fresh air and to allow easy removal of any such products that may present a risk to health. Please consult current legislation for details that relate to specific locations.

A clearance of 150mm should be observed between appliance and any combustible wall.





MODEL DIMENSIONS (in mm)



SPECIFICATION DETAILS

| | G3512 | G3532 |
|-----------------------------------------------------|--------------|--------------|
| Total rating (natural and propane - kW - Nett) | 8.55 | 6.65 |
| Total rating (natural and propane - btu/hr - gross) | 32,100 | 25,000 |
| Inlet size (natural and propane) | 1/2" BSP | 1/2" BSP |
| Flow rate - natural (m ³ /hr) | 0.90 | 0.70 |
| Flow rate - propane (kg/hr) | 0.66 | 0.52 |
| Inlet pressure (natural and propane - mbar) | 20 / 37 | 20 / 37 |
| Operating pressure (natural and propane - mbar) | 15 / 37 | 15 / 37 |
| Brander (w x d - mm) | 450 x 410 | 540 x 275 |
| Gastronorm compatibility | 1/1 | n/a |
| Bench leg height (mm) | 308 | 300 |
| Stand height (mm) | 1090 | 1060 |
| Weight (kg) | 60 | 33 |
| Packed weight (kg) | 64 | 37 |