



E3481 / E3481R ELECTRIC GRIDDLES



E3481

KEY FEATURES

- 18mm highly polished steel griddle plate
 - Provides consistent, even heat
- Temperature range of 80 - 290°C
 - A wide range of food items can be prepared
- Thermostatically controlled
 - Reduces energy consumption, improved operation
- Full height surround
 - Protects surrounding areas
- Integral, large capacity grease jug
 - Retains grease for quick and easy cleaning
- Supplied on adjustable feet
 - Variable working height
- Laser-etched control icons
 - Permanent, indelible markings

MODELS and ACCESSORIES

E3481 - Polished steel griddle

E3481R - Polished steel griddle - half ribbed

- Stand with storage shelf with legs
- Stand with factory fitted, adjustable castors
- Fixed installation kit for stand
- Suiting kit

INSTALLATION NOTES

Adequate ventilation must be provided to supply sufficient fresh air and to allow easy removal of any such products that may present a risk to health. Please consult current legislation for details that relate to specific locations.

Install unit on a level, fireproof surface in a well-lit position. If floor is made of a combustible material, local fire requirements must be checked to ensure compliance.

A clearance of 150mm should be observed between appliance and any combustible wall.

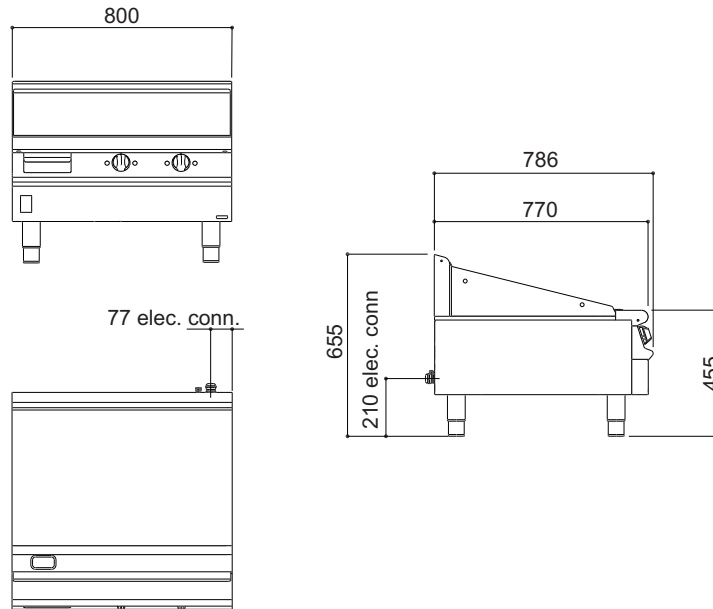




DOMINATOR PLUS

E3481 / E3481R ELECTRIC GRIDDLES

MODEL DIMENSIONS (in mm)



SPECIFICATION DETAILS

	E3481/E3481R
Electrical rating (kW)	6.88
Electrical supply voltage	400V 2N~ / 230V~
Required electrical supply 230V (amps)	20 / 32
Required electrical supply 400V 2N~ (amps)	20
Electrical current split (amps)	L1: 14.97 / L2: 14.97
Weight (kg)	98
Packed weight (kg)	101