

Exploded diagram and spare parts list

DN587

For Exploded View of Main Machine

[Click here](#)

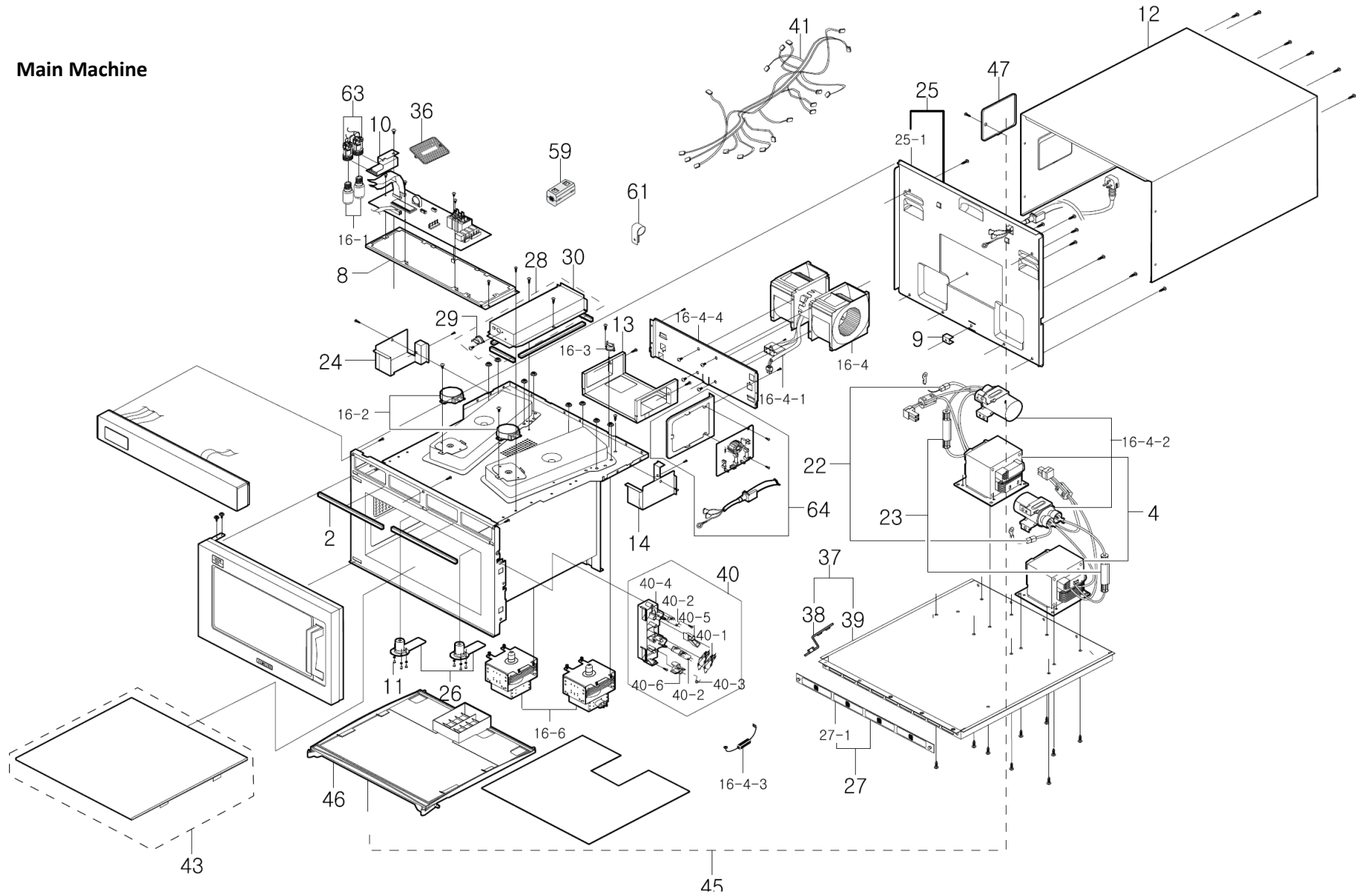
For Exploded View of Door Assy

[Click here](#)

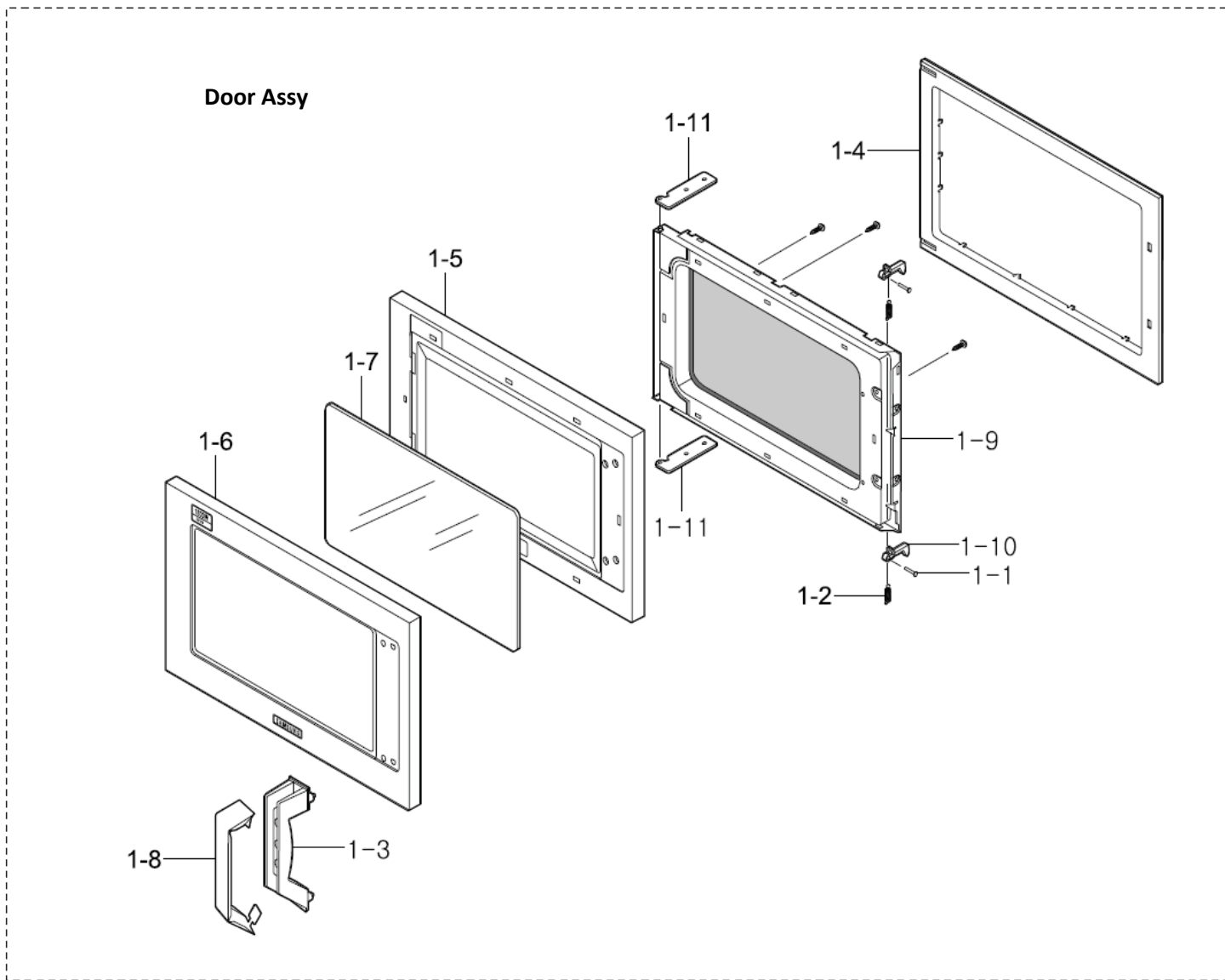
For Exploded View of Control Box Assy

[Click here](#)

Main Machine



No.	Part code		Description
2	DE01-00095A		FILM-LAMP; PET,PET,84,T0.15,114,CM-1819,H
4	DE26-00058B	✓	TRANS H.V; SHV-906EG2,240V,50Hz,2460V/3.4
8	DE61-50520A		BRACKET-PCB; EGI-SECC,T0.8,CM-1819
9	DE61-50541A		BRACKET-EARTH; GI-SGCC,T1.0,W15,L8
10	DE61-90318A		HOLDER-LAMP; W134,EGI-SECC,W134,L40.5,L40
11	DE69-90054A	✓	CLIP-STIRRER; 5mm,TEFLON-PFA,CM1819/29
12	DE70-30123A		PANEL-OUTER; STAINLESS-ST5430,T0.6,CM-181
13	DE72-50088A		DUCT-FAN; CM-1819,ALCOT,T0.5
14	DE72-50089A		DUCT-MGT/R; CM-1819,EGI-SECC,T0.5
16-1	4713-000168	✓	LAMP-INCANDESCENT; 230V,25W,ORG
16-2	DE31-10164B		MOTOR SYNCHRONOUS; M2CK34A709-H(B),120V60
16-3	DE47-20017A		THERMOSTAT; NT-101,125/250V,1505,6015
16-4	DE91-50093R	✓	ASSY MOTOR FAN; CM1619/1629,-,240V,-,COMM
16-4-1	2301-001375		C-FILM,LEAD-OTHER; 1500nF,+10-5%,450V,BK,
16-4-2	2501-001282	✓	C-OIL; 1.00uF,2100V(CLASS P),AL CAN TYPE,
16-4-3	DE59-00002A		DIODE-H.V; MWO ALL,2CL4512H,-,450Ma 13KV,
16-4-4	DE61-30189A		SUPPORT-FAN-MOUNT; EGI-SECC,T1.0,CM-1819
16-6	OM75P-20-ESRN		MGT; MGT
22	0402-000137		DIODE-RECTIFIER; 1N4007,1000V,1A,DO-41,TP
23	DE91-70061A	✓	ASSY H.V.FUSE; -,THV060T-0800-H,5KV/0.80A
24	DE72-50090A		DUCT-MGT/L; CM-1819,EGI-SECC,T0.5
25	DE92-90514A		ASSY-BACK COVER; CM-1819,-,CM-1829,
25-1	DE71-60421A		COVER-BACK; EGI-SECC,T0.6,W481.8,L363.9,C
26	DE92-90515A	✓	ASSY STIRRER; CM-1819/CM-1829,-
27	DE92-90516B		ASSY BRACKET-FILTER; CM1819,-,-,-
27-1	DE61-50521B		BRACKET-FILTER; CM1819,STAINLESS-ST5430,T
28	DE92-90519A		ASSY DUCT-AIR; CM1819/29,-,-,CM1819/29
29	DE47-20169A		THERMOSTAT; NT-101,125/250V,1005,6015
30	DE72-50091A		DUCT-OVEN; CM-1819,STAINLESS-ST5430,T0.4
36	DE92-90533A		ASSY-LAMP HOLDER; CM1819/CM1829,-,-
37	DE93-10106C		ASSY BASE PLATE; CM1819,SECC,-,-
38	DE61-50546A		BRACKET-BASE; EGI-SECC,T1.0,W25,L34
39	DE80-10113C		BASE-PLATE; CM1819,EGI-SECC,T1.0
40	DE93-20097E	✓	ASSY BODY LATCH; CM1819/1829,EUROPE
40-1	3405-001034		SWITCH-MICRO; 125/250VAC,16A,200gf,SPST-N
40-2	3405-001032	✓	SWITCH-MICRO; 125/250VAC,16A,200GF,SPDT
40-3	DE61-00066A		SPRING-Q; CM1819/1829,MSWR-SWRM,PI0.8
40-4	DE66-40062A	✓	LATCH-BODY; CM-1819,PBT,-,-,-,-
40-5	DE66-90107A	✓	LEVER-SWITCH(U); -,PBT,CM-1819,-,-,-,-
40-6	DE66-90108A	✓	LEVER-SWITCH(L); -,PBT,CM-1819,-,-,-,-
41	DE96-00503A	✓	ASSY WIRE HARNESS-A; CM1929,230V/50HZ,VI
43	DE97-00319B	✓	ASSY-TRAY CERAMIC; CM1929A/XEU,MWO-COMMER
45	DE97-00562A	✓	ASSY COVER PANEL; CM1019,PP+SGL,-,-
46	DE63-00315A		COVER-STIRRER; CM1019,PP,NATUAL
47	DE63-00324A		COVER-CEILING; CM1019,MICA SHEET,T1.0,W23
49	DE94-02838A		ASSY ACCESSORY PARTS; CM1519-1/XEU,0.9 CU
50	DE94-02839A		ASSY MECHANICAL PARTS; CM1519-1/XEU,0.9 C
51	DE94-02840A		ASSY ELECTRICAL PARTS; CM1519-1/XEU,0.9CU
52	DE98-01223A		ASSY PACKING PARTS; CM1519-1/XEU,0.9 CU.F
53	DE69-00909A		PAD SHEET; ALL MODEL CMO,HDPE,T0.03,W400,
54	DE98-01224A		ASSY PRINTING PARTS; 0.9CU.FT,CM1529-1/XE
55	DE60-20014A		BOLT-FLANGE; MSWR-SWRM,L10,FEFZY,M5,FEFZY
56	DE60-30015A		NUT-FLANGE; MSWR-SWRM,P0.8,FEFZY
57	DE61-50538A		BRACKET-PLATE; EGI-SECC,T1.0
58	DE72-50087A		DUCT-EXHAUST; ALCOT,T0.6
59	DE73-90027A		FERRITE-CORE; T13.8,NI-ZN,BNF-14(K150),L2
61	6502-001056		CABLE CLAMP; DAWH-2NC,ID18.5,NYLON6/6,NTR
62	DE02-00168A		TAPE ETC; OPP,-,W72,L1000,TRANSPARENT
63	DE47-40029A		SOCKET-LAMP; 250V2A,-,-,22.23,E14,-,-,-,-
64	DE94-03068A	✓	ASSY HOLDER; CM1929

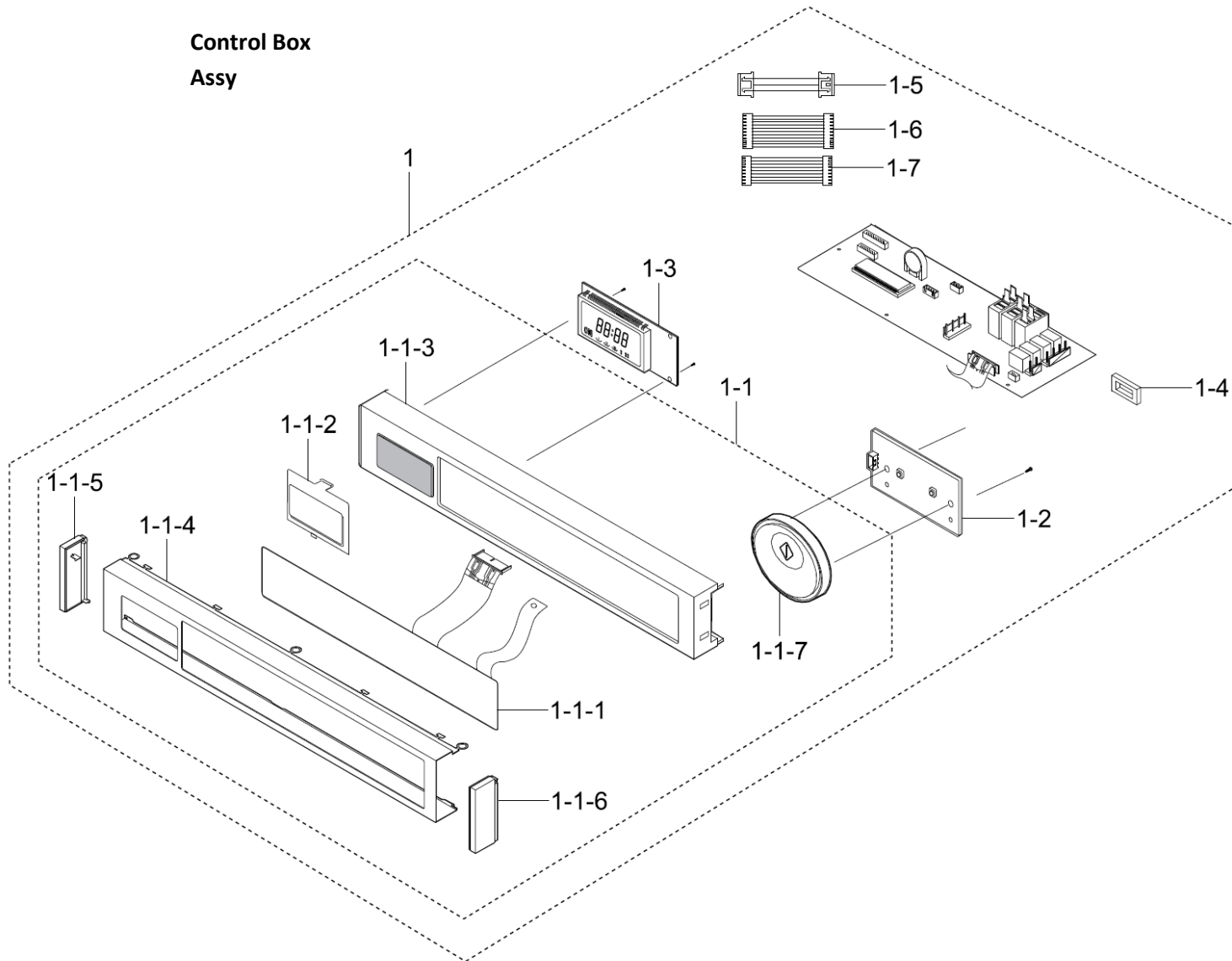


Exploded diagram and spare parts list

DN587

No.	Part code		Description
1	DE94-02846A	✓	ASSY DOOR; CM1529-1/XEU,0.9 CU.FT
1-1	DE60-60080A		PIN-KEY; STAINLESS-ST304,L21
1-2	DE61-70144A		SPRING-KEY; HSWR-SWRH,PI1.0,OD6.5,L32.8,2
1-3	DE64-20123A		HANDLE; CM-1819,ZN,-,-,-,CM-1819,-
1-4	DE64-40298A	✓	DOOR-C; -,PP,-,-,-,-,-
1-5	DE64-90145A		DECORATION DOOR; CM-1819,ABS,-,GE BLACK,K
1-6	DE64-90146A		DECORATION COVER DOOR; STAINLESS-ST304,C
1-7	DE67-20174X		SCREEN-DOOR(B); CM1529-1/XEU,GLASS,T3.2,3
1-8	DE71-60433A		HINGE; EGI-SECC,T3.0,W24.5,L29.5
1-9	DE92-50132B		ASSY DOOR E; CM-1819,-,BLK,COATING
1-10	DE64-40296B	✓	DOOR-KEY; CMO COMMERCIAL,CR3C + ZINC DIEC
1-11	DE61-80138A		HINGE; EGI-SECC,T3.0,W24.5,L29.5

**Control Box
Assy**



Exploded diagram and spare parts list

DN587

No.	Part code		Description
1	DE94-02182H		ASSY CONTROL BOX; CM1529-1/XEU,0.9 CU.FT
1-1	DE94-02847A	✓	ASSY CONTROL PANEL; CM1529-1/XEU,0.9CU.FT
1-1-1	DE34-00158C	✓	SWITCH MEMBRANE; CM1529-1/XEU,PET,230V 50
1-1-2	DE67-40161B		WINDOW-DISPLAY; CM1929,PMMA,SMOG
1-1-3	DE70-30125A		PANEL-BASE; ABS,TC,CM-1829
1-1-4	DE71-60426A		COVER PANEL; STAINLESS-ST5430,T0.5,-,-
1-1-5	DE71-60428B		COVER-PANEL(L/L); CM1019,ABS,-,-,-,-,-,-,
1-1-6	DE71-60429B		COVER-PANEL(L/R); CM1019,ABS,-,-,-,-,-,-,
1-1-7	DE66-20212D		BUTTON-START; CM1529-1/XEU,ABS,0.9 CU.FT
1-2	DE61-00808A		GUIDE-START-BUTTON; CM1019,PP,COMMERCIAL
1-3	DE92-03495D	✓	ASSY PCB MAIN; EUP / RCS-SMS2CM-22,CM1629
1-4	DE63-00634A		CUSHION-PCB; HEAVY-COMMERCIAL MWO,PU FOAM
1-5	DE39-40113B		WIRE HARNESS-F; 50/60HZ,-,-,-,-,-,-,-,-
1-6	DE39-40692A		WIRE HARNESS-B; 11PIN,-,-,CM1819/29,-,-,-
1-7	DE39-40694A		WIRE HARNESS-C; 9PIN,-,-,-,-,-,-,-,-,-

