



FOOD MIXER BE-30I 230/50-60/1

Floorstanding unit with 30 lt./ 30 qt. bowl.



P/N 1500282



FEATURES AND BENEFITS

Professional food mixer for preparing dough (bread, cake...), egg whites (soufflés, meringue...), sauces (mayonnaise...) and minced meat mixtures.

- ✓ Powerful three-phase motor controlled by highly reliable electronic speed variator technology, which enables the mixers to be connected to a single-phase electrical mains supply.
- ✓ 0-30 minute electronic timer and continuous operation option.
- ✓ Acoustic alarm at end of cycle.
- ✓ Electronic speed control.
- ✓ Equipped with a safety guard.
- ✓ Lever operated bowl lift.
- ✓ Double micro switch for bowl position and safety guard.
- ✓ Safeties off indicator.
- ✓ Reinforced waterproofing system.
- ✓ Stainless steel legs.
- ✓ Strong and resistant bowl.
- ✓ Easy to maintain and repair.

SALES DESCRIPTION

C models, equipped with attachment drive for accessories.

I models with stainless steel column.

INCLUDES

- ✓ Stainless steel bowl.
- ✓ Beater spatula for soft dough.
- ✓ Stainless steel column.
- ✓ Balloon whisk.
- ✓ Spiral Hook for heavy dough.

DYNAMIC PREPARATION
PLANETARY MIXERS



SAMMIC, S.L.
Basiglio, 1 - 20720 ASKOFITTA
www.sammic.com

www.sammic.co.uk

Food Service Equipment Manufacturer

Unit 2, Trevanah Road
Troon Industrial Park
LE4 9LS - Leicester

uksales@sammic.com
Tel.: +44 0116 246 1900



Project

Date

Item

Qty

Approved

product sheet
updated 07/05/2018





FOOD MIXER BE-30I 230/50-60/1

Floorstanding unit with 30 lt./ 30 qt. bowl.



P/N 1500282

SPECIFICATIONS

Bowl capacity: 30 l
 Capacity in flour (60% water): 9 Kg
 Timer (min-max): 0 ' - 30 '
 Electrical supply: 230 V/ 50-60 Hz/1 ~ (-- A)
 Plug : --

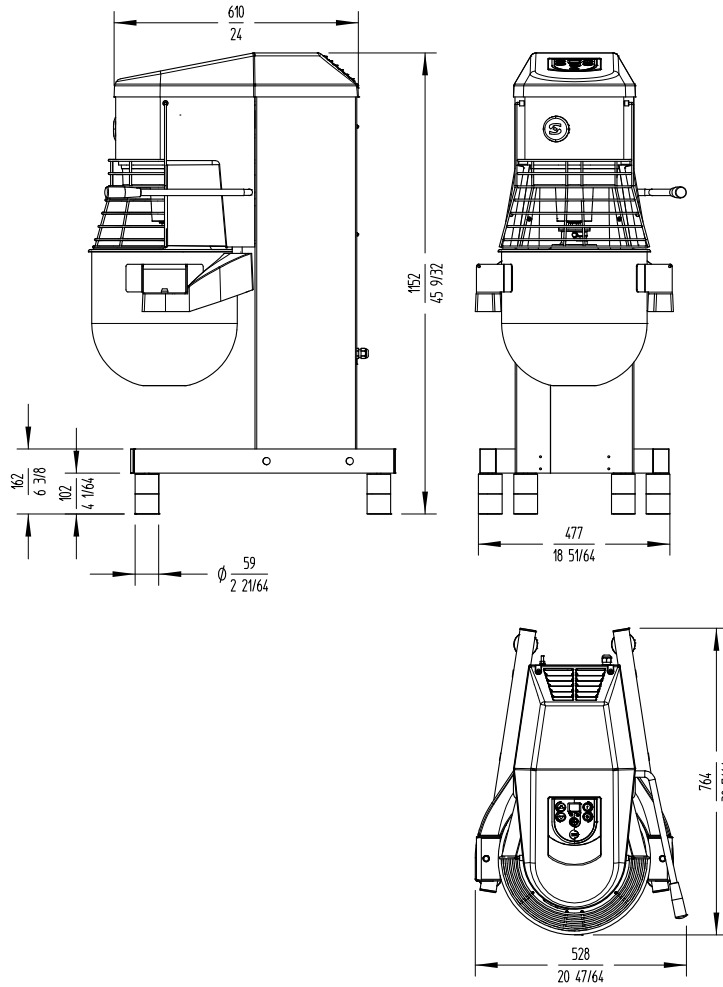
External dimensions (WxDxH)

✓ Width: 528 mm
 ✓ Depth: 764 mm
 ✓ Height: 1152 mm

Net weight: 89.2 Kg

Crated dimensions

600 x 820 x 1200 mm
 Gross weight: 110.5 Kg.



ACCESSORIES

- Vegetable preparation attachment CR-143
- Meat mincer attachment HM-71
- Potato masher attachment P-132
- Bowls for planetary mixers
- Reduction equipments
- Bowl transport trolleys
- Base kit with wheels



www.sammic.co.uk

Food Service Equipment Manufacturer

Unit 2, Trevanth Road
 Troon Industrial Park
 LE4 9LS - Leicester

uksales@sammic.com
 Tel.: +44 0116 246 1900



Project

Date

Item

Qty

Approved