



INSTRUCTION REF: IN100
ISSUE No. 2
DATE 2.01.08
Page 1 of 17

TELEPHONE:
FAX:

SERVICE (44) 01332 875665
SERVICE (44) 01332 875536

INSTRUCTIONS

MODEL: AWB3 & AWB6 WATER BOILER

SAFETY INSTRUCTIONS

TECHNICAL DATA

INSTALLATION INSTRUCTIONS

OPERATION INSTRUCTIONS

MAINTENANCE INSTRUCTIONS

EXPLODED VIEW / PARTS LIST

FAULT DIAGNOSTICS

WIRING DIAGRAM

WARRANTY INFORMATION

DISPOSAL INFORMATION

Customer Information

MODEL NUMBER: _____
SERIAL NUMBER: _____
PURCHASE DATE: _____
DISTRIBUTOR: _____



INSTRUCTION REF: IN100
ISSUE No. 2
DATE 2.01.08
Page 2 of 17

TELEPHONE: SERVICE (44) 01332 875665
FAX: SERVICE (44) 01332 875536

SAFETY INSTRUCTIONS

IMPORTANT, PLEASE READ INSTRUCTIONS FULLY BEFORE USE

This appliance has been designed to heat water and therefore during its use parts of the appliance will become very hot. All personnel must be given sufficient supervision and training in the safe use of this appliance.

Caution should be taken when using this appliance due boiling water being present.

ALL APPLIANCES OTHER THAN THOSE FITTED WITH A SEALED MOULDED PLUG MUST BE FITTED BY A QUALIFIED ELECTRICIAN, IN ACCORDANCE WITH CURRENT REGULATIONS.

The unit should be installed in compliance with the **INSTALLATION INSTRUCTIONS** and the **NATIONAL REGULATIONS** in force at the time. Particular attention should be paid to the **Health and Safety at Work Act**.

To prevent shocks, all appliances whether gas or electric, must be earthed.

To avoid scratching the highly polished exterior surface of this equipment whilst in transit, the protective film on the exterior surfaces has **NOT** been removed.

It is **IMPORTANT** that this protective film is peeled off before the equipment is used.

ENSURE THE APPLIANCE IS ISOLATED FROM THE POWER SUPPLY BEFORE INSTALLING, CLEANING OR MAINTAINING THE APPLIANCE

MODEL AWB3 & AWB6

This product has been designed, constructed and marketed in compliance with safety requirements of :

EEC Directive "Low voltage" 73/23;
EEC Directive 93/68.

This product is suitable for contact with foodstuffs, and complies with **EEC Directive 89/109.**



INSTRUCTION REF: IN100
ISSUE No. 2
DATE 2.01.08
Page 3 of 17

TELEPHONE: SERVICE (44) 01332 875665
FAX: SERVICE (44) 01332 875536

The product(s) stated above are designed and built to comply with the following standards:

BS EN 60335-1
WRAS Approved

GENERAL INFORMATION

Installation of water boilers must comply with the requirements of the water supply (water fittings) regulations 1999.S/1999 No. 1148 and incorporating amendment s/1999 No. 1506.

These machines are fully automatic and must be plumbed into the mains supply by a QUALIFIED PLUMBER.

Hard water will reduce the life span of your water boiler through build up of scale inside the tank and on the element.

Parry Group Ltd strongly recommend the introduction of a water softener in hard water areas.

TECHNICAL DATA

AWB3

Nominal Voltage: 240 V ~ 50 Hz
Nominal Current: 12.5Amps
Nominal Wattage: 3 kW
Min / Max water pressure: 1 – 10 Bar
Water Capacity: 11.5 litres
Dimensions (mm): 260 w X 505 d X 614 h
Weight: 12 kg

AWB6

Nominal Voltage: Single Phase 240 V ~ 50 Hz
Nominal Current: 25Amps
Nominal Wattage: 6 kW
Unit must be hard wired to suitable isolator / spur
Min / Max water pressure: 1 – 10 Bar
Water Capacity: 14.6 litres
Dimensions (mm): 315 w X 505 d X 614 h
Weight: 14 kg

Parry Group Limited, Town End Road, Draycott, Derby, England DE72 3PT
www.parry.co.uk



INSTRUCTION REF: IN100
ISSUE No. 2
DATE 2.01.08
Page 4 of 17

TELEPHONE: SERVICE (44) 01332 875665
FAX: SERVICE (44) 01332 875536

INSTALLATION INSTRUCTIONS

ELECTRICAL INSTALLATION

ALL APPLIANCES OTHER THAN THOSE FITTED WITH A SEALED MOULDED PLUG MUST BE FITTED BY A QUALIFIED ELECTRICIAN, IN ACCORDANCE WITH CURRENT REGULATIONS.

AWB3 - Plug the appliance in to a 13amp socket.

AWB6 - This appliance will need installing by a qualified electrician.

WATER INSTALLATION

IMPORTANT NOTICE

Hard water can shorten the life of your appliance through the build up of lime scale in the tank and around the heating element.

Parry Group Ltd strongly recommend that you use a food quality water softener or scale reducer.

Provide a water stop cock next the appliance.

Water Inlet

The appliance is fitted with $\frac{3}{4}$ BSP water connection and connect using hose supplied.

If fitting a different hose to the one supplied please use food grade quality hose. Failure to use food grade quality hose will cause a bad taste or contaminate the water.



INSTRUCTION REF: IN100
ISSUE No. 2
DATE 2.01.08
Page 5 of 17

TELEPHONE: SERVICE (44) 01332 875665
FAX: SERVICE (44) 01332 875536

Overflow

The appliance is fitted with a $\frac{3}{4}$ BSP fitting for the overflow.
To prevent the possibility of flooding in the event of component failure, Parry Group Ltd strongly recommend that the overflow be plumbed to a suitable drain.

During operation there will be an occasional small discharge of steam and condensation from the overflow connecting the overflow will eliminate any inconvenience caused by this.

Parry Group Ltd cannot be held responsible for any problems arising as a result of failure to fit a suitable overflow hose.

**Under no circumstances should the overflow be blocked or capped off.
This will invalidate your Guarantee.**

OPERATING INSTRUCTIONS

FOR FITTING INSTRUCTIONS SEE INSTALLATION SECTION.

OPERATION

Upon the completion of installation, turn on the water supply and the electrical supply.

Turn on the power switch located at the front of the appliance.

The indicator lamp will cycle through a series of colours for 4 seconds whilst the unit does a self diagnostics check.

The indicator lamp will glow yellow to show that the appliance is filling to the low level sensor.

When the water level is reached the indicator lamp will then glow blue, to indicate that the heating cycle has commenced.



INSTRUCTION REF: IN100
ISSUE No. 2
DATE 2.01.08
Page 6 of 17

TELEPHONE: SERVICE (44) 01332 875665
FAX: SERVICE (44) 01332 875536

As the temperature of water increases the indicator lamp will slowly change colour from blue through to red. On first installation, please wait for approximately 25 minutes before use as this will allow the appliance to fill completely and be at full working temperature.

Please note the appliance does not completely fill at once it is controlled electronically.

Place cup or container under the tap and pull the lever towards you to dispense hot water.

If the indicator light shows different colours to those described above then please refer to fault diagnostics on page 10 & 11 of this instruction booklet.

CLEANING AND MAINTENANCE

ENSURE THE APPLIANCE IS ISOLATED FROM THE POWER SUPPLY BEFORE INSTALLING, CLEANING OR MAINTAINING THE APPLIANCE

Ensure that the appliance has cooled sufficiently.

Cleaning should be carried every day. Clean the external surfaces of the appliance with a damp cloth. Avoid using abrasive materials.

CAUTION: Never clean the appliance with water jets.

Appliance should be annually P.A.T (Portable Appliance Testing) tested for continued electrical safety.

DE-SCALING

Your appliance should be periodically checked for scale build up. The frequency depends upon the hardness of the water, the throughput and whether or not an effective water softener or scale reducer is fitted.

Disconnect the appliance from water and electrical supply.

Lift off the top lid and unscrew the four screws holding down the tank cover.

Remove the two inner stainless steel trays.

Parry Group Limited, Town End Road, Draycott, Derby, England DE72 3PT
www.parry.co.uk



INSTRUCTION REF: IN100
ISSUE No. 2
DATE 2.01.08
Page 7 of 17

TELEPHONE: SERVICE (44) 01332 875665
FAX: SERVICE (44) 01332 875536

Drain water from the tank.

It is important that the two sensors and their holders are free from scale.

Remove loose scale by hand and hard scale by use of suitable de-scaling powder or liquid. Please refer to the guidelines of the de-scaling product for correct use.

Rinse the tank thoroughly with water to ensure that all of the de-scaling product is removed before use.

Replace inner trays and tank cover, secure with the four screws and replace the lid.

MAINTENANCE INSTRUCTIONS

MAINTENANCE AND SERVICE MUST ONLY BE UNDERTAKEN BY A QUALIFIED ELECTRICIAN / ENGINEER

IF THE SUPPLY CORD BECOMES DAMAGED, IT MUST BE REPLACED BY THE MANUFACTURER, ITS SERVICE AGENT OR SIMILARLY QUALIFIED PERSONS IN ORDER TO AVOID A HAZARD

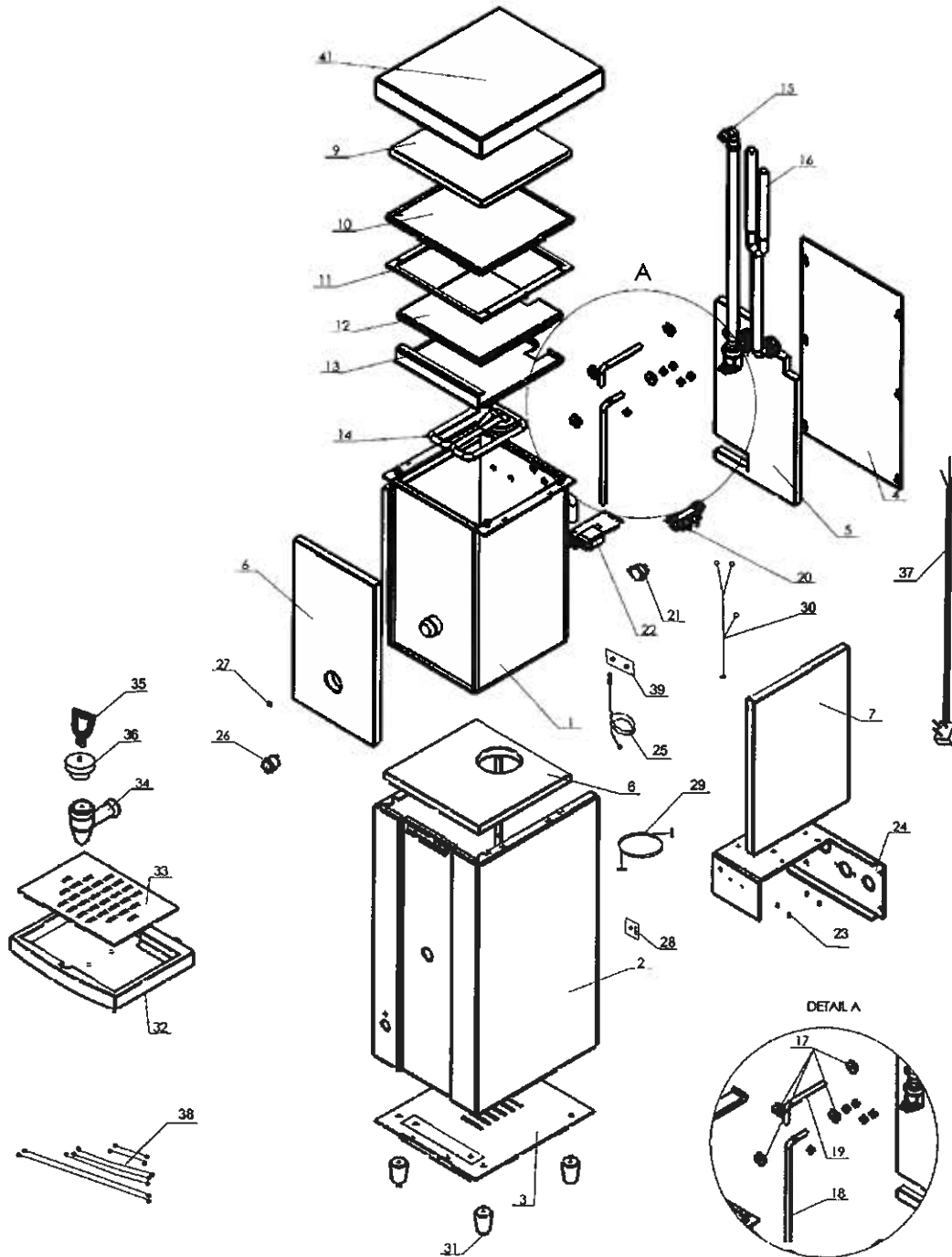
A FULL PARTS LIST CAN BE FOUND ON PAGE 9.



INSTRUCTION REF: IN100
ISSUE No. 2
DATE 2.01.08
Page 8 of 17

TELEPHONE: SERVICE (44) 01332 875665
FAX: SERVICE (44) 01332 875536

EXPLODED VIEW (VIEW AWB3 ONLY ADDITIONAL PARTS FOR AWB6 ARE SHOWN ON PAGE 9)



Parry Group Limited, Town End Road, Draycott, Derby, England DE72 3PT
www.parry.co.uk



INSTRUCTION REF: IN100
ISSUE No. 2
DATE 2.01.08
Page 9 of 17

TELEPHONE: SERVICE (44) 01332 875665
FAX: SERVICE (44) 01332 875536

PARTS LIST

NO.	Description	AWB3 Part Code	AWB6Part Code
1	Tank Assembly	AWB3-2 TANK ASSY	AWB6 TANK ASSY
2	Body	AWB3-2 BODY	AWB6-2 BODY
3	Base	AWB3-2 BASE	AWB6-2 BASE
4	Back Panel	AWB3-2 BACK	AWB6-2 BACK
5	Rear Insulation	POLYBACK3-2	POLYBACK6-2
6	Front Insulation	POLYFRNT3-2	POLYFRNT6-2
7	Side Insulation	POLYSIDE3-2	POLYSIDE3-2
8	Bottom Insulation	POLYBASE3-2	POLYBASE6-2
9	Top Insulation	POLYTOP03-2	POLYTOP6-2
10	Tank Lid	AWB3-2 TANK LID	AWB6-2 TANK LID
11	Tank Gasket	GASKTAWB3	GASKTAWB6
12	Top Condensate Tray	AWB3-2 INNER STEAM LID	AWB6-2 INNER STEAM LID
13	Bottom Condensate Tray	AWB3-2 CONDENSING LID	AWB6-2 CONDENSING LID
14	3kW Element	ELBW03000	ELBW03000
15	Inlet Solenoid + Hose	AWB3-2SOLND	AWB3-2SOLND
16	Overflow / Steam Hose Assembly	AWB3-2HOSE	AWB3-2HOSE
17	Washer Set	WASHERSET	WASHERSET
18	Lower Level Probe	BARCTBAWB	BARCTBAWB
19	Upper Level Probe	BARTHRED2	BARTHRED2
20	Terminal Block	TB3POLETT	TB3POLETT
21	Triac	AWB3-2TRIAC	AWB6TRIAC
22	PCB Controller	AWB3-2PCB	AWB3-2PCB
23	PCB Support Post (4 Per)	SPACERPCB	SPACERPCB
24	PCB Mounting Plate	AWB3-2 LOWER BACK PANEL	AWB6-2 LOWER BACK PANEL
25	Temperature Sensing Probe	THRMAWB36	THRMAWB36
26	Switch + Cover	AWB3-2SWITCH & AWB32SWITCHCOVER	AWB3-2SWITCH & AWB32SWITCHCOVER
27	LED Lens Cover	LEDAWB36	LEDAWB36
28	LED Board		
29	LED Link Cable		
30	Probe Cable		
31	Foot	FOOTAGH	FOOTAGH
32	Drip Tray Moulding	DRIPTRAY1	DRIPTRAY1
33	Drip Tray Plate	AWB3 DRIP TRAY	AWB3 DRIP TRAY
34	Tap	TAPMODELS	TAPMODELS
35	Tap Handle	TAPMODELS	TAPMODELS
36	Tap Seal	TAPMODELS	TAPMODELS
37	Mains Lead	MAINSLEAD	MAINSLEAD
38	Wiring Loom	LOOMAWB3	LOOMAWB6
39	Probe Retaining Plate + Insulation	AWB3-2 THERMISTER BKT	AWB3-2 THERMISTER BKT
40	Water Inlet Hose 1.5m	HOSE01500	HOSE01500
41	Exterior Lid	AWB3-2 TOP	AWB6-2 TOP



INSTRUCTION REF: IN100
ISSUE No. 2
DATE 2.01.08
Page 10 of 17

TELEPHONE: SERVICE (44) 01332 875665
FAX: SERVICE (44) 01332 875536

To order spare parts contact our **Sales Office**

Telephone 01332 875544
or Fax 01332 874455

PAYMENT IS ACCEPTED BY CHEQUE /CREDIT CARD OR DEBIT CARD

CHEQUES SHOULD BE MADE PAYABLE TO THE PARRY GROUP LTD

ALL GOODS REMAIN THE PROPERTY OF THE PARRY GROUP UNTIL PAID FOR IN FULL

FAULT DIAGNOSTICS

The appliance will not work.

- Check that the power switch is turned on to the appliance and the power is in the on position.
- Replace the fuse in the moulded plug (Only applies to AWB3).
 - If there is still a problem call engineer.

All other faults will be indicated by the lamp indicator on the front of the appliance.

Table of indications are shown below:-

LED COLOURS	OPERATION / CONDITION
CYCLES THROUGH COLOURS	On initial power up. (Self Diagnostics)
YELLOW	Filling (Need to fill within 40 sec.)
BLUE→PURPLE→RED	Heat up cycle from power up.
RED	Boiler has reached operating temperature.
GREEN	Boiler needs de-scaling. The boiler will still continue to work but unit must be de-scaled in near future.

Parry Group Limited, Town End Road, Draycott, Derby, England DE72 3PT
www.parry.co.uk