

User Instruction Manual

BURCO

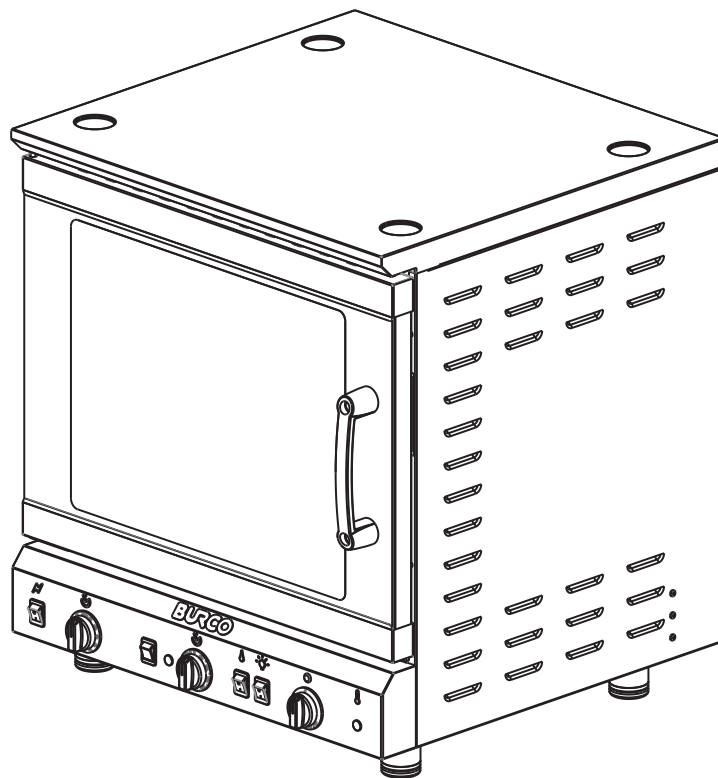
COMMERCIAL

Large Counter Top Convection Oven



Please read and
keep these
instructions

These instructions cover the Burco Large Convection Ovens
BC 1/1 GN 3kW convection Oven - SKU 444443588
BC 1/1 GN 6kW convection Oven - SKU 444443589



Glen Dimplex Professional Appliances
Stoney Lane, Prescot, Merseyside, L35 2XW
Tel: 0844 815 3755

www.burco.co.uk



WARRANTY
3 Year Parts
1 Year Labour

INTRODUCTION.

To ensure you obtain full benefits from your new oven:

- Please read this instruction booklet carefully, and follow all instructions.
- If you are unsure of any aspect of the installation, use or performance of your oven, please contact the after sales number shown on the back page.

SPECIFICATIONS

Model No.		BC 1/1 GN 3.0 kW Convection Oven	BC 1/1 GN 6.0 kW Convection Oven HW
Dimensions	Height	753mm	753mm
	Width	670mm	670mm
	Depth	662mm	662mm
Weight		51kg	52kg
Voltage		240V	240V
Power Rating		3070W	6070W
Water Pressure		0.2 - 0.8MPa	

WARNING: Do not open drain cocks or other emptying devices until the pressure has been reduced to approximately atmospheric pressure. symbol 5021 of IEC 60417-1 is marked on the appliance its meaning shall be explained.

WARNING: To avoid scalding, do not use loaded containers with liquids or cooking goods which becomes fluid by heating in higher levels than those which can be easily observed.

WARNING: Extreme caution must be used when moving this unit as it is VERY HEAVY

WARNING: Metal surfaces may become very hot whilst in operation. Use caution when touching these surfaces.

Caution: In order to avoid a hazard due to inadvertent resetting of the thermal cut-out, this appliance must not be supplied through an external switching device, such as a timer, or connected to a circuit that is regularly switched on and off by the utility.

Caution: Where this appliance is to be positioned in close proximity to a wall, partitions, kitchen furniture, decorative finishes, etc., it is recommended that they be made of non-combustible material, or if not, that they shall be clad with a suitable non-combustible heat-insulating material, and that the closest attention be paid to fire prevention regulations.

INSTALLATION

Installation Requirements

It is essential that this appliance is installed correctly. Installation should comply with all local electrical, and health and safety requirements.

WEEE directive registration no. WEE/CK0046SY/PRO



At end of unit life, dispose of appliance and any replacement parts in a safe manner, via a licenced waste handler. Units are designed to be dismantled easily and recycling of all material is encouraged whenever practicable.

European Directives

As a producer and a supplier of cooking appliances we are committed to the protection of the environment and are in compliance with the WEEE directive. All our electric products are labelled accordingly with the crossed out wheeled bin symbol. This indicates, for disposal purposes at end of life, that these products must be taken to a recognised collection points, such as local authority sites/local recycling centres

This appliance Complies with European Community Directives (CE) for household and similar electrical appliances and Gas appliances where applicable.

This appliance conforms to European Directive 2009/125/EC regarding Eco design requirements for energy-related products.

- Install the unit on a heat-resistant work surface.
- This appliance should have at least 100mm clearance at the back, as it has a rear facing flue to enable two appliances to be stacked using our optional stacking kit. Where it is to be positioned in close proximity to walls, partitions, kitchen furniture, decorative finishes, etc., it is recommended that they be made of non-combustible material, or if not, be clad with a suitable non-combustible heat insulating material, and that the closest attention be paid to fire prevention regulations.
- Make sure that the surface is firm and level.
- Inform all users that the surfaces and base will become hot
- For safety regulations the plug or means of disconnection must always be accessible

Before Connection to Power Supply:

Remove all packaging.

Check the oven and parts for damage. Report any damage immediately to the carrier or supplier.

Remove any protective plastic coating from the outer panels.

Check the following parts have been supplied with your oven:

4 x Oven shelves

Check the available power supply corresponds to that shown on the oven rating label.

Location:

This oven is for indoor use only.

Do not install the oven in a cabinet, it is for counter top use only (Please note this oven can be stacked).

The oven is only to be installed in locations where its use and maintenance is restricted to trained personnel.

The mains lead should reach from the mains socket without straining the connections (if fitted).

Do not let the mains lead hang over the edge of the table or counter, and keep it away from any hot surfaces.

Do not let the mains lead run across an open space.

Do not place the oven where the mains lead could fall into a sink.

Do not place the oven near a hot gas or electric burner.

Ensure the oven is level both from side to side and front to back, to ensure even cooking. There are adjustable feet on each corner, tighten the locknuts after adjustment.

The oven should be positioned such that it can be loaded and unloaded easily, and the controls can be operated conveniently.

Important: DO NOT OBSTRUCT THE VENTILATION SLOTS IN THE BASE /SIDE AND REAR OF THE OVEN.

CONNECT TO THE ELECTRICITY SUPPLY

WARNING: This appliance must be earthed.

This appliance is not intended to be operated by means of an external timer or separate remote control system.

The oven should be positioned such that it can be loaded and unloaded easily, and the controls can be operated conveniently.

Important: DO NOT OBSTRUCT THE VENTILATION SLOTS IN THE BASE /SIDE AND REAR OF THE OVEN.

Electrical Connection 3.0kW:

Fitting a plug (if applicable)

The mains lead of this oven will already be fitted with a BS1363 13A plug. If the fuse has to be replaced, use a 13 amp fuse complying with BS 1362.

If the plug is not suitable for your socket then the plug must be cut off and disposed of safely.

An appropriate plug should be fitted as follows:

IMPORTANT: The wires in the mains lead are coloured in accordance with the following code:

Green and Yellow - Earth

Blue - Neutral

Brown - Live

The wire which is coloured green and yellow must be connected to the terminal in the plug which is marked with the letter E or the earth symbol or coloured green or green and yellow.

The wire which is coloured blue must be connected to the terminal which is marked with the letter N or coloured black or blue.

The wire which is coloured brown must be connected to the terminal which is marked with the letter L or coloured red or brown.



Make sure that the connections are tight and that there are no loose strands of wire and no insulation trapped under the terminals. Tighten the clamp in the plug making sure that it grips the outer covering of the cord. If fitting a BS 1363 13A fused plug then fit a 13A fuse. Tighten the plug cover securely. If you are in any doubt, consult a qualified electrician.

IMPORTANT: if the supply cord is damaged, it must be replaced by the manufacturer, service agent or similar qualified person in order to avoid a hazard. The supply cord may become warm when the appliance is in use.

WARNING - THIS APPLIANCE MUST BE EARTHED

In addition to the earth within the mains plug, connect the equipotential bonding terminal on the rear panel.

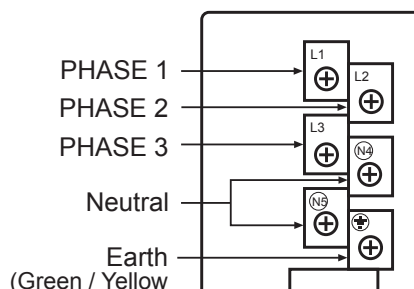
Electrical Connection 6.0kW:

The appliance must be installed by a competent electrician using a double pole control unit of 32 ampere minimum capacity with 3mm minimum contact separation at all poles.

We recommend that the appliance is connected by a competent person who is a member of a competent persons scheme.

1. Access to the mains terminal is gained by opening the terminal block cover at the rear of the appliance (use a small flat-bladed screwdriver).
2. Connection should be made with 6.0mm² flexible twin and earth cable.
3. First strip the wires, then push the cable through the cable clamp in the terminal block cover.
4. Connect the cable to the terminal block and tighten the cable clamp screw (see diagram).
5. Close the terminal box, ensuring that the cover is engaged on the locking tabs.

Block C



Before Use:

Operate the oven for approximately 30 minutes at the highest temperature, to remove any fumes or odour which may be emitted - this is due to oil used during manufacture, or from the oven insulation, but is not harmful.

If your appliance is fitted with the terminal block below, for multi phase appliances please remove the links from terminals L1, L2 and L3 only. Leave neutral links fitted to terminals N4 and N5. Once the supply cable has been connected, please ensure that all 6 screws are secured tight.

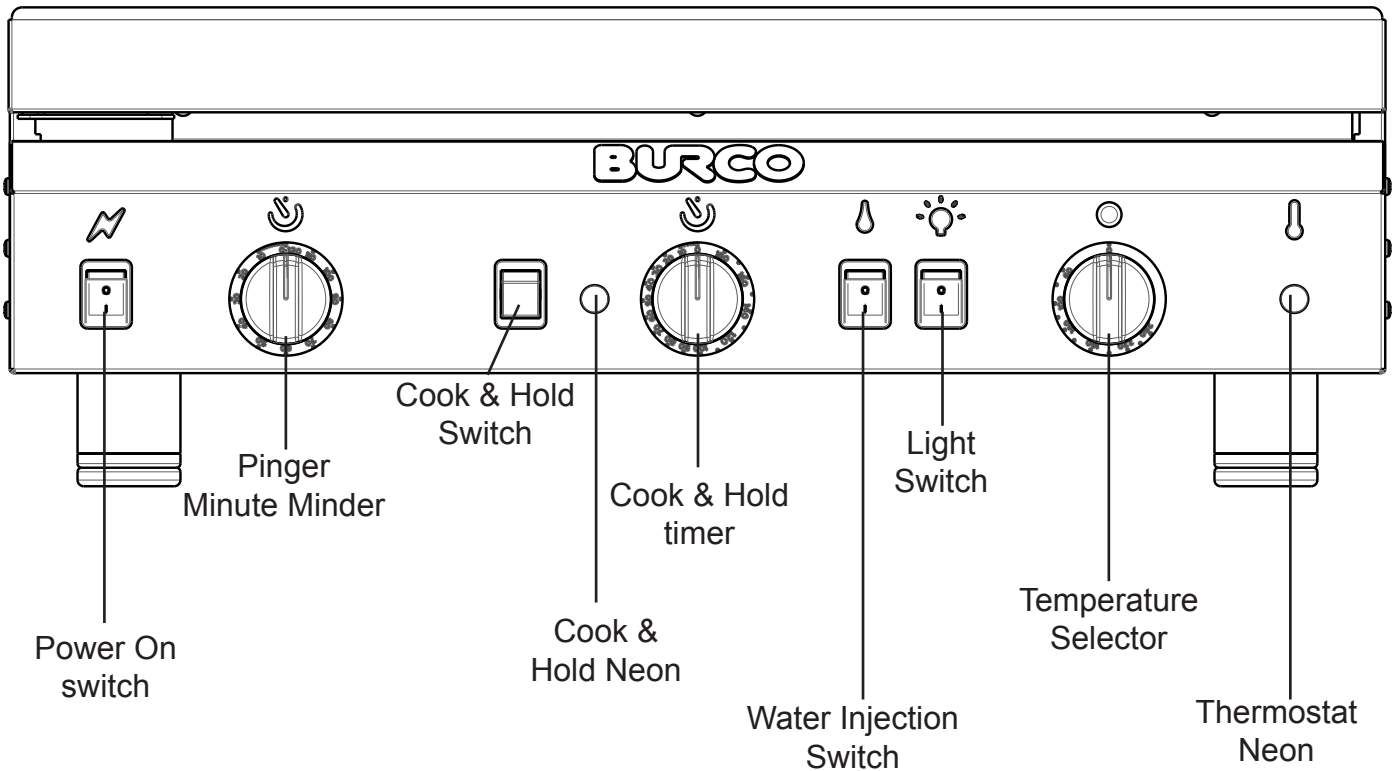
WARNING - THIS APPLIANCE MUST BE EARTHED

Technical Data

Type	Power (Watts)	Current (Amps)	Voltage
6.0kW	6070	25.3	240
3.0kW	3070	12.8	240

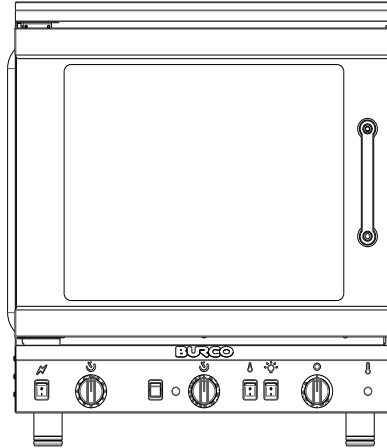
Before Use:

Operate the oven for approximately 30 minutes at the highest temperature, to remove any fumes or odour which may be emitted - this is due to oil used during manufacture, or from the oven insulation, but is not harmful.



USER GUIDE

DO NOT COVER THE OVEN ELEMENT OR OVEN SHELVES WITH METAL FOIL. DURING USE THE OVEN BECOMES HOT. BE CAREFUL NOT TO TOUCH HOT SURFACES. TURN OFF THE POWER SUPPLY AND REMOVE THE PLUG WHEN NOT IN USE, BEFORE CLEANING, AND BEFORE REPLACING ANY PARTS.



OPERATING THE OVEN

Once the green 'on' button is pressed and is illuminated the fan or fans will start to turn.

Set the temperature control to your desired temperature. The orange temperature neon illuminates until your set temperature is achieved. The neon will cycle on and off throughout the duration of your cooking time.

To turn off the oven return the temperature control to the off position.

Press the green power on button to the off position to turn the oven off.

SWITCHING THE OVEN LIGHT ON

To turn the oven light on, press the oven light switch to the on position.

To turn the oven light off, press the oven light switch to the off position.

COOK & HOLD FUNCTION

Maximum duration - 180 minutes

Set the temperature control to your desired temperature.

Set the cook & hold timer to your desired cook time.

Press the cook & hold switch. The orange neon will illuminate.

The oven will now operate for the desired cook time at which point the timer will switch off automatically and the cook & hold function will take over.

The temperature in the cavity will drop from your set temperature down to 80°C. This temperature will be held until the cook & hold function is switched off.

Once the cook & hold function is switched off return the temperature setting to off.

WATER INJECTION

Water can be injected into the cavity by pressing the switch.

This is a momentary action so the longer the switch is activated the more water goes into the cavity.

This is a personal preference action.

SETTING THE 120MINUTE MINDER

The appliance is fitted with a 120minute timer. The timer does not control any function and its sole purpose is to notify the user that their desired time has elapsed. To set the minute minder, turn the timer control knob clockwise to your desired time. Once your set time has finished a bell will sound.

Please note that the timer can be adjusted at any time by turning the control either clockwise or anti-clockwise.

WARNING: To avoid scalding, do not use loaded containers with liquids or cooking goods which becomes fluid by heating in higher levels than can be easily observed.

Cleaning:

ALWAYS TURN OFF THE POWER SUPPLY AND REMOVE THE PLUG BEFORE CLEANING. THIS OVEN IS NOT WATERPROOF. DO NOT USE A WATER JET SPRAY TO CLEAN THE INTERIOR OR EXTERIOR OF THE OVEN, OR USE A WATER JET IN THE VICINITY OF THE OVEN

Exterior

Clean with a good quality stainless steel cleaning compound. Do not use harsh abrasive cleaners as this could damage the surface finish.

Interior

Ensure that the oven chamber is cool. Do not use wire brushes, steel wool or sharp utensils. Clean the oven regularly with a good quality oven cleaner. Take care not to damage the fan or the tube at the top of the oven which controls the thermostat.

Oven shelves

To remove, slide out to the stop position, raise the front edge up, and lift out. Clean with hot water and detergent.

Oven door glass

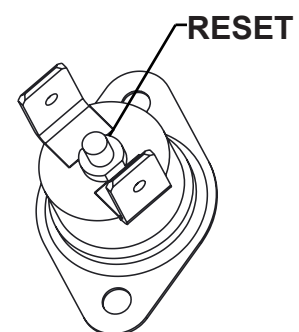
To remove, slide out of slots in door. Clean with a good quality glass cleaner.

THERMAL CUTOUT

This can be checked by a competent person.

WARNING:ALWAYS TURN OFF THE POWER SUPPLY BEFORE REMOVING ANY PARTS.

Remove 14 screws from the back panel, and lift off the back panel by unhooking the supporting tabs from the side panels. To reset, press button in the centre of the cut-out. Replace the back in reverse order.



WARNING: IF THE THERMAL CUTOUT HAS TRIPPED, THE REASON FOR OVERHEATING MUST BE IDENTIFIED AND REMEDIED BEFORE PUTTING THE UNIT BACK INTO SERVICE.

Trouble-shooting:

Fault	Possible Cause	Remedy
The oven does not operate.	No power to the oven. Thermostat or element faulty.	Check supply socket is switched on. Check fuse and circuit breaker. Check green power indicator is illuminated. Replace thermostat or element.
Timer does not time down.	Timer faulty.	Replace timer.
Oven light not illuminated.	Blown bulb.	Replace bulb.

WARRANTY

This convection oven is guaranteed against defective materials or faulty workmanship, for a period of 3 years parts and 1 year on parts and labour.

This Warranty is given subject to the appliance being used in accordance with the instructions supplied, and on the supply voltage marked on the rating label. The Warranty is subject to fair wear and tear conditions.

The Warranty does not cover consequential damage arising out of any failure acceptable under guarantee, nor does it cover damage resulting from misuse, accident or unauthorized alterations to the oven.

Proof of purchase will be required.

In any communication with the supplier or manufacturer, quote the model and serial number marked on the oven rating label.

This guarantee does not affect your statutory rights.

The products are intended for commercial use as detailed in these instructions.

The Company has a policy of continuous improvement in product quality and design. The Company therefore reserves the right to change the specification at any time.

FAQ's

1. What is the temperature range of my appliance and how can I adjust the temperature?

The temperature range for this product is 0°C – 260°C. If you wish to change the temperature, this can be achieved by Rotating the thermostat control dial to the desired temperature.

2.What is the size of the oven cavity?

The oven cavity measures 578mm (w) x 469mm (d) x 421mm (h).

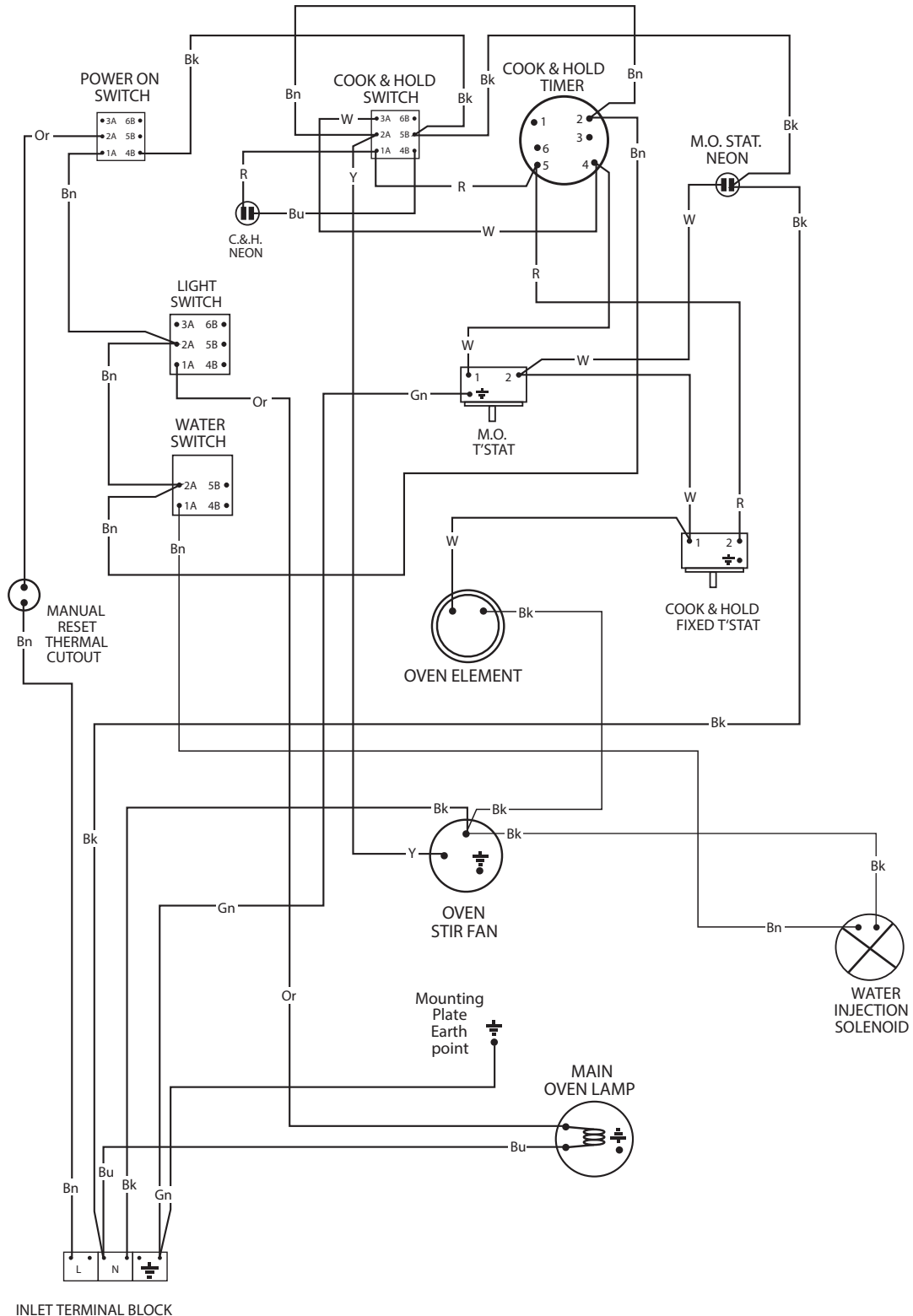
SPARES

If you require any spare parts, please do not hesitate to contact one of advisors on our helpline and they will be happy to assist.

WIRING DIAGRAM COUNTER TOP CONVECTION OVEN

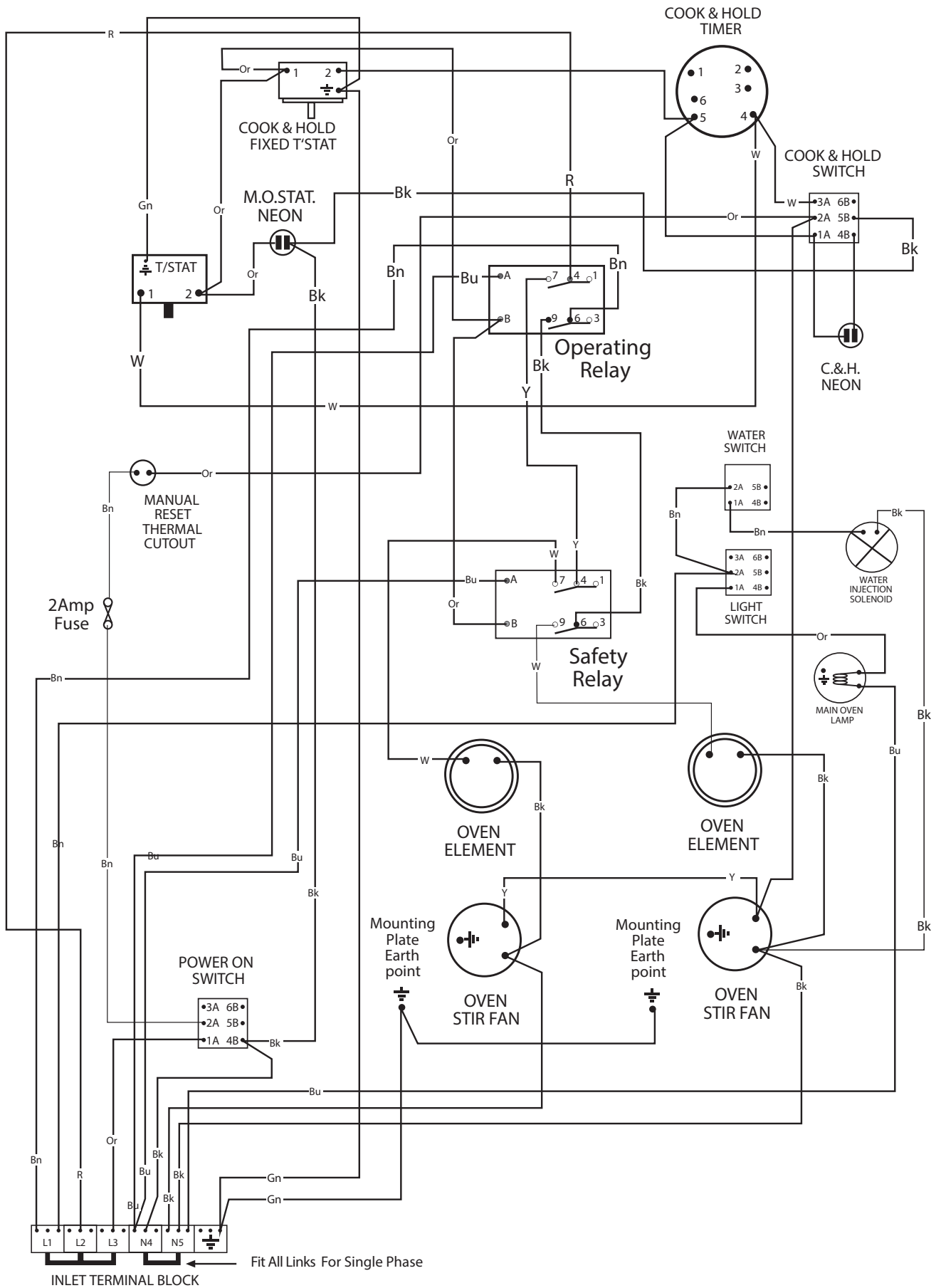
BURCO 3.0kW CONVECTION OVEN

Wiring colour code: Bk=Black, Bn=Brown, Bu=Blue, Gn=Green or Green/Yellow, Or=Orange, W=White, Y=Yellow.



BURCO 6.0kW CONVECTION OVEN

Wiring colour code: Bk=Black, Bn=Brown, Bu=Blue, Gn=Green or Green/Yellow, Or=Orange, W=White, Y=Yellow.



Please keep this handbook for future reference, or for anyone else who may use the appliance.

Customer helpline

For spares and after-sales service please contact

Burco on:

T: 0844 815 3755

F: 0844 815 3748

E: info@gdha.com

**Glen Dimplex Professional Appliances
(A Division of Glen Dimplex Home Appliances)**

**Stoney Lane,
Prescot,
Merseyside L35 2XW**

www.burco.co.uk



**GLENDIMPLEX
PROFESSIONAL APPLIANCES**