



Installation, Operating and Servicing Instructions

Seal Pie Cabinets LPW, LPW/LR

Please make a note of your product details for
future use:

Date Purchased: _____

Model Number: _____

Serial Number: _____

Dealer: _____



CONTENTS

| | |
|--|-----|
| Important Information | 2 |
| Warnings and Precautions | 3 |
| Technical Data | 3 |
| Checklist of Enclosures | 3 |
| Installation and Commissioning | 3-5 |
| Operating Instructions | 5-6 |
| Cleaning | 6-7 |
| Servicing, Maintenance and Component Replacement | 7 |
| Fault Finding | 7 |
| Spare Parts List | 7 |
| Service Information and Guarantee | 8 |

IMPORTANT INFORMATION



Read these instructions carefully before using this product, paying particular attention to all sections that carry warning symbols, caution symbols and notices. Ensure that these are understood at all times.



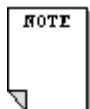
WARNING!

This symbol is used whenever there is a risk of personal injury.



CAUTION!

This symbol is used whenever there is a risk of damaging your Lincat product.



NOTE:

This symbol is used to provide additional information, hints and tips.

KEEP THIS MANUAL FOR FUTURE REFERENCE

WARNINGS AND PRECAUTIONS



This appliance must be Installed, Commissioned and Serviced by a qualified person in accordance with national and local regulations in force in the country of installation.

If the supply cord is damaged, it must be replaced by the manufacturer, its service agent or similarly qualified person.

Ensure that the plug/socket is accessible at all times.

Strip plastic coating and clean the appliance before use.

During operation parts may become hot - avoid accidental contact.

Disconnect this appliance before servicing, maintenance or cleaning.

TECHNICAL DATA

| Model | Height (mm) | Width (mm) | Depth (mm) | Weight (kg) |
|--------|-------------|------------|------------|-------------|
| LPW/ | 520 | 710 | 330 | 25.8 |
| LPW/LR | | | | 26.2 |

CHECK LIST OF ENCLOSURES

| |
|-----------------------------|
| Warranty card |
| Instructions manual |
| Glass doors |
| Crumb tray |
| Shelves (x3 LPW, x4 LPW/LR) |
| Water bath (LPW/LR) |
| Bath lid (LPW/LR) |

INSTALLATION AND COMMISSIONING

This appliance must be earthed.



An equipotential bonding terminal is provided to allow cross bonding with other equipment.

If replacing the plug connect the terminals as follows:

| | | |
|-----------------------|---------|---|
| Green and Yellow wire | Earth | E |
| Blue wire | Neutral | N |
| Brown wire | Live | L |

Supply cords shall be oil resistant, sheathed flexible cable not lighter than ordinary polychloroprene or equivalent elastomer sheathed cord (code 60245 IEC 57)

Install this appliance on a level surface ensuring all vents are unobstructed. Any partitions, walls or furniture must be of non-combustible material. Minimum distances A 100mm B 500mm – see Fig 1.

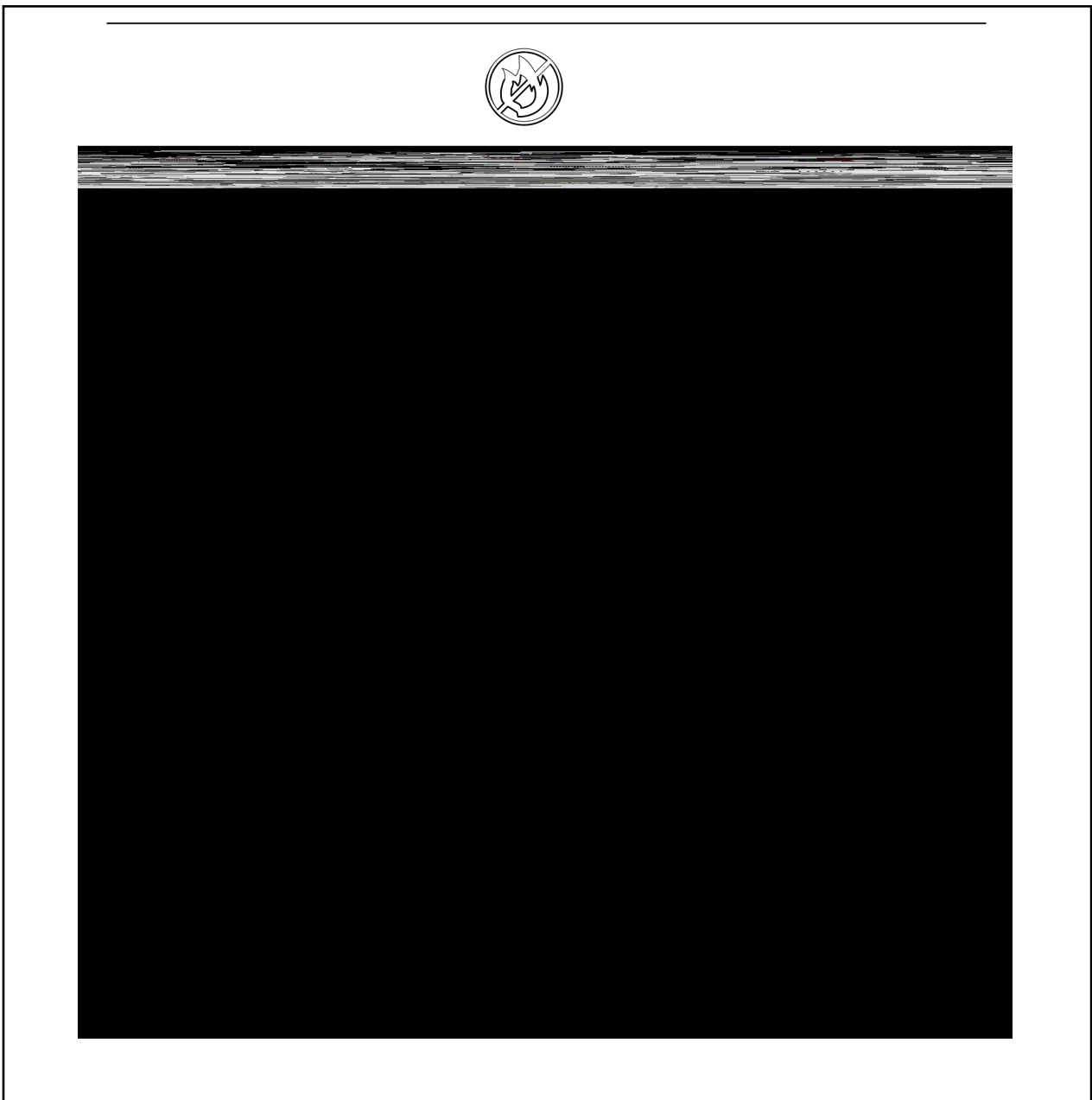


Fig 1

Power Ratings

| Model | kW | Amps |
|--------|------|------|
| LPW | 0.75 | 3.2 |
| LPW/LR | 0.8 | 3.3 |

Slide the doors into the middle position; lift up and out of the bottom runner and remove. Fit shelves, then re-fit doors.

OPERATING INSTRUCTIONS

Only qualified or trained personnel should use this appliance.

This appliance relies on the circulation of warm air around the shelves. Ensure this is not obstructed by overloading or by the use of aluminium foil on the base/shelves.

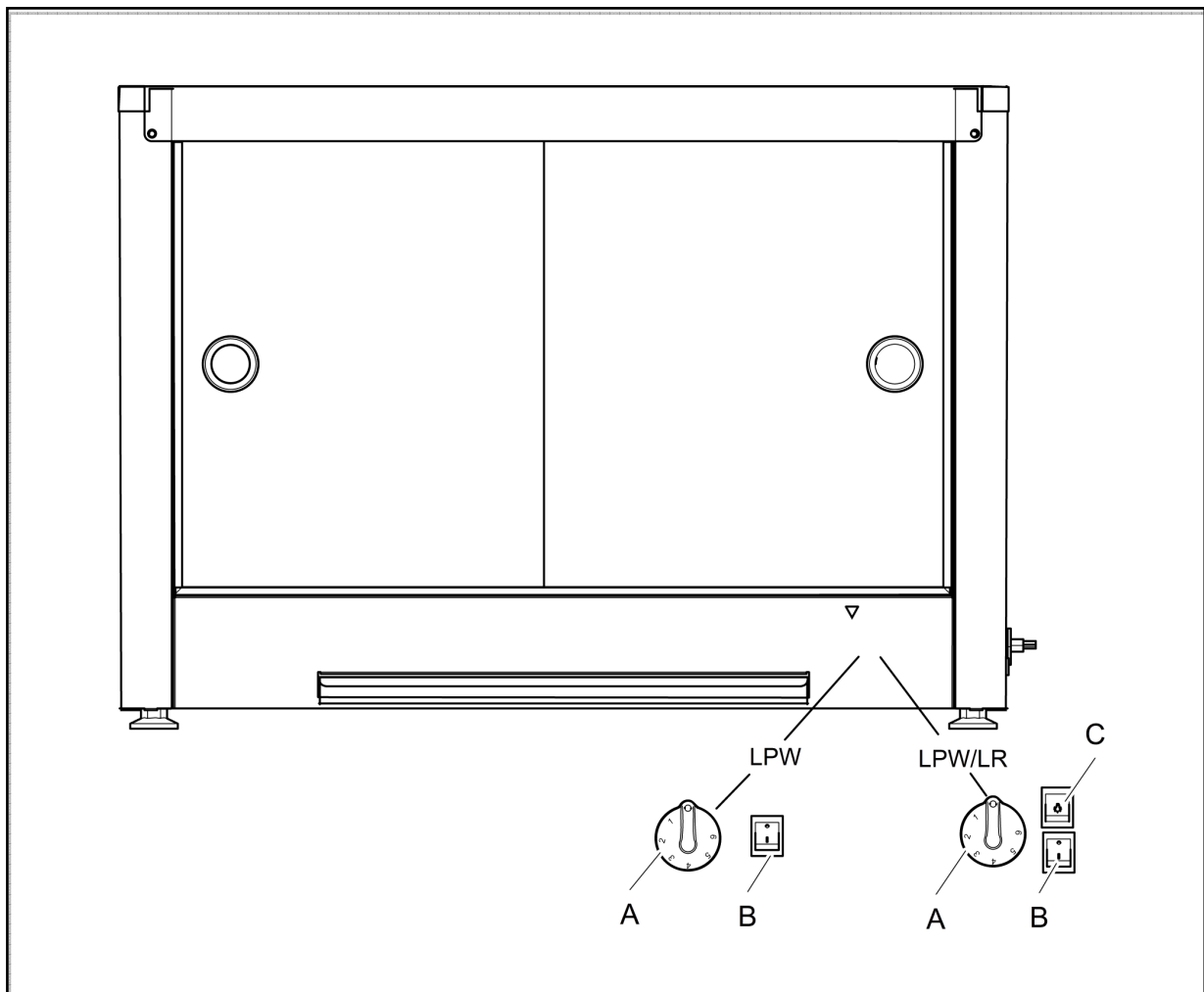


Fig 2

Connect the appliance to the electricity supply and switch on at the On/Off switch Fig 2 (B).

Turn the control knob (A) to the desired setting and allow the appliance to heat up for 15 minutes before loading with pre-heated food.

LPW/LR model only

Operate the light using the switch Fig 2 (C).

The integral water bath provides humidity to keep certain products such as pastry, moist. Slide out the crumb tray Fig 3 (A), remove the lid (C). For best results, fill the bath (B) with warm water. Check the level occasionally, taking care when removing as it may become hot. Avoid condensation on the glass by ensuring you do not overload the cabinet.

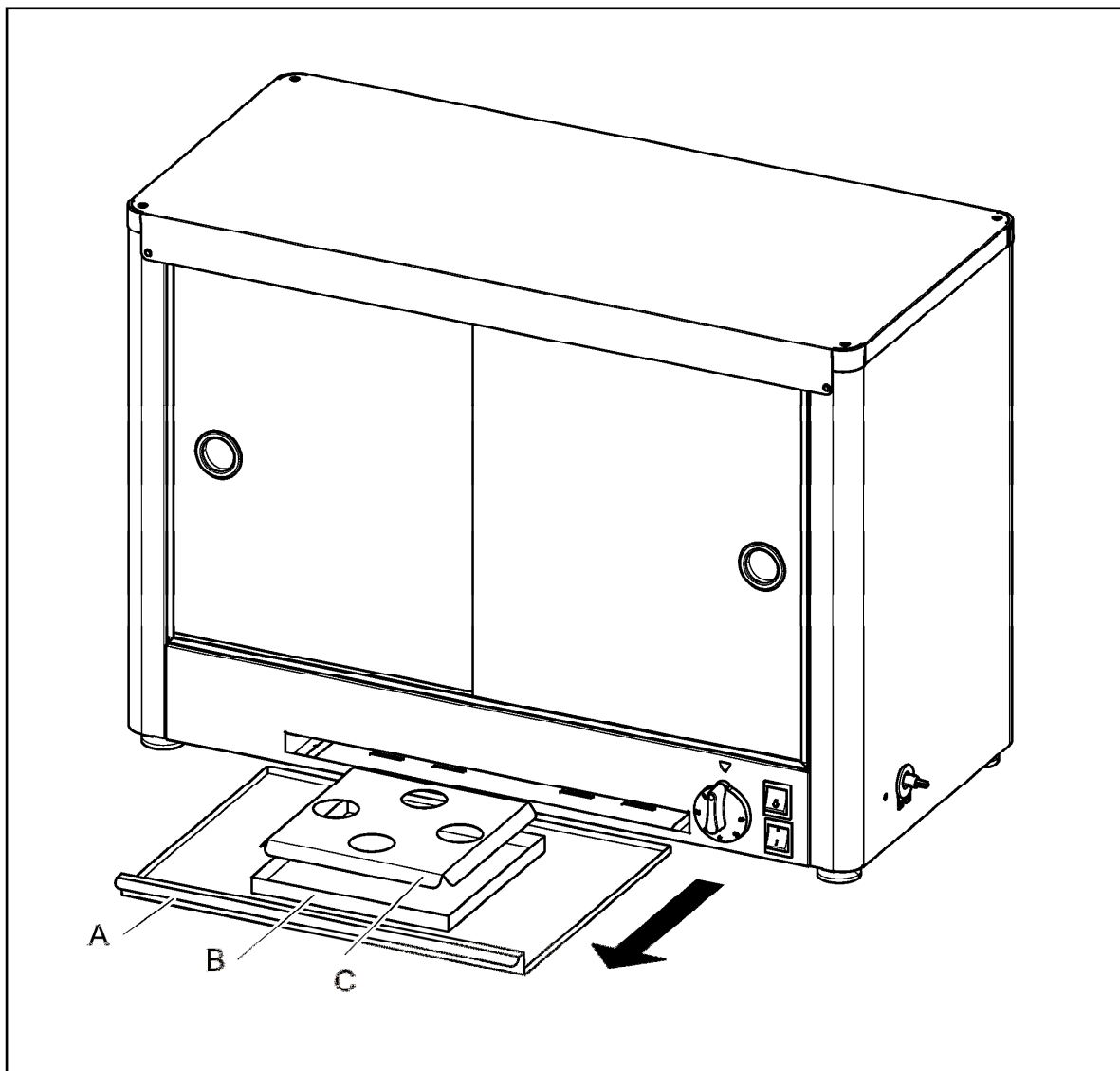


Fig 3

CLEANING



Do not use a water jet or steam cleaner, and do not immerse this appliance.

Shelves and shelf supports may be removed after removal of the glass doors (see installation). To remove the shelf supports, lift and rotate inwards from the bottom.

Clean all panels with warm water and mild detergent, do not use abrasive materials and do not wet electrical components. Dry with a soft cloth.

SERVICING, MAINTENANCE AND COMPONENT REPLACEMENT

To replace a light bulb, remove the light cover by careful levering. Unscrew the bulb. Reverse the sequence to fit a new bulb.

All other servicing, maintenance and component replacement on this appliance should be carried out by one of our recommended service engineers.

FAULT FINDING

Please refer to the Service Help Desk number on the final page of this manual.

SPARE PARTS LIST

| Part Number | Description | Used on |
|-------------|---------------------|-------------|
| CM02 | Corner moulding | LPW, LPW/LR |
| DS11 | Top door channel | |
| DS12 | Bottom door channel | |
| EL218 | Element | |
| FE10 | Foot | |
| FP02 | Glass finger pull | |
| GL201 | Front glass | |
| GL202 | Door glass | |
| KN203 | Control knob | |
| LA10 | Light | |
| PL201 | Mains cable | LPW/LR |
| SH94 | Shelf | LPW, LPW/LR |
| SW69 | On/Off switch | |
| SW70 | Light switch | LPW/LR |
| TH106 | Thermostat | LPW, LPW/LR |

SERVICE INFORMATION

For help with the installation, maintenance and use of your **Lincat** equipment, please contact our service department:

☎ UK: 01522 875520

For non-UK customers, please contact your local Lincat dealer

All service work, other than routine cleaning should be carried out by one of our authorised service agents. We cannot accept responsibility for work carried out by other persons.

To ensure your service enquiry is handled as efficiently as possible, please tell us:

- Brief details of the problem
 - Product code
 - Type number
 - Serial number
- } All available on serial plate

Lincat reserve the right to carry out any work under warranty, given reasonable access to the appliance, during normal working hours, Monday to Friday, 08:30 to 17:00.

GUARANTEE

This unit carries a comprehensive UK mainland 2 year warranty. The guarantee is in addition to, and does not diminish your statutory or legal rights.

The guarantee does not cover:

- Accidental damage, misuse or use not in accordance with the manufacturer's instructions
- Consumable items (such as filters, glass, bulbs, slot toaster elements and door seals.)
- Damage due to incorrect installation, modification, unauthorised service work or damage due to scale, food debris build-up, etc.

The manufacturer disclaims any liability for incidental, or consequential damages. Attendance is based on reasonable access to the appliance to allow the authorised technician to carry out the warranty work.

Service calls to equipment under warranty will be carried out in accordance with the conditions of sale. Unless otherwise specified, a maximum of 15 minutes of administrative time, not spent directly carrying out servicing work, is provided for within the warranty. Any requirement for staff attending the call to spend greater time than 15 minutes due to administrative requirements, such as on health and safety risk assessments, will be chargeable at the prevailing rate.