

Contents

EN

1 Instructions	4
1.1 General safety instructions	4
1.2 Identification plate	5
1.3 Manufacturer liability	5
1.4 Appliance purpose	5
1.5 Disposal	5
1.6 This user manual	6
1.7 How to read the user manual	6
2 Description	7
2.1 General Description	7
2.2 Control panel	7
2.3 Other parts	8
3 Use	9
3.1 Instructions	9
3.2 First use	10
3.3 Using the oven	10
3.4 Cooking modes	10
4 Cleaning and maintenance	11
4.1 Instructions	11
4.2 Cleaning the surfaces	11
4.3 Ordinary daily cleaning	11
4.4 Food stains or residues	11
4.5 Removing the door	11
4.6 Cleaning the door glazing	12
4.7 Removing the internal glass panels	12
4.8 Cleaning the inside of the oven	13
4.9 Extraordinary maintenance	14
4.10 If the appliance is not working properly	15
5 Installation	16
5.1 Electrical connection	16
5.2 Positioning	17

ORIGINAL INSTRUCTIONS

We advise you to read this manual carefully, which contains all the instructions for maintaining the appliance's aesthetic and functional qualities.



1 Instructions

1.1 General safety instructions

Risk of personal injury

- During use the appliance and its accessible parts become very hot.
- Never touch the heating elements during use.
- Keep children under eight years of age at a safe distance if they are not constantly supervised.
- Children must never play with the appliance.
- This appliance may be used by children aged at least 8 and by people of reduced physical, sensory or mental capacity, or lacking in experience in the use of electrical appliances, provided that they are supervised or instructed by adults who are responsible for their safety.
- Never try to put out a fire or flames with water: Turn off the appliance and smother the flames with a fire blanket or other appropriate cover.
- The appliance must never be cleaned by unsupervised children.
- Do not insert pointed metal objects (cutlery or utensils) into the slots in the appliance.
- Switch off the appliance immediately after use.
- Do not modify this appliance.

- Have qualified personnel carry out installation and assistance interventions according to the standards in force.
- Do not try to repair the appliance yourself or without the intervention of a qualified technician.
- If the power supply cable is damaged, contact technical support immediately and they will replace it.
- Do not place containers with liquids or food products which can melt during cooking on the upper shelves which are not visible.
- The floor adjacent to the appliance could be very slippery. Pay close attention.

Risk of damaging the appliance

- Racks and trays have to be inserted into the side guides until they come to a complete stop. The mechanical safety locks that prevent the rack from being taken out accidentally have to face downwards and towards the oven back.
- Use wooden or plastic utensils.
- Do not seat on the appliance.
- Do not use abrasive or corrosive detergents on glass parts (e.g. powder products, stain removers and metallic sponges).
- Do not use steam jets to clean the appliance.



- Do not obstruct ventilation openings and heat dispersal slots.
- Never leave the appliance unattended during cooking operations where fats or oils could be released.
- Never leave objects on the cooking surface.
- Do not use the appliance to heat rooms for any reason.
- Remove any food residues or large spills from previous cooking operations from the inside of the oven.

For this appliance

- Do not rest any weight or sit on the open door of the appliance.
- Take care that no objects are stuck in the doors.
- Have the condition of the components checked regularly by Technical Support.

1.2 Identification plate

- The identification plate bears the technical data, serial number and brand name of the appliance. Do not remove the identification plate for any reason.

1.3 Manufacturer liability

The manufacturer declines all liability for damage to persons or property caused by:

- Use of the appliance other than as envisaged;
- Non-observance of the user manual provisions;

- Tampering with any part of the appliance;
- Use of non-original spare parts.

1.4 Appliance purpose

This appliance is intended for cooking food in the professional environment. Every other use is considered improper.

This appliance must not be used by people (including children) of reduced physical or mental capacity, or lacking in experience in the use of electrical appliances, unless they are supervised or instructed by adults who are responsible for their safety.

1.5 Disposal



This appliance must be disposed of separately from other waste (Directives 2002/95/EC, 2002/96/EC, 2003/108/EC). The appliance does not contain substances in quantities sufficient to be considered hazardous to health and the environment, in accordance with current European directives.

To dispose of the appliance:

- Cut the power supply cable and remove it along with the plug.



Power voltage Danger of electrocution

- Disconnect the main power supply.
- Unplug the appliance.



Instructions

- Deliver the appliance to the appropriate recycling centre for electrical and electronic equipment waste, or return it to the retailer when purchasing an equivalent product, on a one for one basis.

Our appliances are packed in non-polluting and recyclable materials.

- Deliver the packing materials to the appropriate recycling centre.



Plastic packaging Danger of suffocation

- Do not leave the packaging or any part of it unattended.
- Do not let children play with the packaging plastic bags.

1.6 This user manual

This user manual is an integral part of the appliance and must therefore be kept in its entirety and within the user's reach for the whole working life of the appliance.

Read this user manual carefully before using the appliance.

1.7 How to read the user manual

This user manual uses the following reading conventions:

Instructions



General information on this user manual, on safety and final disposal.

Description



Description of the appliance and its accessories.

Use



Information on the use of the appliance and its accessories, cooking advice.

Cleaning and maintenance



Information for proper cleaning and maintenance of the appliance.

Installation



Information for the qualified technician: Installation, operation and inspection.



Safety instructions



Information



Advice

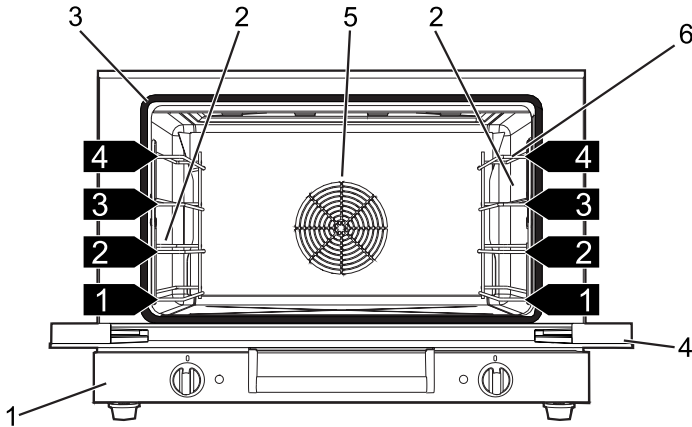
1. Sequence of instructions for use.

- Standalone use instruction.



2 Description

2.1 General Description



1 Control panel

2 Oven light

3 Seal

4 Door

5 Oven fan

6 Rack/tray support frames

1,2,3... Frame shelf

2.2 Control panel



1 Temperature/function knob

This knob allows you to select the cooking temperature.

Turn the knob clockwise to the required value, between the minimum and maximum settings.

2 Thermostat indicator light

When the indicator light is fixed, it indicates that the oven is heating up to reach the set temperature. Once the temperature has been reached, the indicator light comes on and goes off to indicate that the temperature is being kept constant.




Description

3 Timer indicator light

When off, it indicates the beginning of timed cooking. When on, it indicates that timed cooking has finished.

4 Timer knob

This knob allows you to select manual or timed cooking. Turn the knob to symbol  for manual cooking or to the numbers to select the minutes of cooking. Once the countdown has finished, the knob will automatically return to the "0" position, the oven switches off and a beep sounds to indicate the end of cooking.

2.3 Other parts

Shelves

The appliance features shelves for positioning trays and racks at different heights. The insertion heights are indicated from the bottom upwards (see 2.1 General Description).

Internal ventilation

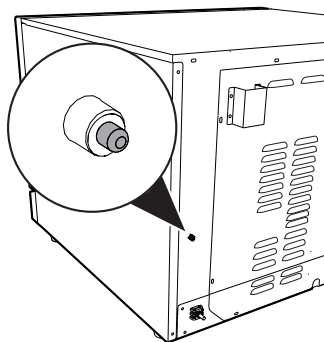
The counter rotating fan(s) deactivate automatically when the door is opened and resume operation when the door is closed.

Interior lighting

The oven interior lighting comes on when the door (depending on the model) is opened or any function is selected.

Safety thermostat

The appliance is equipped with a safety device that triggers in case of serious malfunction. To re-arm the safety device press the button on the back.



Contact technical support immediately after the safety device has triggered to check if there are any faults.



3 Use

3.1 Instructions



High temperature inside the oven during use
Danger of burns

- Keep the oven door closed during cooking.
- Protect your hands wearing heat resistant gloves when moving food inside the oven.
- Do not touch the heating elements inside the oven.
- Do not pour water directly onto very hot trays.
- Do not allow children to get near the oven when it is in operation.
- If you need to move food or at the end of cooking, open the door 5 cm for a few seconds, let the steam come out, then open it fully.



High temperature inside the oven during use
Danger of fire or explosion

- Do not spray any spray products near the oven.
- Do not use or leave flammable materials near the oven.
- Do not use plastic kitchenware or containers when cooking food.
- Do not put sealed tins or containers in the oven.
- Do not leave the oven unattended during cooking operations where fats or oils could be released.
- Remove from the oven compartment all trays and racks not used during cooking.



Improper use
Risk of damage to enamelled surfaces

- Do not cover the bottom of the cooking compartment with aluminium or tin foil sheets.
- If you wish to use greaseproof paper, place it so that it will not interfere with the hot air circulation inside the oven.
- Do not place pans or trays directly on the bottom of the cooking compartment.
- Do not pour water directly onto very hot trays.



3.2 First use

1. Remove any protective film from the outside or inside of the appliance, including accessories.
2. Remove any labels (apart from the technical data plate) from the accessories and from the cooking compartment.
3. Remove and wash all the appliance accessories (if fitted) (see 4 Cleaning and maintenance).
4. Heat the empty oven at the maximum temperature to burn off any residues left by the manufacturing process.

3.3 Using the oven



The oven is designed for a maximum load of 12 kg.

Switching the oven on

To switch the oven on:

1. Select the cooking temperature and function using the temperature knob.
2. Select the cooking time or set manual cooking using the timer knob.

3.4 Cooking modes



Defrosting

The movement of air at room temperature causes frozen food to defrost quickly. This type of rapid defrosting is ideal as the taste and appearance of the de-frozen food, whether previously deep-frozen or frozen in the freezer, remain unaltered.



Normal cooking

Using the fan and the circular heating elements (incorporated in the rear of the oven) allows you to cook different foods on several levels. Hot air circulation ensures instant and uniform distribution of heat.





4 Cleaning and maintenance

4.1 Instructions



Improper use
Risk of damage to surfaces

- Do not use steam jets for cleaning the appliance.
- Do not use cleaning products containing chlorine, ammonia or bleach on steel parts or parts with metallic finishes on the surface (e.g. anodizing, nickel- or chromium-plating).
- Do not use abrasive or corrosive detergents on glass parts (e.g. powder products, stain removers and metallic sponges).
- Do not use rough or abrasive materials or sharp metal scrapers.

4.2 Cleaning the surfaces

To keep the surfaces in good condition, they should be cleaned regularly after use. Let them cool first.

4.3 Ordinary daily cleaning

Always use only specific products that do not contain abrasives or chlorine-based acids.

Pour the product onto a damp cloth and wipe the surface, rinse thoroughly and dry with a soft cloth or a microfibre cloth.

4.4 Food stains or residues

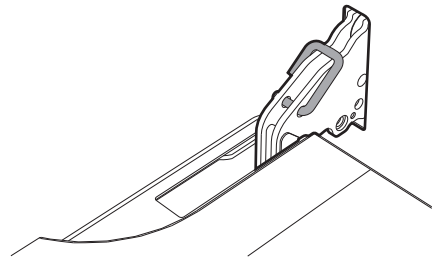
Do not use metallic sponges or sharp scrapers as they will damage the surfaces. Use ordinary non-abrasive products with the aid of wooden or plastic utensils if necessary. Rinse thoroughly and dry with a soft cloth or a microfibre cloth.

4.5 Removing the door

For easier cleaning, the door can be removed and placed on a canvas.

To remove the door proceed as follows:

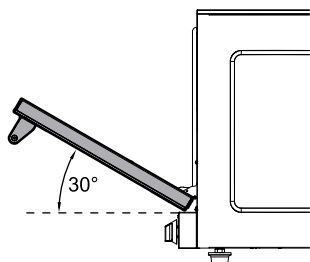
1. Open the door completely and insert two pins into the holes on the hinges indicated in the figure.



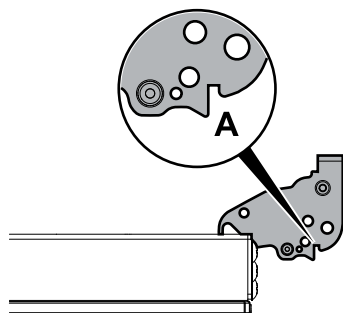
2. Grasp the door on both sides with both hands, lift it forming an angle of around 30° and remove it.



Cleaning and maintenance



3. To reassemble the door, put the hinges in the relevant slots in the oven, making sure that grooved sections **A** are resting completely in the slots. Lower the door and once it is in place remove the pins from the holes in the hinges.



4.6 Cleaning the door glazing

The glass in the door should always be kept thoroughly clean. Use absorbent kitchen roll. In case of stubborn dirt, wash with a damp sponge and an ordinary detergent.

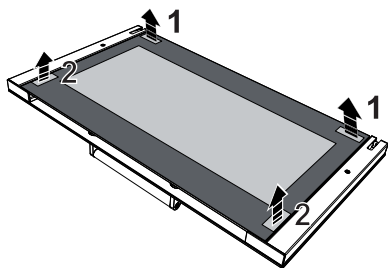


We recommend the use of cleaning products distributed by the manufacturer.

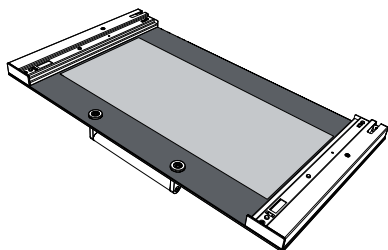
4.7 Removing the internal glass panels

For easier cleaning the door internal glass panels can be disassembled.

1. Remove the internal glass panel by pulling the rear part gently upwards, following the movement indicated by the arrows (1).
2. Then, pull the front part upwards (2). In this way, the 4 pins attached to the glass detach from their housings in the oven door.

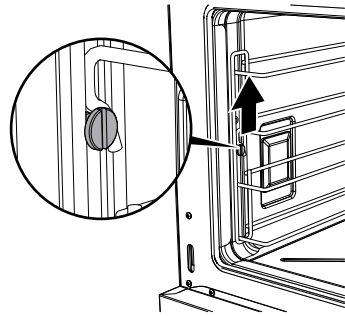
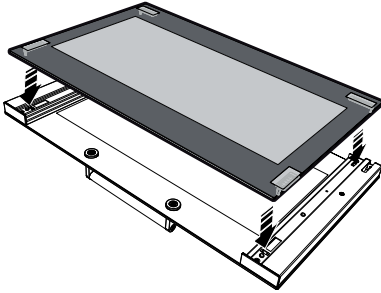


3. Clean the external glass panel and the panels previously removed. Use absorbent kitchen roll. In case of stubborn dirt, wash with a damp sponge and neutral detergent.





4. Reposition the internal glass panel. Take care to centre and insert the 4 pins into their housings in the oven door by applying slight pressure.



To remove the guide frames, pull the frame upwards to unhook it from its groove, then slide it out of the seats at the back.

4.8 Cleaning the inside of the oven

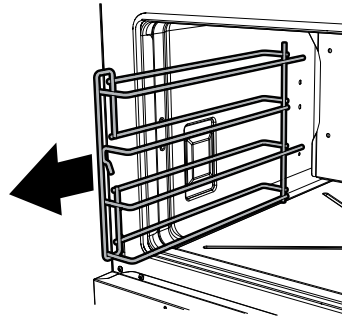
For the best oven upkeep, clean it regularly after having allowed it to cool.



The oven should be operated at the maximum temperature for about 15-20 minutes after the use of specific products, to burn off the residues left inside the oven.



For easier cleaning, remove the door.



When cleaning is complete, repeat the above procedures to put the guide frames back in.

Removing racks/trays support frames

Removing the guide frames enables the sides to be cleaned more easily.

unscrew the fastening pins of the frame.



Cleaning and maintenance

4.9 Extraordinary maintenance

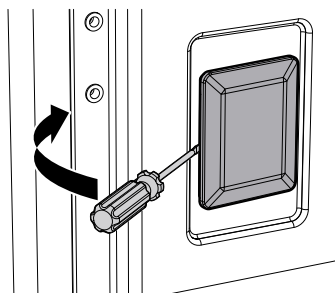


Live parts
Danger of electrocution

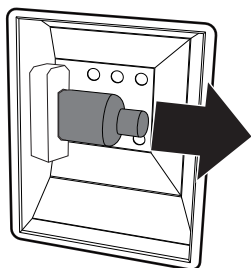
- Disconnect the oven power supply.

Replacing the internal light bulb

1. Completely remove all accessories from inside the oven.
2. Remove the racks/trays support frames.
3. Remove the bulb cover using a tool (e.g. a screwdriver).



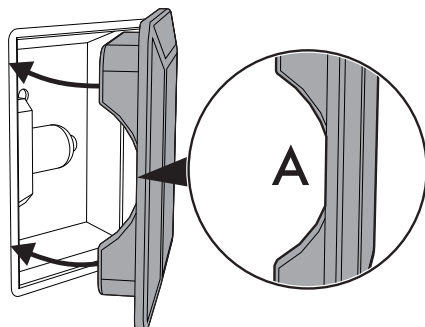
4. Slide out and remove the light bulb.



Do not touch the halogen light bulb directly with your fingers, but wrap it in insulating material.

5. Replace the light bulb with one of the same type (40W).

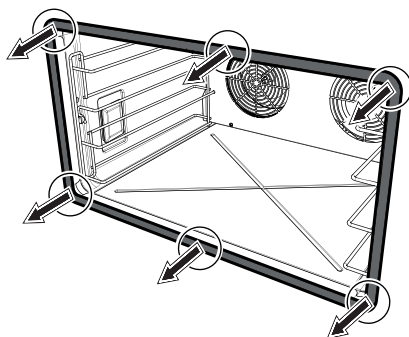
6. Refit the cover correctly, so that the moulded part of the glass is facing the door.



7. Press the cover completely down so that it attaches perfectly to the bulb support.

Removing the door seal

To permit thorough cleaning of the oven, the door seal may be removed. There are fasteners on all four sides and in the middle to attach it to the edge of the oven. Pull the edges of the seal outwards, where indicated to detach it.



To keep the seals clean, use a non-abrasive sponge and lukewarm water. Seals should be soft and elastic.



4.10 If the appliance is not working properly

EN

Problem	Likely solution
The oven is not working	<ul style="list-style-type: none"> • The timer knob is positioned on 0. • The plug is not properly inserted in the socket. • The electrical system is damaged or not working properly. • The fuses have blown or the circuit breakers have not been activated.
Foods either take too long or too little to cook	<ul style="list-style-type: none"> • The temperature setting is incorrect.
Moisture forms inside the oven and on the foods	<ul style="list-style-type: none"> • The foods are being left in the oven for too long after cooking. Do not leave them in the oven for more than 15-20 minutes after the end of the cooking time.

This product meets the current safety regulations in force for electrical appliances. To prevent safety hazards for users, all technical inspections or repairs must be carried out by qualified personnel.



If the appliance is not working properly, before calling Customer Service, ensure that the procedures listed below have been performed.



Installation

5 Installation


5.1 Electrical connection



**Power voltage
Danger of electrocution**

- Have the electrical connection performed by authorised technical personnel.
- The appliance must be connected to earth in compliance with electrical system safety standards.
- Disconnect the main power supply.
- Do not pull the cable to remove the plug.
- Use H07RN-F cables withstanding a temperature of at least 90°C.
- The tightening torque of the screws of the terminal supply wires must be 1.5 - 2 Nm.



The terminal indicated by symbol  links up parts that are normally earthed. Connect the appliances appropriately using this terminal in order to make sure that they are equipotential.



If the phase voltage drops below 190V~, the performance of the oven may suffer, not due to the product itself.

General information

Check the grid characteristics against the data indicated on the plate.

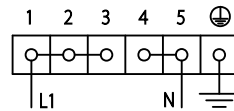
The identification plate bearing the technical data, serial number and brand name is visibly positioned on the appliance. Do not remove this plate for any reason.

Perform the ground connection using a wire that is 20 mm longer than the other wires.

The appliance is provided with a five-core H07RN-F cable (3 x 1.5 mm² referring to the cross section of the internal conductor).

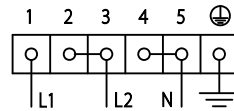
Connection modes:

- **220-240 V 1N~**



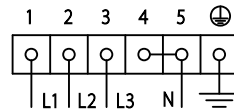
Use a **3 x 4 mm² three-core** cable.

- **380-415 V 2N~**



Use a **4 x 2.5 mm² four-core** cable.

- **380-415 V 3N~**



Use a **5 x 1.5 mm² five-core** cable.



The values indicated above refer to the cross-section of the internal conductor.



Fixed connection

Fit the power line with an omnipolar circuit breaker in compliance with installation regulations.

The circuit breaker should be located near the appliance and in an easily reachable position.

Connection with plug and socket

Make sure that the plug and socket are of the same type.

Avoid using adapters and shunts as these could cause overheating and a risk of burns.

Cable replacement



**Power voltage
Danger of electrocution**

- Disconnect the main power supply.
1. Unscrew the rear casing screws and remove the casing to access the terminal board.
 2. Replace the cable.
 3. Make sure that the cables follow the best route in order to avoid any contact with the appliance.

5.2 Positioning



**Heavy appliance
Danger of crush injuries**

- Position the appliance with the aid of a second person.



**Pressure on the open door
Risk of damages to the appliance**

- Never use the open door to lever the appliance into place when fitting.
- Avoid exerting too much pressure on the oven door when open.



**Heat production during appliance operation
Risk of fire**

- Veneers, adhesives or plastic coatings on adjacent furniture should be temperature-resistant (no less than 90°C).



**Improper installation
Risk of damage to people**

- The appliance support base should not exceed a height of 160 mm from the floor.

Levelling

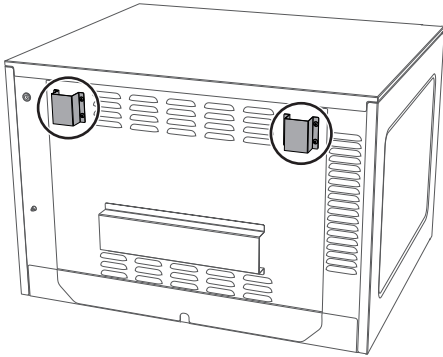
Level the appliance on the ground using the adjustable feet. The foot has a range of 10 mm.



Installation

Steam outlet pipe

Depending on the model, there are two exhaust flues on the back of the appliance for releasing the steam produced during cooking.



These must be left free of any obstruction. Avoid crushing them.

Multiple installations



Improper installation

Risk of damages to the appliance

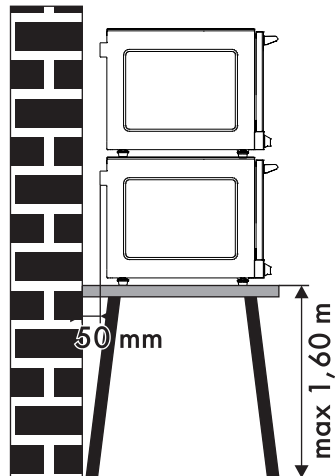
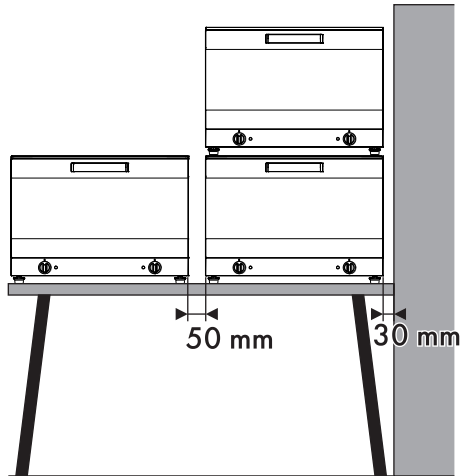
- The appliances cannot be installed one on top of the other without installing the stack kit (on demand).



Weight: Kg 56.3

Place the appliance at a distance of at least 50 mm from any back wall and at 30 mm from any side wall. Keep a minimum distance of 50 mm between the appliances in the case of installation of multiple and adjacent appliances.

The appliance support base should not exceed a height of 1.60 m from the floor. The appliance must be installed on a worktop.



914777101/A