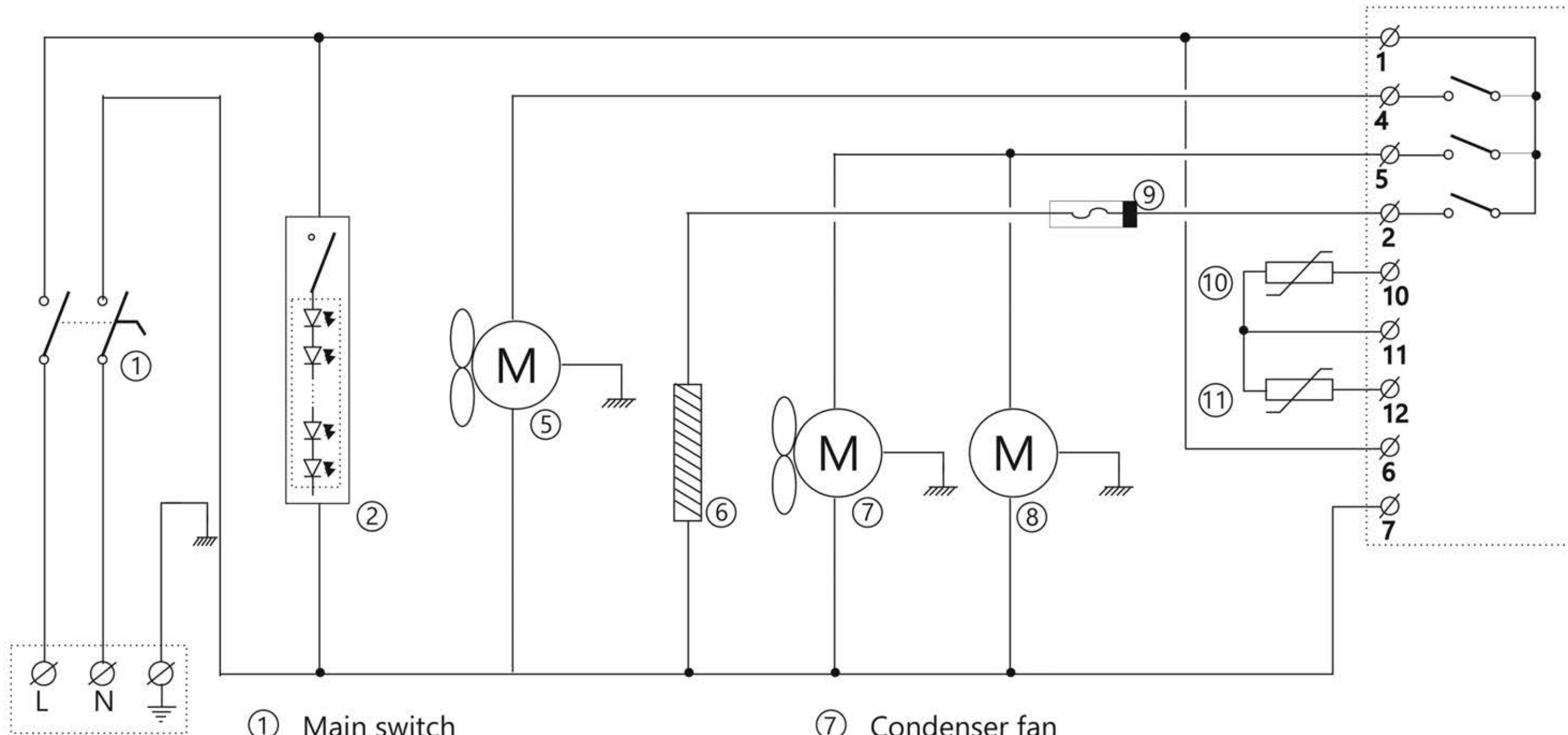


XR06CX



- ① Main switch
- ② T8 LED lamp
- ⑤ Evaporator fan
- ⑥ Defrost heater
- ⑦ Condenser fan
- ⑧ Compressor
- ⑨ Fuse
- ⑩ Evaporator probe
- ⑪ Cabinet probe

TEFCOLD Cool Products Worldwide	Date: 180605
Model: GF200VG	Rev.: 01
Wiring diagram	Rev. by: rfj
Drawing no.:	