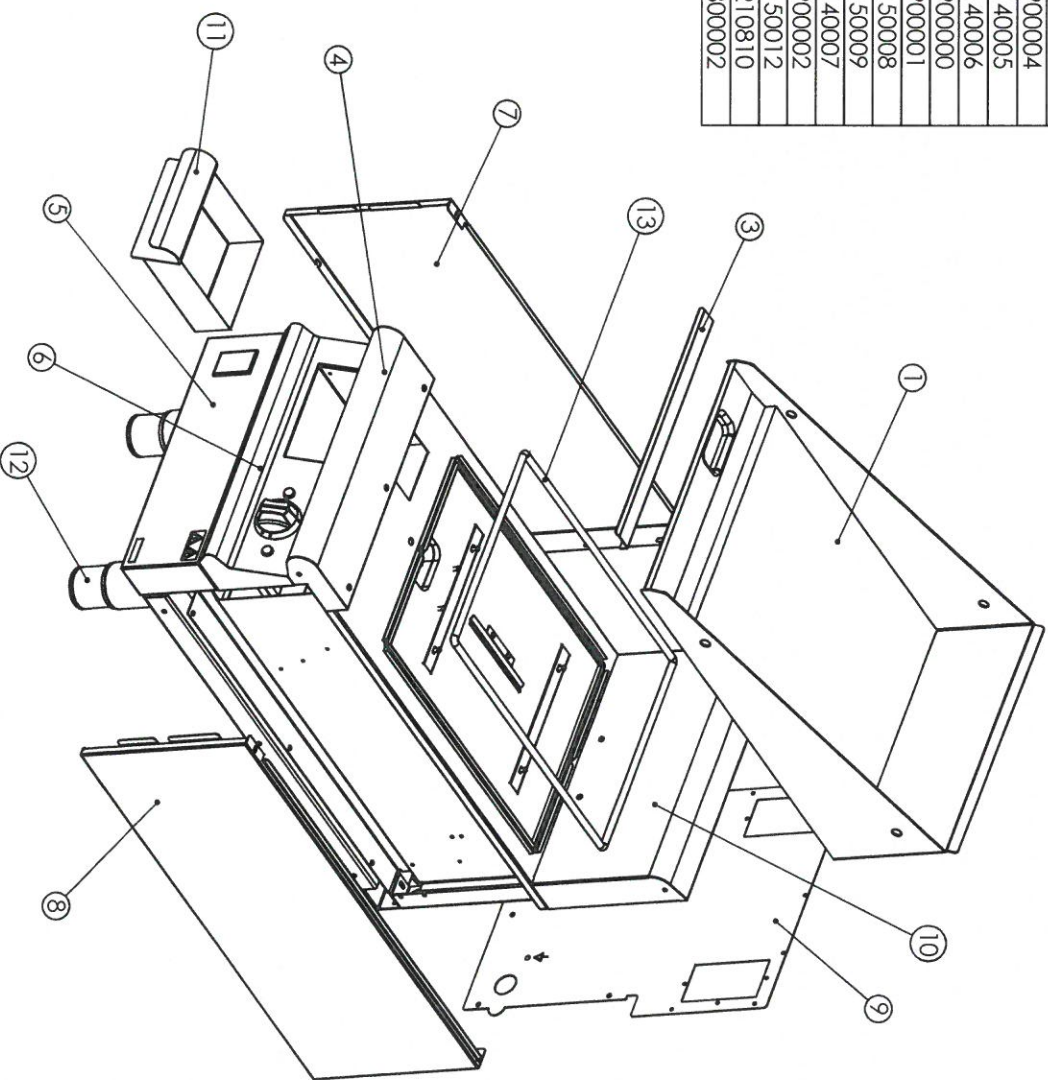


DOMINATOR PLUS

ITEM	DESCRIPTION	SPARES No
1-1	PLATE/ SPASHGUARD ASSY	735900003
1-2	RIBBED PLATE/ SPLASHGUARD ASSY(NOT SHOWN)	735900004
3	CAPPING CHANNEL	535140005
4	HOB ASSEMBLY	535140006
5	CONTROL PANEL	735900000
6	FRONT FACIA ASSEMBLY	735900001
7	OUTER SIDE LH	535150008
8	OUTER SIDE RH	535150009
9	OUTER BACK	535140007
10	OUTER FLUE	735900002
11	FAT JUG ASSEMBLY	535150012
12	ST/ ST ADJUSTABLE LEG	539210810
13	ROPE SEAL	535800002

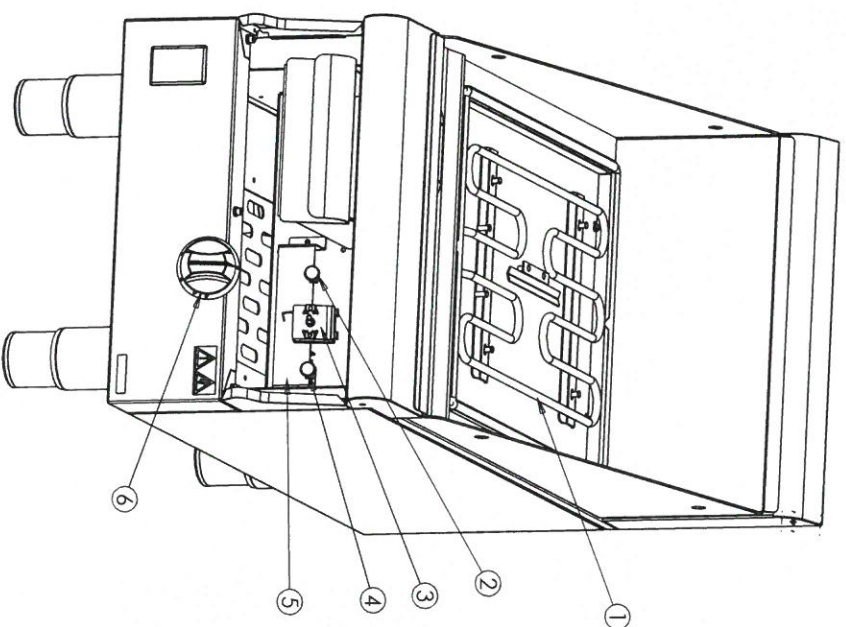


Issue	Alteration	Date	Product	Document Reference
A	Initial Issue	13/03/14	E3441/3441R	AD50161



DOMINATOR PLUS

ITEM	DESCRIPTION	SPARES NO
1	ELEMENT	539113100
2	RED NEON	730962010
3	OPERATING STAT	539113110
4	AMBER NEON	731740440
5	TERMINAL CONNECTOR	732910270
6	CONTROL KNOB	735850003



HOT PLATE AND CONTROL PANEL
HIDDEN TO SHOW ELECTRICAL
COMPONENTS

Issue	Alteration	Date	Product	Document Reference
B	Initial Issue	12/12/13	E3441/E3441R	BD50162

