



MODEL: **WS2-TX-BL**

# BASIX

manufactured by **MECHLINE**

BaSix WS2 Hand Wash Station with a pair of AquaTechnix LEVER taps

**Dimensions:** O/D: 305 x 270 x 140 Bowl: 240 x 135 deep

**Manufacturer:** Mechline Developments Limited.

**Brand:** BaSix.

**Model Range:** WS2

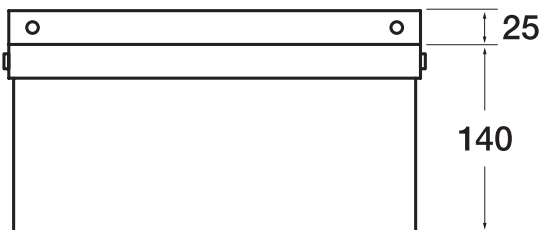
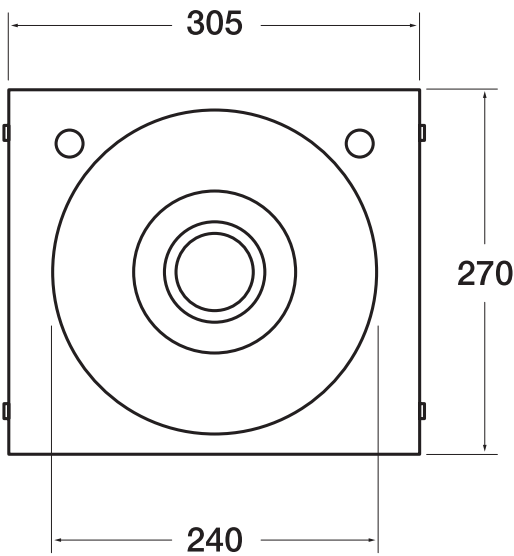
**Controls:** Lever.

**Tap Type:** AquaTechnix Lever.

**Accreditation:** WRAS.

### FEATURES & BENEFITS

- Range of hygienic hand washing solutions.
- Helps operations meet their requirement to provide hand-washing stations on site.
- Good and safe habits are more easily followed and enforced.



### MAINTENANCE & CLEANING

**Cleaning chrome:** Do not use abrasive, chlorine or acid-based cleaning products. Avoid contact with concentrated bleach.

Clean with soapy water using a cloth or sponge.

Dimensions are in millimeters. If a CAD file is required please visit [www.mechline.com](http://www.mechline.com).



# MECHLINE

MECHLINE DEVELOPMENTS LIMITED

Tel: +44 (0)1908 261511 | Email: [info@mechline.com](mailto:info@mechline.com) | Web: [www.mechline.com](http://www.mechline.com)