



OE8802 - Lincat Opus 800 Electric Free-standing Bratt Pan - W 900 mm - 12.0 kW

The Opus 800 electric Bratt Pan offers the flexibility of a 90°C to 240°C temperature range - it's up to you what you create in the enormous 80 litre space.

- ✔ Large 80 litre capacity
- ✔ Maximum flexibility, 90°C to 240°C temperature range to meet different cooking needs
- ✔ Large pouring spout and lip to avoid the risk of spillage
- ✔ 2mm thick stainless steel lid doubles as bench top workspace.
- ✔ Manually operated tilting mechanism with fold away handle

Specifications

Summary

Brand	Lincat
Range	Opus 800
Power Type	Electric
Unit Type	Free-standing
Available in UK Only	No
UK Warranty	2 Years Parts and Labour Warranty
Export Warranty	Contact your local dealer
GTIN	5056105102441

Power and Performance

Total Power kW	12.0
Temperature Range °C	90-240
IP Rating	IP34
Temperature Control	Mechanical

Capacity

Capacity Litres	80
------------------------	----

Weights and Dimensions

Unit Height (External) mm	900
Unit Width (External) mm	900
Unit Depth (External) mm	800
Net Weight Kg	145

Supply Connections

Requires Installation	Yes
Requires Electrical Supply	Yes
UK 3 Pin Plug	No
Requires Hardwiring	Yes
Electrical Supply Rating Watts	12,000
Single Phase Amps	52.2
Single Phase Voltage	230
Three Phase Amps	L1=17.4; L2=17.4; L3=17.4
Three Phase Voltage	400
Water Connection Pressure Bar	0.2-10.0
Water Connection	1/2"

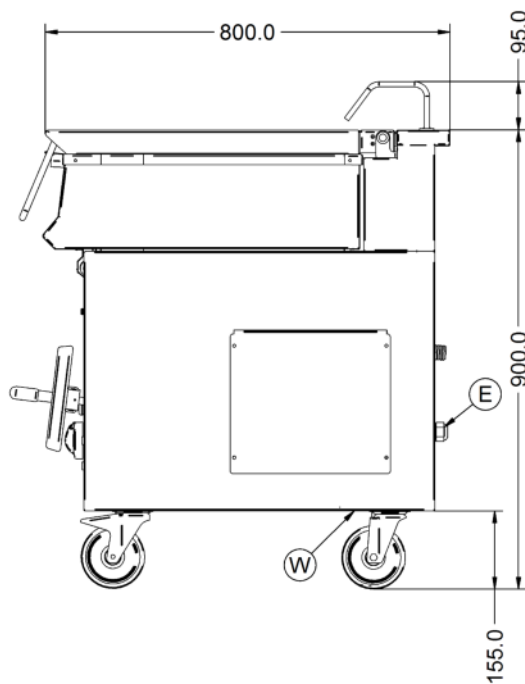
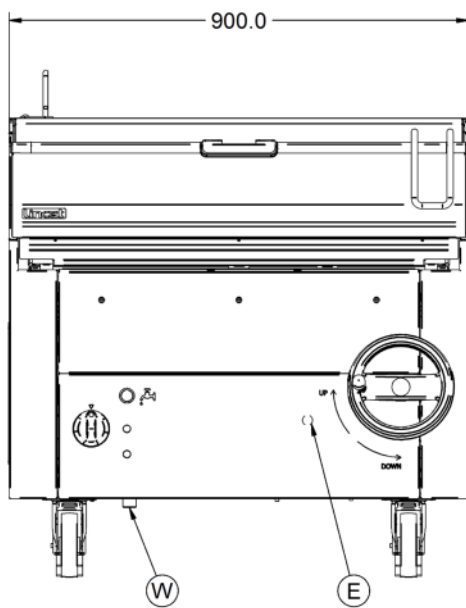
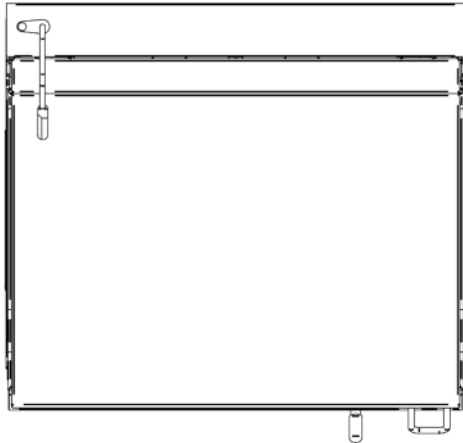
Shipping

Packed Weight Kg	159.5
Packed Height cm	104
Packed Width cm	100
Packed Depth cm	85

Available Accessories

LK06	OPUS 800 LEG KIT
------	------------------

Technical Picture



Lincat Limited

Whisby Road,
Lincoln, LN6 3QZ,
United Kingdom

Company No: 2175448

A member company of



Customer Care

Tel: +44 1522 875500
Email: care@lincat.co.uk

Export Customers

Tel: +44 1522 875536
Email: export@lincat.co.uk

Opening Hours

Monday – Friday:
8.30am – 5pm