



**Belling FWD8614 Whi
Washer Dryer User Manual**

Contents

1	Safety information		
	Safety information	3	
2	Getting to know your washing machine		
	Ready? Let's begin	5	
	Accessories	7	
3	Installing your washing machine		
	Installation requirements	8	
	Unpacking	8	
	Connections (electrical, water, gas)	9	
4	Functions		
	Functions	11	
5	Using your washing machine		
	First use of washing machine	15	
	Quick start	18	
6	Care and Maintenance		
	Cleaning	19	
	Technical specifications	21	
7	Product support		
	Troubleshooting		22
	Declaration of conformance to product standards		23
	Disposal		23

1



Safety information

Important - Please read these instructions fully before installing or operating

- If the supply cord is damaged, it must be replaced by the manufacturer, its service agent or similarly qualified persons in order to avoid a hazard.
- The new hose-sets supplied with the appliance are to be used and that old hose-sets should not be reused.
- This washer dryer is for indoor use only.
- The openings must not be obstructed by a carpet.
- This appliance can be used by children aged from 8 years and above and persons with reduced physical, sensory or mental capabilities or lack of experience and knowledge if they have been given supervision or instruction concerning use of the appliance in a safe way and understand the hazards involved.
Cleaning and maintenance shall not be made by children without supervision.
- This appliance is not intended for use by persons (including children) with reduced physical, sensory or mental capabilities, or lack of experience and knowledge, unless they have been given supervision or instruction concerning use of the appliance by a person responsible for their safety.
- Pull out its plug from the power socket before cleaning or maintenance.
- Make sure that all pockets are emptied before putting them into this machine, Shape and rigid items, such as coins, nails, screws or stones etc. may cause serious damage.
- Please check whether the water inside the drum has been drained before opening its door. Please do not open the door if there is any water visible.
- Pls keep the door closed when not in use to prevent pets and children climbing into the machine, always check the machine before every operation.
- Glass door may be very hot during the operation. Keep children and pets far away from the machine during the operation.
- Ensure that the installed power voltage frequency match those of washer dryer.
- Do not use any socket with rated current less than that of washer dryer. Never pull out power plug with wet hands.
- To ensure your safety the plug must be inserted into an earthed three-pole socket. Check carefully and make sure that your socket is correctly earthed.



Safety information

Important - Please read these instructions fully before installing or operating

- Children of less than 3 years should be kept away unless continuously supervised.
- Do not let kids play with the machine.
- Packing materials may be dangerous to the children . Please keep all packing materials (plastic bags,foams etc) far away from the children.
- Washer dryer should not be installed in bathrooms, wet rooms or rooms with explosive or caustic gases.
- Make sure that the water and electrical devices are connected by a qualified technician in accordance with the manufacturer's instructions and local safety regulations.
- Before operating this machine please remove all packaging and transport bolts must be removed, otherwise serious damage may occur.
- Before washing any clothes, please run your first washing process empty with detergent under the program "Cottons 90°C".
- The washer dryer with single inlet valve only can be connected to the cold water supply. The washer dryer with double inlet valves can be connected to the hot water and cold water supply.
- Your washer dryer is only for home use and is only designed for the textiles suitable for machine washing.
- Flammable and explosive or toxic solvents are forbidden. Gasoline and alcohol etc. Shall not be used as detergents. Please only select the detergents suitable for machine washing, especially for drum. It is forbidden to wash carpets.
- Be careful of burning when washer dryer drains hot washing water. Never refill the water by hand during washing.
- After the program is completed, Please wait for two minutes to open the door.
- If the appliance is not to be used for a prolonged period of time please unplug the appliance and isolate the water supply.
- Do not climb up and sit on top cover of the machine. Do not lean against machine door.
- Please do not close the door with excessive forces. If it is found difficult to close the door, please check if the excessive clothes are put in or distributed well.
- The household washer dryer isn't intended to be built-in.
- Cautions during moving/Re-positing the Machine
 1. Transport bolts shall be reinstalled to the machine by a specialized person.
 2. Any excess water should be drained out of the machine.
 3. Handle the machine carefully, the machine door cannot be used as lifting handle.
- Never hold each protruded part on the machine while lifting. Machine door can not be used as the handle during the conveyance.

2

Getting to know your washer dryer

You'll be up and running in no time

Ready? Let's begin...

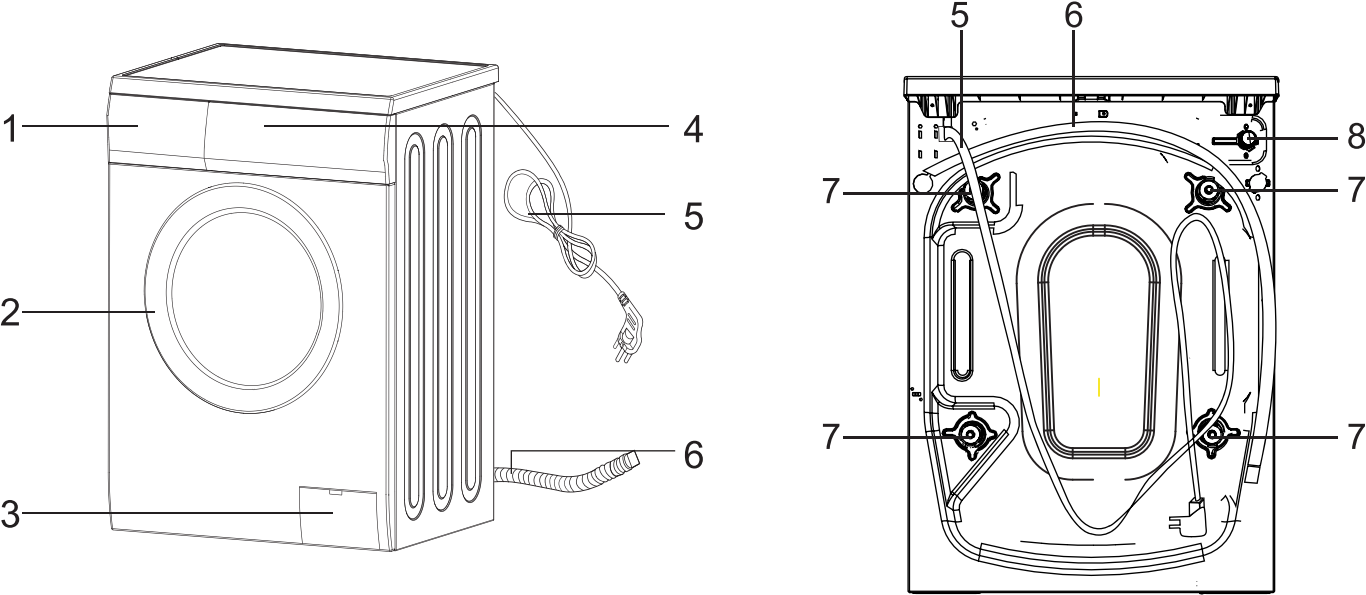
Please read these instructions carefully. They contain important information which will help you get the best from your washer dryer and ensure safe and correct installation and operation.

If you require any further assistance, our technical experts are happy to help. For full details, refer to the product support section at the end of these instructions.

Getting to know your washer dryer

You'll be up and running in no time

Component



1.Detergent Drawer

2.Door

3.Filter

4.Control Panel

5.Power lead

6.Drain hose

7.Transport bolt x 4

8.Water inlet

Getting to know your washer dryer

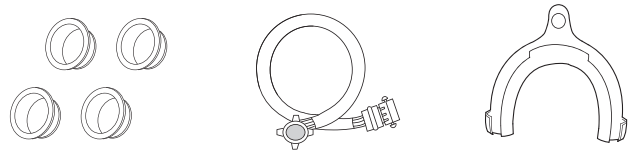
You'll be up and running in no time

Model	capacity	Spin Speed	Energy class
Belling FWD8614 Whi	8kg	1600rpm	A

Accessories

This machine includes below accessories, please install these parts by yourself before operating.

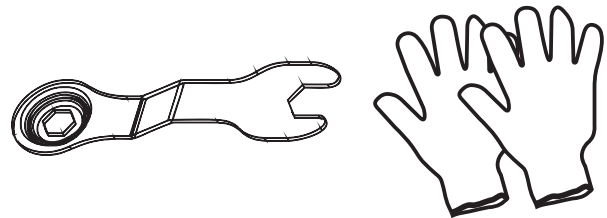
- plastic hole plug x 4
- Inlet hose
- Drain hose support



Tools

You may use this tools to help install above parts

- glove
- spanner



3 Installing your washer dryer

Bringing it all together

Installation requirements

- In addition to the instructions mentioned here, special regulations of the relevant water and companies may apply. If in doubt, have the washer dryer connected by a qualified technician.
- The washer dryer is heavy - caution when lifting it.
- Do not lift by projecting components (e.g. washer dryer door).
- Warning: Frozen hoses may tear/burst. Do not install washer dryer in outdoor areas or where there is a risk of frost. Please operate washer dryer above 0°C.
- Lay hoses and cables in such a way that there is no risk of tripping over them.

! An additional space (approximately 120mm) is required at the rear of the washer dryer. This is to allow enough space for the water hose and drain hose connections.

Unpacking

Unpacking your washer dryer

Caution: 2 people are required to unpack the washer dryer, it is recommended that gloves are worn.

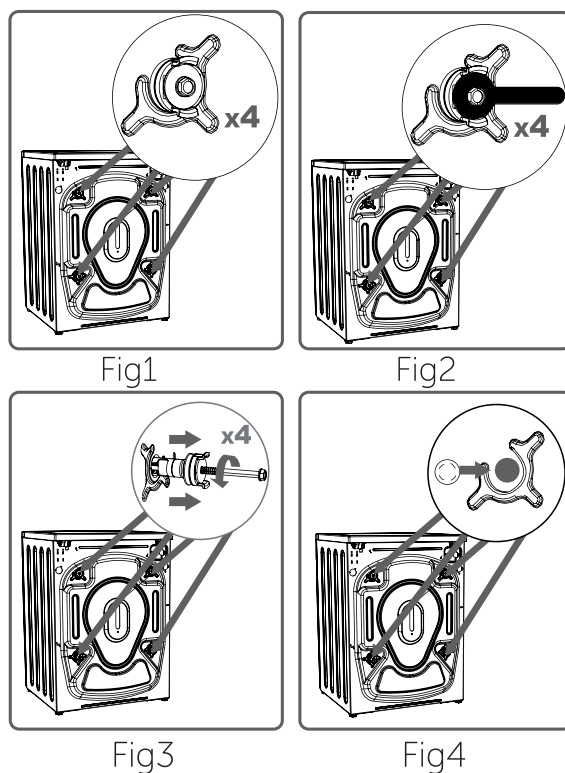
Carefully remove all packing materials including the foam base, dispose of correctly.

Note: When opened, water droplets may be visible in the drum etc. this is normal as each appliance is tested before delivery.

Removing the transport bolts

Important: The transport bolts are designed to support the internal components during transit these MUST be removed before use.

- 1:** Loosen the screws by rotating counterclockwise with a suitable wrench, (Fig 1 2)
- 2:** Remove the bolts by pulling them. (Fig 3)
- 3:** When the transport bolts have been removed, insert the plastic transport screw taps found in the accessories bag into the holes. (Fig 4)



Levelling feet

1: For your machine to work efficiently with minimum vibration it should be settled on flat, nonslippery, firm ground.

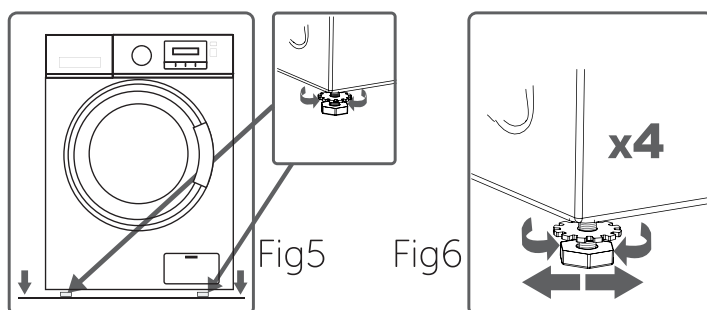
2: You can adjust the balance of your machine by changing the positioning of its feet.

3: First, loosen the plastic adjustment nut. (Fig 5)

4: Adjust by rotating the feet upwards or downwards. (Fig 6)

5: After the desired position has been reached, tighten the plastic adjustment nut again by rotating it upwards.

Note: Never put cartons, wooden blocks or similar materials under the machine to balance irregularities in the level of the ground.



Installing your washer dryer

Bringing it all together

Connections

Water inlet hose connections

Important: This washer dryer MUST only be connected to a cold water supply.

1: Connect the water inlet hose, the angled connection attaches to the water inlet on the back of the washer dryer. (Fig 7)

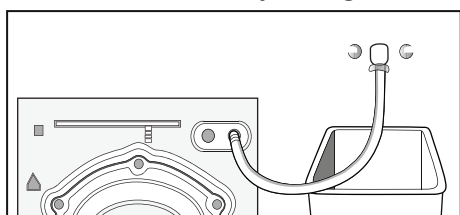


Fig7

2: The straight connection attaches to the water supply valve. (Fig 8)

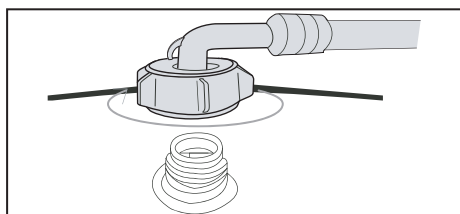


Fig8

3: Ensure all seals are in place before connecting.

Important: Only tighten the hose connection nut by hand - do not overtighten.

Drain hose connections

Important: The height of the top of the curve in the drain hose MUST be between 60 - 100cm from the floor. (Fig 9)

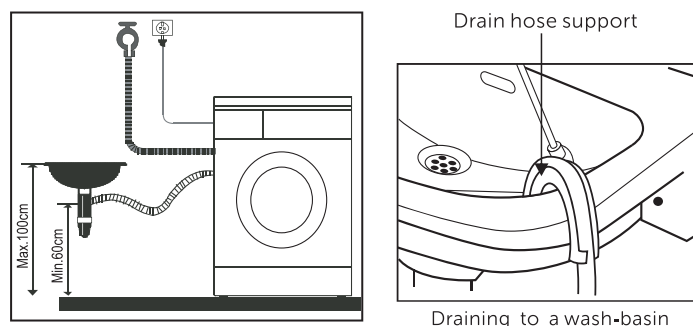


Fig9

Drain hose can be fitted to the drainer or a wash basin.

Electrical



Any electrical work that is required to install this appliance MUST be carried out by a qualified electrician.



Warning: THIS APPLIANCE MUST BE EARTHED

Before making any electrical connections, ensure that:

- Electrical safety is only guaranteed when the earth system of your house is in accordance with the related local regulations.
- Do not bend, stretch or pull the supply cable to avoid electric shock.
- Ensure the power socket is suitable for the maximum power of the machine (fuses in the power circuit must be 13 amp).
- The supply voltage should be the same as that indicated in the technical specifications and the appliance rating plate.
- The appliance should be earthed and in compliance with the applicable law.
- When installed, the power socket must be within easy reach.
- If the socket outlets in your home are not suitable for the plug supplied with this unit check with a qualified electrician for replacement.
- To avoid the risk of overloading your plug socket, the use of adapters, multiple connectors or extension cables are not recommended.
- The appliance must be connected to a 220-240 volt 50Hz AC supply by means of a three pin socket, suitably earthed and protected by a 13 amp fuse.
- Should the fuse need to be replaced, a 13 amp fuse approved to BS 1362/A must be used.
- The plug contains a removable fuse cover that must be refitted when the fuse is replaced. If the fuse cover is lost or damaged, the plug must not be used until a replacement cover has been fitted or the plug is replaced.
- A damaged plug should be cut off as close to the plug body as possible, the fuse should be removed and the plug disposed of safely.

Installing your washer dryer

Bringing it all together

Plug replacement (UK & Ireland only)

Should you need to replace the plug; the wires in the power cable are coloured in the following way:

Blue - Neutral 'N'

Brown - Live 'L'

Green & Yellow - Earth 'E'

As the colour of the wires in the power cable may not correspond with the coloured markings identifying the terminals in your plug, and proceed as follows (Fig10):

The green & yellow wire must be connected to the terminal in the plug that is marked with the letter E or by the earth symbol.

The blue wire must be connected to the terminal that is marked with the letter N.

The brown wire must be connected to the terminal that is marked with the letter L.

If power supply cord is damaged, it must be replaced by the manufacturer or its service agent or a similar qualified person in order to avoid a hazard.

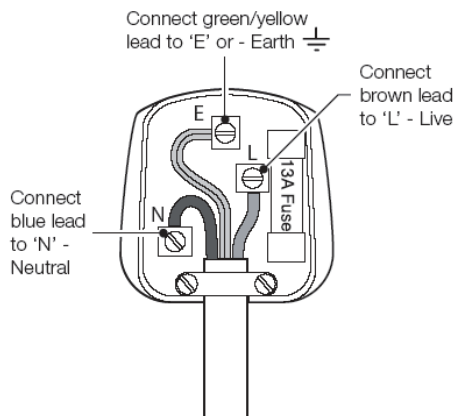


Fig10

4 Functions

Simple everyday use

Introduction of control panel

Speed

1600:400-800-1200-1400-1600

The control panel features a central digital display showing '0:00'. Above the display are icons for Delay, Dry, Temp., Speed, and Function. Below the display are icons for My Wash, 1 Hour W/D, Synthetic, Rapid 45', Quick 15', Dry Only, Spin Only, and Rinse+Spin. To the right of the display are icons for Cotton, Cotton Eco, Baby Care, Delicates, Mix, Wool, Colours, and Jeans. At the bottom are icons for ON/OFF and START/PAUSE. A 'Sensicare' logo is positioned above the central display area.

On/Off

Press once to turn the washing machine on, press again to turn the washer dryer off.

Programme

For the convenience of users to washing clothes with the different programme.

Function setting

Press the button repeatedly to set the delaying time Temp., speed and so on.

Start/Pause

Press the button to start or pause the wash cycle

Notes:

- 1.The Control panel line chart is for reference only, Please refer to real product as standard.
- 2.The Control panel could be changed without written notice. Please visit the website of washer dryer or call up the service line for consultation.
- 3.When the lights of Speed (400,800,1200,1400,1600) are off means the speed is 0.

Functions

Simple everyday use

Introduction of control panel

Turning the machine on

Plug in your machine. Place the laundry in the machine and add detergent and softener. Press the "on/off" button.

program selection

First, switch the program knob to select suitable program according to the types of textiles.

Second, select a proper temperature by following the care instructions on the clothes.

Last, select the proper spin speed.

Generally, the higher temperature will consume more energy; the higher spin speed will cause more noise.

PLEASE NOTE: to protect the delicate clothes, the lower spin speed shall be selected.

The main washing procedures depend on the types of the clothes to be washed as follows:

Main program

Depending on the type of textile, the following main programs are available: Each of these main programs comprise of a complete washing process, including washing, rinsing and, if required, spin cycles.

• Cotton

Suitable for textiles made of cotton or linen, for example coats, bed sheets, towels, etc.

• Cotton ECO

This is the most energy efficient programme to clean all kinds of soiled cotton laundry.

• Baby Care

You can select this procedure to wash your baby's clothes, it can make the baby's wear cleaner and make the rinse performance better to protect the baby skin.

• Synthetic

You can select this procedure to wash the quite delicate clothes. The procedure is shorter compared with that for cottons and the washing movement is quite gentle. It is recommended to wash synthetic articles, for example: shirts, coats, blending, the procedure "Synthetic" shall be selected. While washing the knitting textiles, detergent quantity shall be reduced due to its loose string construction and easily forming bubbles.

• Delicate

You can select this procedure to wash your delicate clothes. Its washing movement is gentler and spin speed is less compared with the procedure "Synthetic". It is recommended for the articles to be washed softly.

• Wool

You can select this procedure to wash the wool textiles labeled with "Machine Wash". Please select the proper washing temperature according to the label on the articles to be washed. Furthermore, the proper detergent shall be selected for wool textiles.

• Colours

You can choose the program washing brightly coloured clothing, it can protect the bright colour better.

• Spin Only

Separate spin only procedure. Soap water or rinse water shall be drained out before spinning.

• Quick 15'

This procedure is suitable for washing few and not very dirty clothes quickly.

• Rinse&Spin

Separate Rinse&Spin Procedure.

• 1 Hour W/D

For small synthetic clothes or shirts, load limitation is 1 kg (about 4 shirts). When you have an urgent appointment but no more clean shirt left in your cupboard, this program will help you. Time duration is only 1 hour including wash and dry. Remark: Big towels or jeans is not suitable for this program, they will enlarge the time duration and affect the moisture content.

• Mix

This program is suitable for daily wash. Cotton / Synthetic / Jeans / Kids textiles can all be mixed and washed together with like colours. Do not use this programme for wool and delicate clothes such as silks.

Functions

Simple everyday use

Introduction of control panel

- **Rapid 45'**

Washing few and not very dirty clothes quickly.

- **Jeans**

This program is specially designed for washing jeans.

- **Dry Only**

Select it to dry clothes, the temperature is different. The drying time according to the load.

- **My Wash**

Press the button "Temp." 3sec. for my wash to memory the procedure. The default my wash is cotton.

Auxiliary function

These functions can be used based on main program, you can press these functions after you chose the main program.

Note: you can't use these functions after the main program started.

- **Prewash** 

The indicator of prewash will light up on the display.

The Prewash function can get an extra wash before main wash.

- **Extra Wash** 

Very dirty clothes can choose it, select it can increase the washing time and intensity to increase the washing effect.

- **Time Saver** 

The function can decrease the washing time.

- **Extra Rinse** 

The laundry will undergo extra rinse once after you select it.

- **less Iron** 

It can be used to reduce the wrinkles of clothes.

- **Delay** 

Delay function can be set with this button, the delaying time is 0-24 H.

Set the Delay function:

1. Select a programme;
2. Press the Delay button to choose the time;
3. Press Start/Pause to commence the delay operation.

Cancel the Delay function: Press the Delay button until the display will be 0H. It should be pressed before starting the program. If the program already started, should press the On/Off button.


Notes: If there is any break in the power supply while the machine is operating, a special memory stores the selected programme and when the power is restarted, press the Start/Pause button the left time is continues.


- **Dry** 

Press the Dry button continuously to choose the dry level: Extra Dry/Normal Dry/ Gentle Dry/Air Dry.

 Extra Dry: Need to wear clothes immediately, we can choose this function.

 Normal Dry: The normal dry procedure.

 Gentle Dry: Only to dry slightly and then is just ok.

 Air Dry: Clothes is roated to remove peculiar smell without water in high temperature.

- **Plus Wash**

This function can be used to add any items that have been missed from the wash load once the wash cycle has started.

To operate this function please follow the steps below:

1. Press and hold the "Start/Pause" button for 3 seconds.
2. Wait for the drum to stop rotating and the door lock to be released.
3. Open the door and add the garments that have been missed.
4. Close the door and repress the "Start/Pause" button.

- **Child Lock** 

To avoid that the washing procedure cannot operate normally due to the mis operation by kids during the washing procedure, you can select this function, In this case, the other buttons except On/Off button can not work, at this state, the machine power off when press the key on/off. The machine remembers the program child lock and the program during powered off when press the key on/off again.

Press Function and Select together 3 seconds during the running procedure, the buzzer will beep, Start/Pause button as well as the rotary switch are locked. Press the two buttons for 3 seconds together and buzzer will beep to release to locking. But cut off the power supply, the kid's protection is also release to locking. The kid's protection will not be cancelled after all procedures are completed.

- **Bubble Removal Function**

Bubble Check Function: Redundant bubbles will occur when there is excessive detergent, which will affect wash and rinse effects. The procedure will check automatically and one bubble removal procedure will be added automatically to remove bubbles when excessive bubbles are checked.

Functions

Simple everyday use

Program Selection Guide - 8kg Wash / 6kg Dry Washer Drye(Belling FWD8614 Whi)

Procedure Description	Load(kg)	Detergent Box			Delay	Prewash	Intensive wash	Time saver	Extra rinse	Less iron	Default Temp. (°C)	Default Time (H)		Default Speed (RPM)
		Case I	Case II	Softener Case								8.0kg	1600	
Cotton	8.0/6.0	○	●	○	○	○	○	○	○	○	40	2:40	800	
Cotton ECO □	8.0	×	●	○	○	×	×	×	×	×	60	4:29	1600	
1Hour W/D	1.0	○	●	○	○	×	×	×	×	○	Cold	0:59	1400	
Jeans	8.0	○	●	○	○	○	×	○	○	○	60	1:45	800	
Colours	8.0	×	●	○	○	×	×	○	○	○	Cold	1:10	1200	
Mix	8.0/6.0	○	●	○	○	○	○	○	○	○	40	1:13	800	
Wool	2.0	×	●	○	○	×	×	×	○	○	40	1:17	800	
Rinse&Spin	8.0	×	×	○	○	×	×	×	○	○	—	0:20	1200	
Dry Only	-/6.0	×	×	×	○	×	×	×	×	×	—	3:39	1400	
Spin Only	8.0	×	×	×	○	×	×	×	×	○	—	0:12	1200	
Delicate	2.5	×	●	○	○	×	×	×	○	○	30	0:50	800	
Quick15'	2.0	×	●	○	○	×	×	×	×	×	Cold	0:15	800	
Rapid45'	2.0	○	●	○	○	○	×	×	○	○	40	0:45	800	
Baby Care	8.0/4.0	○	●	○	○	○	○	○	○	○	30	1:20	800	
Synthetic	4.0	○	●	○	○	○	○	○	○	○	40	1:40	800	

- Half load for 8.0Kg machine:4.0Kg.

1) Test wash cycle in compliance with directive 2010/30/EU : Set Cotton ECO with temperature of 60°C

- This cycle is designed for cotton loads with a normal soil level and is the most efficient in terms of both electricity and water consumption; it should be used for garments which can be washed at 60°C. The actual washing temperature may be differ from the indicated value.

2) Test wash cycle in compliance with directive 2010/30/EU : Set Cotton ECO with temperature of 40°C

- This cycle is designed for cotton loads with a normal soil level and is the most efficient in terms of both electricity and water consumption; it should be used for garments which can be washed at 40°C. The actual washing temperature may be differ from the indicated value.

● Means must ○ Means optional × Means not necessary

Note : Water and power consumption and programme duration may differ from the table shown, subject to changes in water pressure, water hardness and temperature, ambient temperature, type and amount of laundry, selection of auxiliary functions, and fluctuations in the supply voltage.

5 Using your washer dryer

Getting the most from your appliance

Organising Laundry

- Read the washing label on each garment to help you sort your washing into different loads.
- Sort the laundry by colour, type of fabric and by how soiled it is. This will help you choose the correct programme and temperature for each wash.

Normal wash Gentle wash 	 Warm wash (max 40°C)	Hand wash Do not wash 	Bleach Do not bleach 	Chlorine bleach may be used Chlorine bleach not be used 	Tumble dry, Medium (max 150°C) Tumble dry, Low heat (max 110°C)
------------------------------------	-----------------------------	----------------------------------	---------------------------------	--	--

Iron Do not iron 	Cool iron(max 110°C) Warm iron,medium (max 150°C) 	Dry clean Do not dry clean 	Dry clean normal cycle with any solvent Dry clean normal cycle petroleum solvent only 	Tumble dry normal Dry flat 	Drip dry Hang to dry /Line dry
-----------------------------	---	---------------------------------------	--	---------------------------------------	--

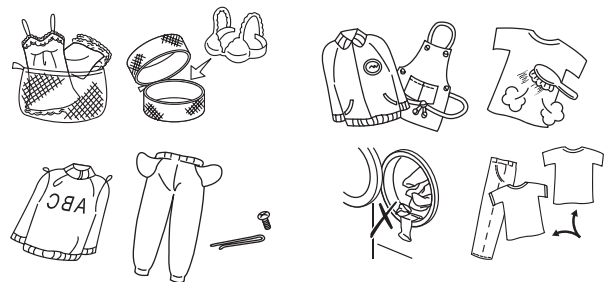
Iron with cloth Steam Iron 	Dry after wash Line Dry in shade 	Warmly dry clean Do not tumble dry 	Line Dry 	No Wring 	No machine wash
---------------------------------------	---	---	--------------	--------------	---------------------

- Do not exceed the maximum load! See the programme selection table for the maximum load for the programme you require.

Fiber Type	Maximum Loading Capacity
Cotton	80kg
Synthetic	4.0kg
Wool	2.0kg
Delicate	2.5kg

Preparing Laundry

- Treat stains before washing.
- Some items should be put into a cleaning net before going into the washer dryer i.e. bras with metal wires, tights and lace clothing to prevent damage.
- Check that pockets do not contain any objects which may damage your clothes and the washer dryer.
- Tie up any loose strings on laundry, close zippers and reverse clothing with zips inside out.
- To prevent any large, heavy objects (e.g., buckles, large buttons, etc.) from hitting the glass door, turn your clothing inside out, or remove the heavy objects. These could damage your laundry or the washer dryer.
- Remove any surplus hair, animal fur, sand, and other materials with a brush before washing.
- If clothes have raised fabric turn them inside out.
- Clothes that are not colour fast should be washed separately.
- Insert your clothes into the washing machine.
- Close the washer dryer door. Ensure that you do not trap any items of clothing between the loading door and the rubber seal.



Using your washer dryer

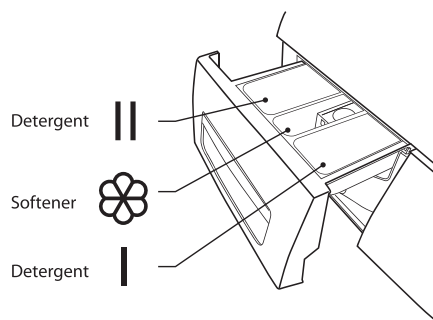
Getting the most from your appliance

Adding Detergent and Softener

- Add detergent into the appropriate dispenser.
- Apply softener before you start washing.
- Apply detergent and softener according to the washing amount, the soiling level, the water hardness in your area and the manufacturer's instructions of these products.



Dilute viscous fabric softener and fabric conditioner with water. Prevent blockage of the overflow. Maximum level is 40ml.



- Do not use the washer dryer when the detergent drawer is removed. It may cause a water leak or it may not work normally.
- If you forget to add detergent, you can drain the washer dryer by running a drain only programme. Then you can add detergent and start the programme again.
- Detergent only reaches the drum when water flushes through the detergent drawer.
- To prevent powder detergent staying in the drawer, dry the inside of the drawer with a cloth. Make sure the powder isn't lumpy when you add it into the drawer.
- If the rinse cycle isn't removing all the detergent from your wash, use less detergent.
- Softener should not exceed the MAX level in the compartment.

Wash out unused softener with a splash of water or a damp cloth after the programme has finished.

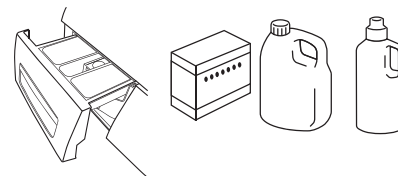
Before First Use

- Prior to the first use of the appliance, it is recommended to run a wash programme without clothes. A small amount of washing detergent should be used.

Wash Setting

Standard Washing

1. Pull the door handle and put the laundry in the drum. (Refer to Preparation to sort your laundry before it goes into the drum.) Make sure no washing gets caught in the door.
2. Close the door and press the On/Off button.
3. Turn the Programme selection dial to select your wash programme.
4. Select the temperature if desired.
5. Add detergent into the detergent drawer. The quantity of detergent will depend on the amount of laundry, the degree of soiling and the water hardness. Use the amount of detergent suggested on the packaging.
6. Press the Start/Pause button to start the washing.
7. The washer dryer will sound when the programme is complete.



If the door is locked and you switched the washer dryer off and then on - or if there's a power cut - it will stay locked for 1 minute.

Using your washer dryer

Getting the most from your appliance

Removing Washing (Once programme is finished)



Door remains locked for 1 minute after wash stopped.

- Open the washer dryer door and remove your washing.
- Remove any foreign objects to avoid risk of rusting.
- Leave the door and detergent drawer open so that residual water can evaporate.

1.Changing the selection after the program started?

If you need to change a setting after the wash has started, press on/off, then on/off again, Re-select the program, spin speed and optional functions, and then press the Start / Pause button. (Ensure the Child Lock is off, otherwise the original program will continue.)

2.Door lock

The icon lock will light up automatically once the program start. The door lock icon will fade out as soon as the program end and the door will be allowed to open automatically.

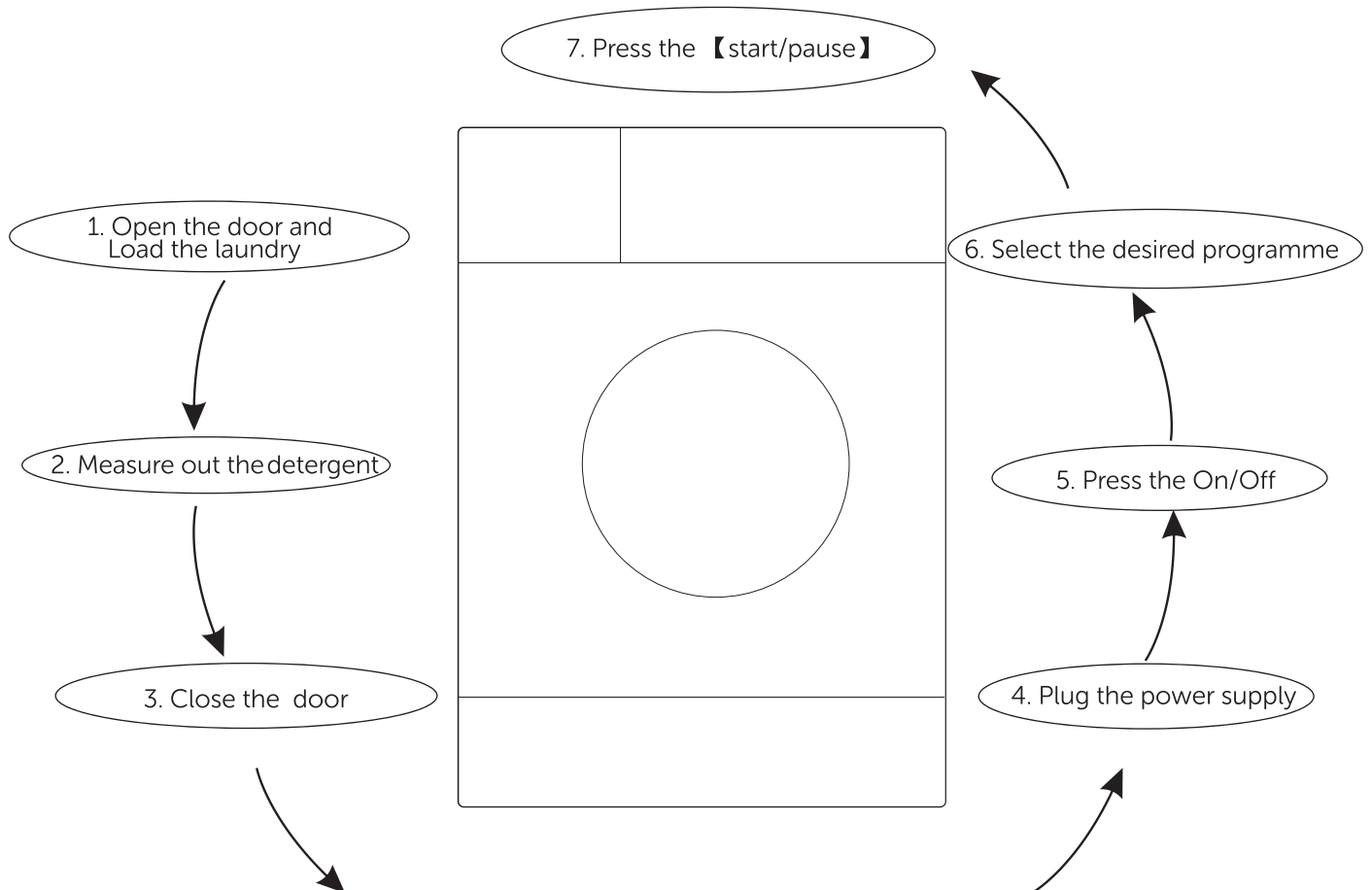
3.End of program

It will sound for 5 seconds after the end of program and the display will indicate "end" icon.

Using your washer dryer

Getting the most from your appliance

Quick start



After washing :

- 1.The washer dryer will sound several times for 5 seconds.
- 2.It is recommend to close the water tap and pull out the power plug.;

6 Care and maintenance

Looking after your appliance

Before your maintenance starts, please do pull out the power plug or disconnect power and close the tap.



- Do not use solvents clean to avoid that the washer dryer, it will damage, and toxic gases are generated or exploded.
- Do not use the detergents containing PCMX to clean the washer dryer.

Cleaning and Maintenance of Washer Dryer Cabinet

- Proper maintenance on the washer dryer can extend its working life. The surface can be cleaned with diluted nonabrasive neutral detergents when necessary. If there is any water overflow, use the wet cloth to wipe it off immediately.

- No sharp items are allowed to strike the cabinet.

Notes: Do not use formic acid and its diluted solvents or equivalent .

Clean Internal Drum

- The rusts left inside the drum by the metal articles shall be removed immediately with chlorine-free detergents.

- Never use steel wool.

Defrost a Frozen Washer Dryer

When the temperature drops below zero and your washer dryer gets frozen, you may:

1. Disconnect the power supply for the washer dryer.
2. Wash the tap with warm water to loosen inlet pipe.
3. Take down inlet pipe and immerse it in warm water.
4. Pour warm water into washing drum and wait for 10 minutes.
5. Reconnect inlet pipe to the tap and check whether inlet and outlet are working normally.

Notes: when the washer dryer is reused, make sure the ambient temperature is above 0°C

Anti-freeze

If your washer dryer is located in the room where it can get frozen easily, please drain the remaining water inside drain pipe and inlet pipe thoroughly.

Remove the remaining water in inlet pipe:

1. Close the tap.
2. Screw off the inlet pipe from tap and put its end into the container.
3. Start up any procedure except single Wash or Drain procedure. Water will be drained out of inlet pipe if any for about 40 seconds.
4. Reconnect the inlet pipe to tap. Remove the remaining water in drain pump(Fig11).

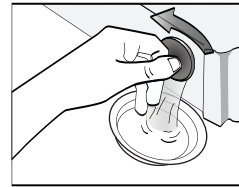


Fig 11

Clean detergent drawer and grooves

1. Press down the arrow location on softener cover inside the drawer.
2. Lift the clip up and take out softener cover and wash all grooves with water.
3. Restore the softener cover and push the drawer into position.

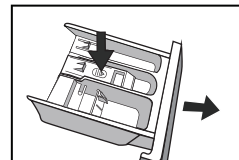


Fig 12

Clean inlet filter

Inlet filter shall must be cleaned if there is not any or insufficient water in when the tap is opened.

Clean the tap filter:

1. Close the tap.
2. Select any procedure except "Wash" or "Drain" procedure.
3. Press the button "Start/Pause" and keep the procedure running for about 40 seconds.
4. Remove the inlet pipe from the tap.
5. Use water to wash the filter.
6. Reconnect the inlet pipe. Washing the filter in washer dryer:

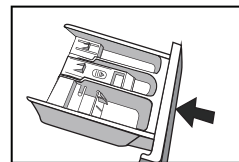


Fig 13

1. Screw off the inlet pipe from the backside of the machine.
2. Pull out the filter with long nose pliers and reinstall it back after being washed.
3. Reconnect the inlet pipe.
4. Open the tap and make sure there is no water leakage.
5. Close the tap.

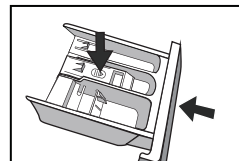


Fig 14



Fig 15

Care and maintenance

Looking after your appliance

Notes: Generally, the tap filter is washed first and then the filter in washer dryer will be washed.

If only the filter in washer dryer is washed, then the steps 1~3 in cleaning the tap filter shall be repeated (Fig16,17) .

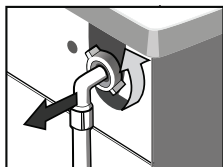


Fig 16

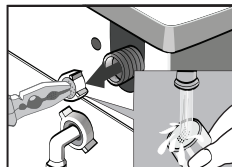


Fig 17



Pull out the power plug to avoid electrical shock before washing.

After using the washer dryer, remove all the clothes and close the door tightly.

Remove foreign matters

Drain Pump Filter:

Drain pump filter can filter the yarns and small foreign matters from the washings.

Clean the filter periodically to ensure the normal operation of washer dryer.

According to the soil level within the cycles and the frequency of the cycles, you have to inspect and clean the filter regularly.

The pump should be inspected if the machine does not empty and/or spin; The machine makes an unusual noise during draining due to objects such as safety pins, coins etc. blocking the pump.

Clean the pump filter :

1. After the power is disconnected, use hand to open the filter cover (Fig18).

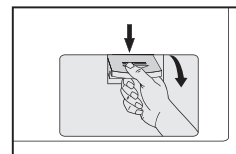


Fig 18

2. Turn the filter down as shown with the figure and take out sundries matters (Fig19) .

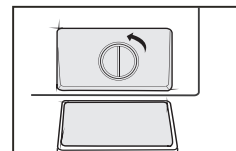


Fig 19

3. Reinstall each part back after sundries matters are removed (Fig20) .

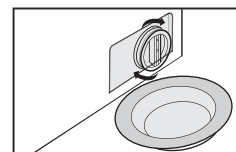


Fig 20


Warning!

When the appliance is in use and depending on the programme selected there can be hot water in the pump. Never remove the filter during a wash cycle, always wait until the appliance has finished the cycle, and is empty. When replacing the filter, ensure it is securely re-tightened.

Care and maintenance

Looking after your appliance

Technical specification

Brand	Belling
Type/Description	Belling FW8614 Whi
Capacity	8kg
Spin Speed	1600 rpm
Energy efficiency class	A
Annual energy consumption(never using the dryer)	208 kWh/annum
Annual energy consumption(using the dryer)	1088 kWh/annum
Power consumption of off-mode	0.5W
Annual water consumption(never using the dryer)	12800L/annum
Annual water consumption(using the dryer)	20800L/annum
Spin-drying efficiency class	A
Standard washing cycle	Cotton ECO 
Energy consumption of the Cotton ECO 60°C at full load(Washing)	1.04 kwh/cycle
Energy consumption of the Dry at full load(Drying)	4.4 kwh/cycle
Energy consumption of per cycle(to wash and dry a full capacity wash load at 60°C)	5.44kwh/cycle
Programme duration of the Cotton ECO 60°C at full load(Washing)	300 min
Programme duration of the Dry at full load(Drying)	390 min
Water duration of the Cotton ECO 60°C at full load(Washing)	64 L/cycle
Water consumption of the Dry at full load(Drying)	40 L/cycle
Water consumption of per cycle(Total)	104 L/cycle
Remaining moisture content of the Cotton ECO 60°C at full load(Washing)	44%
Remaining moisture content of the Dry at full load(Drying)	0 %
Noise level of washing	56dB (A)
Noise level of spinning	78dB (A)
Noise level of drying	62dB (A)
Mounting	Free standing
Height	850 mm
Width	595 mm
Depth	470 mm
Power consumption	1900W
Rate voltage/frequency	220-240V~/50Hz
Water pressure	0.05-1 MPa

7

Product support

Help is always at hand

Troubleshooting

1. Washer Dryer does not operate ?

You can check if the door is closed tightly, power plug is inserted well and then press start/pause button.

2. Washer Dryer does not receive water ?

You can check if the water tap is opened and clean the filters of water inlet hose.

3. Washer Dryer is not draining water ?

You can check the drain hose and clean pump filter.

4. Washer Dryer is vibrating ?

You can check if the feet are adjusted well and make sure transportation screws are removed.

5. The washing result is poor ?

You can select suitable program and use more detergent.

6. No water is seen in the drum during washing ?

No failure. The water is in the lower part of the drum.

7. There are residues of detergent on the clothes ?

Some detergents contain ingredients which are not soluble in water and which may form white stains on your clothes. Please adjust your machine, carry out an additional rinse, or eliminate the stains after drying, with a brush.

8. There are grey stains on the clothes ?

These stains may be caused by oil, cream or ointment. In the next washing operation, use the maximum detergent amount declared by the detergent producer.

Product support

Help is always at hand



This appliance complies with the following EEC directives:
2014/35/EU low voltage directive
2014/30/EU EMC directive
2009/125/EC EU Directive

Notes on disposal:



This marking indicates that this product should not be disposed with other household wastes throughout the EU. To prevent possible harm to the environment or human health from uncontrolled waste



disposal, recycle it responsibly to promote the sustainable reuse of material resources. To return your used device, please use the collection systems or contact the retailer where the product was purchased. They return and can take this product for environmental safe recycling.

Belling Customer Care

Please keep this handbook in a safe place.

Please fill in the model number and serial number in the spaces provided below as they will assist us should you need to call.

0844 815 3746

When you dial this number you will hear a recorded message and be given a number of options. This indicates that your call has been accepted and is being held in a queue. Calls are answered in strict rotation as our Customer Care Representatives become available.

Enter appliance numbers here for future reference:

Model No								
Serial No								

These numbers can be found on your appliances.
Outside the UK and Northern Ireland, refer to your local supplier.



Stoney Lane, Prescot, Merseyside, L35 2XW