



Coffee Machine

Instruction manual



**Model • Modèle • Modell • Modello • Modelo • Malli:
CW306**

Safety Tips

- Position on a flat, stable surface.
- A service agent/qualified technician should carry out installation and any repairs if required. Do not remove any components on this product.
- Consult Local and National Standards to comply with the following:
 - Health and Safety at Work Legislation
 - BS EN Codes of Practice
 - Fire Precautions
 - IEE Wiring Regulations
 - Building Regulations
- DO NOT use jet/pressure washers to clean the appliance.
- DO NOT immerse the appliance in water.
- Do not overfill the water reservoir. (When fully filled, the “full” indicator light will illuminate.)
- Ensure the power cord never touches the hotplate.
- **DO NOT touch hot surfaces.**
- DO NOT touch the hotplate when the appliance is on.
- DO NOT leave the appliance unattended during operation.
- DO NOT remove the filter basket during the filtration process.
- Never leave the empty glass jug on the hotplate when the coffee maker is on. Otherwise, the carafe is liable to crack.
- DO NOT place on or near hot surfaces such as a hob or radiant rings or near a naked flame.
- Suitable for indoor use only.
- Always switch off and disconnect the power supply to the appliance when cleaning or not in use.
- Never use accessories which are not recommended by the manufacturer. They could pose a safety risk to the user and might damage the appliance. Only use original parts and accessories.



- This appliance must only be used in accordance with these instructions and by persons competent to do so.
- This appliance is not intended for use by persons (including children) with reduced physical, sensory or mental capabilities, or lack of experience and knowledge, unless they have been given supervision or instruction concerning the use of the appliance by a person responsible for their safety.
- Children should be supervised to ensure that they do not play with the appliance.
- Keep all packaging away from children. Dispose of the packaging in accordance to the regulations of local authorities.
- If the power cord is damaged, it must be replaced by an BUFFALO agent or a recommended qualified technician in order to avoid a hazard.
- Buffalo recommend that this appliance is PAT tested on an annual basis to ensure the product remains safe.

Introduction

Please take a few moments to carefully read through this manual. Correct maintenance and operation of this machine will provide the best possible performance from your BUFFALO product.

Pack Contents

The following is included:

- Buffalo Filter Coffee Maker
- Filter basket
- 2.3Ltr Airpot
- Instruction manual

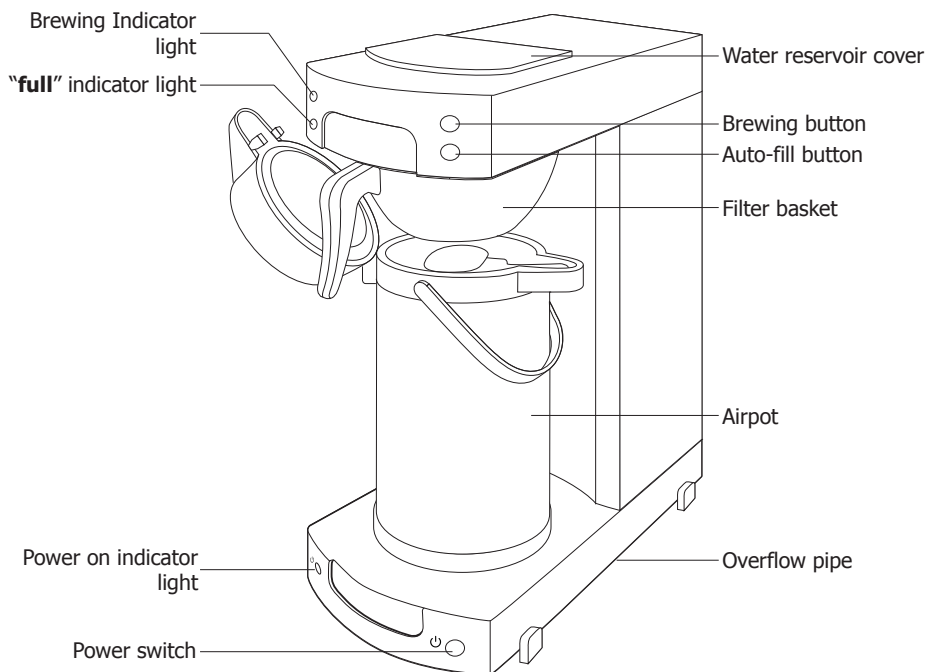
BUFFALO prides itself on quality and service, ensuring that at the time of packaging the contents are supplied fully functional and free of damage.

Should you find any damage as a result of transit, please contact your BUFFALO dealer immediately.

Installation


- The appliance is not suitable for installation in an area where a water jet could be used.
 - Do not place the coffee maker on a highly polished wooden surface as damage may occur to the surface.
1. Connect the inlet hose supplied to the appliance and the mains water supply.
 2. Ensure the water pressure of the connected water supply is between 20~90 PSI.
 3. The use of a stop clock is recommended to isolate the unit from the water supply for servicing.

Operation



Preparation before first use

BUFFALO recommend that the appliance is cleaned out before using for the first time, or if the appliance has been sat unused for an extended period of time.

Manual filling mode	Auto filling mode
1. Slide the empty filter basket into position between the two basket tabs.	
2. Place the airpot on the base beneath the basket. Ensure the lid of the airpot is open and the tubular/spout insert is in place.	
3. Connect to the mains power supply.	
4. Turn the power switch  On. The power on indicator light illuminates.	
5. Fill the reservoir with cold water.	5. Press the auto-fill button to start automatic filling.
6. When fully filled, the "full" indicator light will illuminate.	
7. Press the brewing button. The brewing indicator light illuminates and the hot water will begin to fill the airpot.	

Note:



- For manual filling, ensure to use a coffee jug or measuring jug to avoid overfilling. The maximum amount of water the reservoir can contain is 2.2 litres. If too much water is filled, excess water will drain out through the overflow pipe.
- During operation, steam may rise from the appliance and loud bubbling noises may be heard. This is perfectly normal.

8. Once finished the brewing indicator light will switch off. Discard the hot water in the airpot.



WARNING: The airpot becomes hot during operation. Always pick up the airpot by the handle to avoid injury.

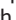
9. Repeat steps 1-8. The appliance is now ready for use.



Caution:

- **There is 0.5L of water remaining in the coffee maker boiler and hoses. Do not tip over after use. Also ensure to note this when the appliance is subject to freezing temperatures.**
- **If the appliance is ever drained down, ensure to repeat the above preparation steps.**

Making Coffee

1. Place a paper filter inside the filter basket. Before this ensure the filter support already lies flat at the bottom of the basket.
2. Measure the required amount of ground coffee into the filter paper. Then slide the filter basket into position.
3. Place the airpot on the base beneath the basket. Ensure the lid of the airpot is open and the tubular/spout insert is in place.
4. Connect to the mains power supply.
5. Turn the power switch  On. The power on indicator light illuminates.
6. Press the auto-fill button to start automatic filling.
7. When fully filled, the "full" indicator light will illuminate.
8. Press the brewing button. The brewing indicator light illuminates and the hot coffee will begin to fill the airpot.




Note: During operation, steam may rise from the appliance and loud bubbling noises may be heard. This is perfectly normal.

9. Once finished the brewing indicator light will switch off.



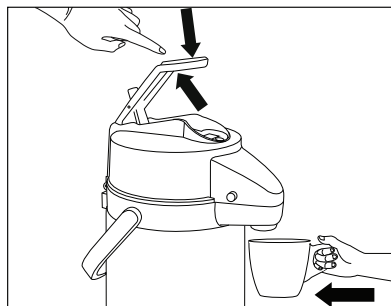
WARNING: The airpot becomes hot during operation. Always pick up the airpot by the handle to avoid injury.

10. To turn Off the appliance, press the power switch .
11. Remove the airpot from the base. Close the lid to keep the coffee warm.
12. Discard the coffee residue and filter paper from the filter basket.

Using the airpot for dispensing

The insulated airpot has a brew-thru lid so that coffee is dispensed straight into the vessel without losing heat. The airpot lid can be securely closed and easily carried to the action without any risk of spillage or the coffee cooling down during transportation.

You can easily dispense fresh coffee by using the fold down metal pump lever on the top of the airpot.



Cleaning, Care & Maintenance

- **Always turn off and disconnect the appliance from the power supply before cleaning.**
- Use soapy water and a damp cloth to clean the exterior of the appliance.
- Wash the airpot and filter basket with warm soapy water.
- Dry thoroughly after cleaning.

Descaling


In hard water areas limescale can build up within the appliance after prolonged use. For best taste and extended appliance life, descale it regularly. Installation of a water filtration system is also recommended.

BUFFALO recommend descaling your unit every 3 months or more frequently. To descale the appliance:

1. Pour a solution of descaler and water into the reservoir.



Use a suitable descaler and follow the manufacturer's instructions on the container.

2. Turn the power switch  On and Press the brewing button.
3. After approximately 4 minutes turn the appliance Off to allow the descaling solution to work through the system.
4. After approximately 10 minutes turn the appliance back On. Allow the reservoir to empty.
5. Discard the solution collected in the airpot.
6. Fill the reservoir with clean water and turn the appliance back On to flush out the system and remove any descaler residue. Discard the collected water and rinse the airpot. Repeat with clean water 2 more times to flush out.
7. The appliance is now ready for use.

Troubleshooting

Fault	Probable Cause	Solution
The unit is not working	The unit is not switched on	Check the unit is plugged in correctly and switched on
	Plug and lead are damaged	Call BUFFALO agent or qualified Technician
	Fuse in the plug has blown	Replace the plug fuse
	Power supply	Check power supply
	Internal wiring fault	Call BUFFALO agent or qualified technician
	Overheating protection is activated	Reset the appliance
Coffee is not coming from the filter basket	No water in reservoir	Turn Off and fill reservoir
	Coffee is too compact within the filter	Turn off, loosen coffee within the filter and resume
Loud noise coming from appliance	No water in reservoir	Turn Off and fill reservoir

Technical Specifications

Model	Voltage	Power	Current	Reservoir Capacity	Dimensions h x w x d mm	Weight
CW306	230-240V 50Hz	1900- 2100W	8.26A	2.2 litre	565 x 205 x 380	7.4Kg

Electrical Wiring

This appliance is supplied with a 3 pin, moulded, BS1363 plug and lead, with a 13 amp fuse as standard.

The plug is to be connected to a suitable mains socket.

This appliance is wired as follows:

- Live wire (coloured brown) to terminal marked L
- Neutral wire (coloured blue) to terminal marked N
- Earth wire (coloured green/yellow) to terminal marked E

This appliance must be earthed.



If in doubt consult a qualified electrician.

Electrical isolation points must be kept clear of any obstructions. In the event of any emergency disconnection being required they must be readily accessible.

Compliance

The WEEE logo on this product or its documentation indicates that the product must not be disposed of as household waste. To help prevent possible harm to human health and/or the environment, the product must be disposed of in an approved and environmentally safe recycling process. For further information on how to dispose of this product correctly, contact the product supplier, or the local authority responsible for waste disposal in your area.



BUFFALO parts have undergone strict product testing in order to comply with regulatory standards and specifications set by international, independent, and federal authorities.



BUFFALO products have been approved to carry the following symbol:

All rights reserved. No part of these instructions may be produced or transmitted in any form or by any means, electronic, mechanical, photocopying, recording or otherwise, without the prior written permission of BUFFALO.

Every effort is made to ensure all details are correct at the time of going to press, however, BUFFALO reserve the right to change specifications without notice.



UK	0845 146 2887
NL	0800 – 29 1 29
	040 – 2628080
FR	0800 - 29 2 29
	01 60 34 28 80
DE	0800 – 1860806
IT	N/A
ES	901-100 133
PT	vendas@nisbets.pt

DECLARATION OF CONFORMITY

• Conformiteitsverklaring • Déclaration de conformité • Konformitätserklärung • Dichiarazione di conformità •
• Declaración de conformidad • Declaração de conformidade

Equipment Type • Uitrustingstype • Type d'équipement •
Gerätetyp •
Tipo di apparecchiatura • Tipo de equipo • Tipo de equipamento

Model • Modèle • Modell • Modello • Modelo • Malli

Application of Council Directives(s)
Toepassing van Europese Richtlijn(en) • Application de la/des
directive(s) du Conseil • Anwendbare EU-Richtlinie(n) •
Applicazione delle Direttive • Aplicación de la(s) directiva(s) del
consejo • Aplicação de directiva(s) do Conselho

Producer Name • Naam fabrikant • Nom du producteur • Name
des Herstellers • Nome del produttore • Nombre del fabricante •
Nome do fabricante

Producer Address • Adres fabrikant • Adresse du producteur •
Anschrift des Herstellers • Indirizzo del produttore • Dirección del
fabricante • Endereço do fabricante

Filter Coffee Maker with 2.3Ltr Airpot

CW306

Low Voltage Directive (LVD) 2014/35/EC
EN 60335-1:2012 +A11:2014 +A13:2017
60335-2-75:2004 +A1:2005 +A11:2006 +A2:2008
+A12:2010
EN 62233:2008

**Electro-Magnetic Compatibility (EMC) Directive
2014/30/EU**
EN 55014-1:2006 +A1:2009 +A2:2011
EN 55014-2:2015
EN 61000-3-2:2014
EN 61000-3-3:2013

**Restriction of Hazardous Substances Directive
(RoHS) 2015/863 amending Annex II to Directive
2011/65/EU**

Buffalo

Fourth Way,
Avonmouth,
Bristol,
BS11 8TB
United Kingdom

42 North Point
Business Park
New Mallow Road
Cork
Ireland

I, the undersigned, hereby declare that the equipment specified above conforms to the above Directive(s) and Standard(s).
Ik, de ondergetekende, verklaar hierbij dat de hierboven gespecificeerde uitrusting goedgekeurd is volgens de bovenstaande
Richtlijn(en) en Standaard(en).

Je soussigné, confirme la conformité de l'équipement cité dans la présente à la / aux Directive(s) et Norme(s) ci-dessus
Ich, der/die Unterzeichnende, erkläre hiermit, dass das oben angegebene Gerät der/den oben angeführten Richtlinie(n) und Norm(en)
entspricht.

Il sottoscritto dichiara che l'apparecchiatura di sopra specificata è conforme alle Direttive e agli Standard sopra riportati.

El abajo firmante declara por la presente que el equipo arriba especificado está en conformidad con la(s) directiva(s) y estándar(es)
arriba mencionadas.

Eu, o abaixo-assinado, declaro que o equipamento anteriormente especificado está em conformidade com a(s) anterior(es) Directiva(s)
e Norma(s)

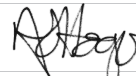
Date • Data • Date • Datum • Data • Fecha • Data

Signature • Handtekening • Signature • Unterschrift
Firma • Firma • Assinatura

Full Name • Volledige naam • Nom et prénom • Vollständiger Name •
Nome completo • Nombre completo • Nome por extenso

Position • Functie • Fonction • Position • Qualifica • Posición • Função

5th July 2019



Ashley Hooper

Technical & Quality Manager



<http://www.buffalo-appliances.com/> 

CW306_UK_A5_v3_20190711