
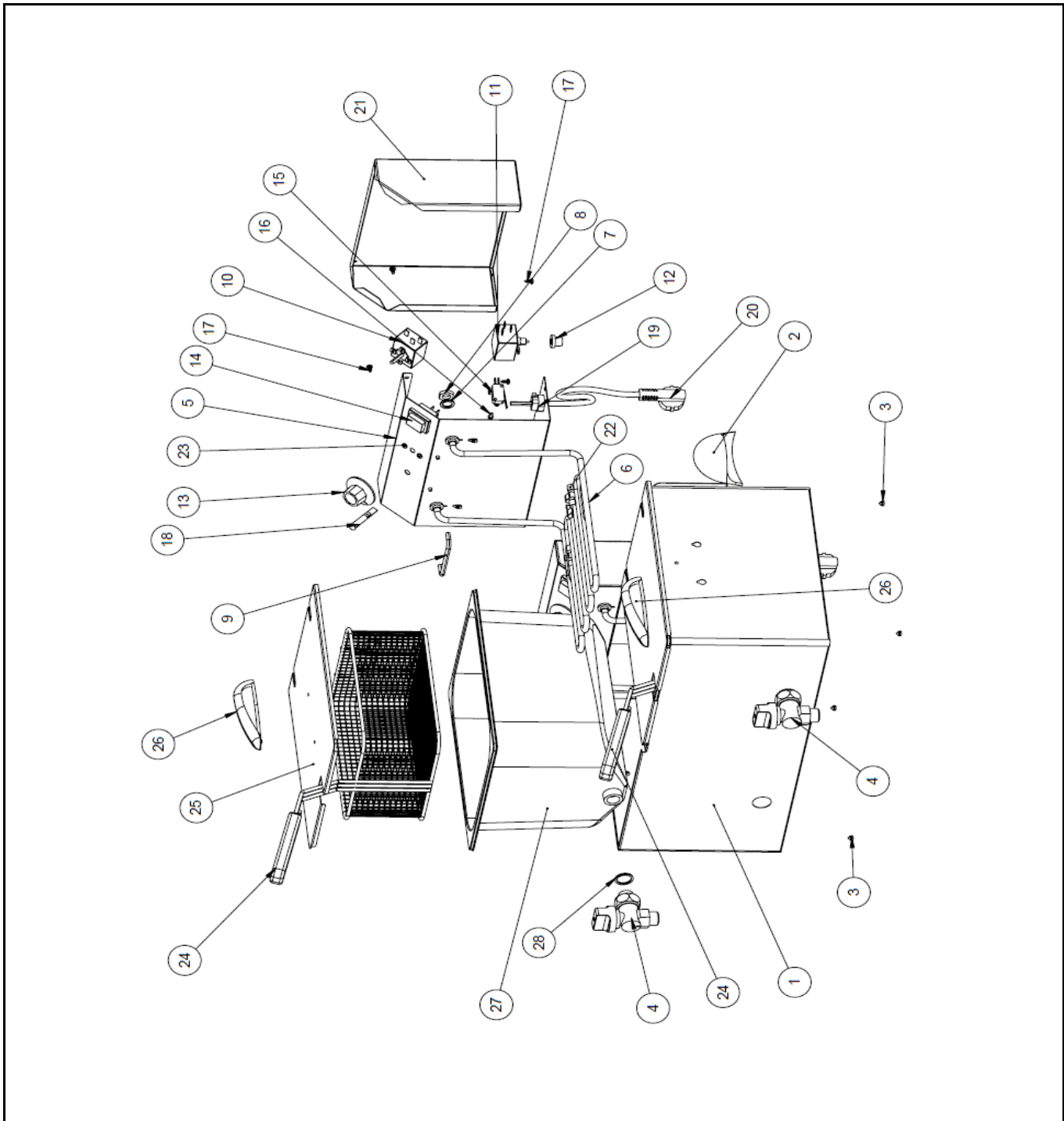



Drawing

 HENDI FOOD SERVICE EQUIPMENT Hendi B.V. Steenoven 21 3911 TX Rhenen The Netherlands	Batch #	Appliance part#
	Batch nr 000000 until 401060 and 401248	209301
	Description	
	Deep fryer Masterpro 2x8L with faucet	

Date	15-07-2015	Revision #	Revision version
Revision	First bill of materials (BOM)		



Bill of materials (BOM)

 <p>HENDI FOOD SERVICE EQUIPMENT</p> <p>Hendi B.V. Steenoven 21 3911 TX Rhenen The Netherlands</p>	Batch #	Appliance part#
	Batch nr 000000 until 401060 and 401248	209301
	Description	
Deep fryer Masterpro 2x8L with faucet		


Date	15-07-2015	Revision #	Revision version
Revision	First bill of materials (BOM)		

Item	Description	Part#	Quantity	Remark	Picture
1	Frame	n/a	1		
2	Grip for frame incl screw	905258	2		
3	Buffer	207185	4		
4	Faucet	251515	2		
5	Fryer head complete	209295	2	incl item 6;7;8;9;10;11;12;13;14;15 16;17;18;19;20;21;22;23	
6	Element 3250W 230V	207048	2	Also in 209295	
7	Washer 13.5x20	nss	4	Available as 209295	
8	Nut 1/4"	nss	4	Available as 209295	
9	Bracket	643617	2	Also in 209295	
10	Thermostat 190°C EGO	205228	2	Also in 209295	
11	Hi-Limiter 230°C	929001	2	Also in 209295	
12	Cover	nss	2	Available as 209295	
13	Knob thermostat	205235	2	Also in 209295	
14	Switch	205426	2	Also in 209295	
15	Micro switch 16A/250V	207093	2	Also in 209295	
16	Sheet-metal screw 3,5 x 13	nss	4	Available as 209295	
17	Sheet-metal screw 4.2x9.5	nss	8	Available as 209295	
18	Indicator light yellow	201145	2	Also in 209295	
19	Pull relief PA107	920107	2	Also in 209295	
20	Power cord	207017	2	Also in 209295	
21	Back cover	nss	2	Available as 209295	
22	Leaf spring SS	207314	6	Also in 209295	
23	Screw M4x5	nss	6	Available as 209295	
24	Fryer basket	643617	2		
25	Lid	209226	2		
26	Grip for lid incl screw	209233	2		
27	Fryer basket with drain	209264	2		
28	afsluit ring aluminium 26x21x2	nss	2	Available as 251515	

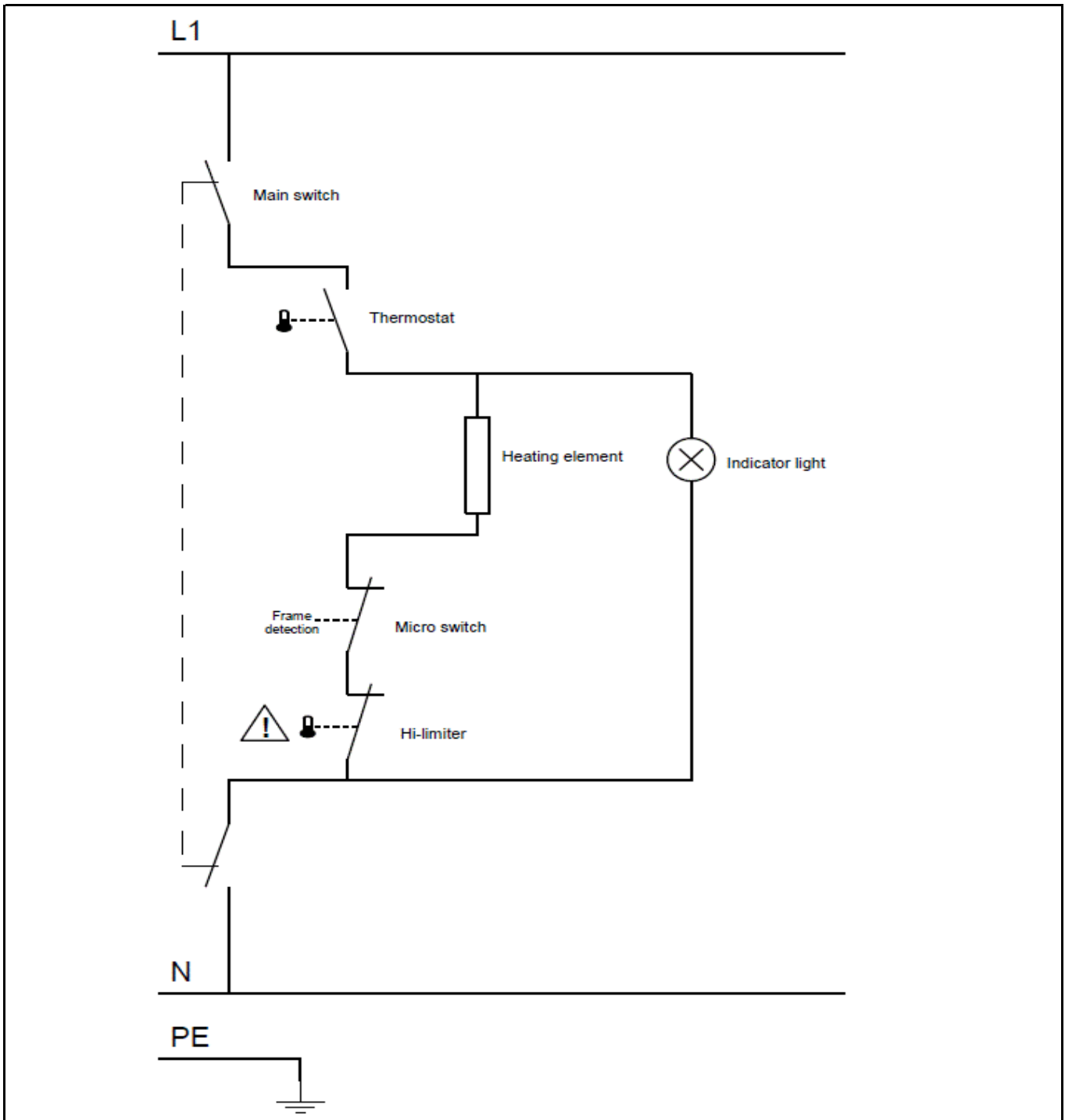
n/a -> not available

nss -> not sold separately


Circuit diagram

 <b style="font-size: 24pt; font-weight: bold;">HENDI <small>FOOD SERVICE EQUIPMENT</small> Hendi B.V. Steenoven 21 3911 TX Rhenen The Netherlands	Batch #	Appliance part#
	Batch nr 000000 until 401060 and 401248	209301
	Description	
	Deep fryer Masterpro 2x8L with faucet	

Date	15-07-2015	Revision #	Revision version
Revision	First bill of materials (BOM)		



Wiring diagram

 <p>Hendi B.V. Steenoven 21 3911 TX Rhenen The Netherlands</p>	Batch #	Appliance part#
	Batch nr 000000 until 401060 and 401248	209301
	Description	
	Deep fryer Masterpro 2x8L with faucet	

Date	15-07-2015	Revision #	Revision version
Revision	First bill of materials (BOM)		

