



E3441 / E3441R ELECTRIC GRIDDLES



E3441

MODELS and ACCESSORIES

E3441 - Polished steel griddle

E3441R - Ribbed steel griddle

- Fixed stand
- Mobile stand
- Fixed installation kit for stand
- Suiting kit

KEY FEATURES

- 18mm highly polished steel griddle plate
 - provides consistent, even heat
- Ribbed plate version available
 - creates branded effect on cooked food
- Temperature range of 80 - 290°C
 - a wide range of food items can be prepared
- Thermostatically controlled
 - reduces energy consumption, improved operation
- Full height surround
 - protects surrounding areas
- Integral, large capacity grease jug
 - retains grease for quick and easy cleaning
- Supplied on adjustable feet
 - variable working height
- Laser-etched control icons
 - permanent, indelible markings

INSTALLATION NOTES

Adequate ventilation must be provided to supply sufficient fresh air and to allow easy removal of any such products that may present a risk to health. Please consult current legislation for details that relate to specific locations.

Install unit on a level, fireproof surface in a well-lit position. If floor is made of a combustible material, local fire requirements must be checked to ensure compliance.

A clearance of 150mm should be observed between appliance and any combustible wall.

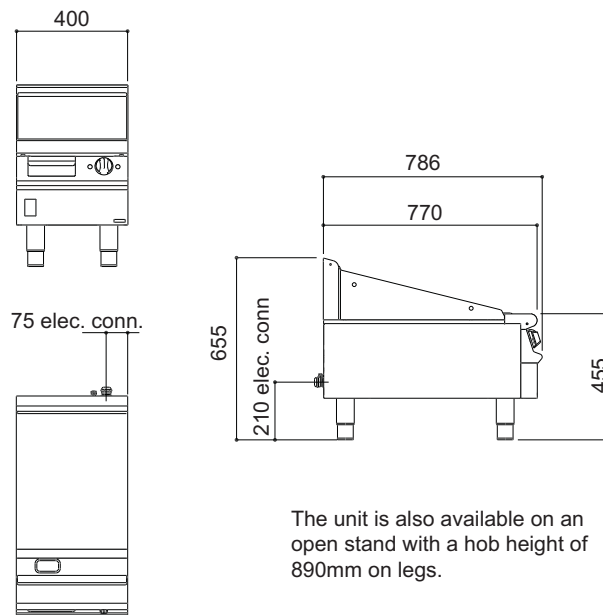




DOMINATOR PLUS

E3441 / E3441R ELECTRIC GRIDDLES

MODEL DIMENSIONS (in mm)



The unit is also available on an open stand with a hob height of 890mm on legs.

SPECIFICATION DETAILS

	E3441 / E3441R
Electrical rating (kW)	3.44
Electrical supply voltage	230V~
Required electrical supply 230V (amps)	20
Electrical current split (amps)	L1: 14.97
Weight (kg)	59
Packed weight (kg)	61