



Electric Convection Oven

USER'S MANUAL



BCO1



1. Warnings for installation

- 1.1 Installing the oven, in a location free from rain and snow, and near the fire extinguisher.
- .2 A wet oven can be a source of electrical shock and the oven can be damaged.
- .3 Be sure to install complying with industry standards. Incomplete installation can cause stumbling accidents, electrical shock, fire or water leakage.
- .4 The rubber feet must be installed on the equipment firmly. Do not use the oven without feet.
- .5 Do not install any equipment on the floor.
- .6 Do not carry the oven by yourself. Ask for another's help. The oven should not be carried by one person; otherwise it may be dropped and cause injury.
- .7 Be sure to install the oven on a flat and solid surface. Otherwise the unit may topple over, causing injury or burns, or water in the unit may overflow. If someone suffers burns, cool the affected part with cold water and have them see a doctor immediately.
- .8 Be sure to provide with clearance of at least 4 inches (10cm) between the unit and walls. Insufficient clearance may cause generated heat to damage the other ambient products.
- .9 Remove all the adhesive film which cover the body surface before using.
- .10 Be sure to connect the power cord complying with industry standards.
- .11 Check the power supply to see if it can satisfy the specification of the oven. The working voltage range cannot out of $\pm 10\%$ when the oven working. Violating this standard can cause electrical shock or fire. If you cannot identify the specification of the power supply used, consult the supplier.
- .12 Be sure to connect a ground wire to the oven. Operating the oven without grounding it can cause electrical shock or fire by a short circuit.
- .13 A bi-pole switch must be installed between the oven and the power.
- .14 Do not bundle the power cord; otherwise a fire can be cause.
- .15 Do not step on, squeeze, or forcedly twist the power cord; otherwise the power cord can be damaged, causing electrical shock or fire. If your power cord has been damaged, consult the supplier for replacement.

2. Warnings for operation

- 2.1 Do not operate any switch with a wet hand; otherwise, you can get an electrical shock.
- 2.2 Do not use combustibles (e.g., thinner), combustible gases, or volatile matter near the oven; otherwise explosion or fire can be caused.
- 2.3 Do no put anything on the oven while using oven. The heat could cause deformation, cracking, etc.
- 2.4 Be careful not to burn yourself during use or immediately after use.
- 2.5 The metal parts and glass window of the door become extremely hot during use; be careful not to touch them when opening and closing the door.
- 2.6 Do not immerse the heater. If a drop of water gets into the heating element from the connecting part,



it may cause a short circuit or other defects.

- 2.7 When hot, do not apply water to the glass window. It may cause the glass to break.
- 2.8 Do not touch any place except for the handle and switch during heating, otherwise you can suffer burns since the body is very hot.
- 2.9 If the oven has been submerged due to a disaster or other problem, replace all electric parts and wiring. Otherwise, electrical shock or fire can be caused.
- 2.10 Maintain the contents products with the food hygiene laws. Inappropriate daily hygiene maintenance can cause accidents.
- 2.11 Consult a specialty repair shop or the store where you purchased the oven for repairs. Incomplete repairs can cause electrical shock, burns, fire or stumbling.
- 2.12 If the earth leakage breaker operates frequently, consult a specialty repair shop or the store where you purchased the oven for repair. If you continue to use the oven without repair, electrical shocks or files can be caused.
- 2.13 Do not disassemble the oven; otherwise accidents can be caused.
- 2.14 When removing dirt on the oven, do not use chemicals, such as thinner or benzine; otherwise accidents can be caused.
- 2.15 Do not stack the oven by three or more heavy (120Kg(280lb)); otherwise stumbling accidents or injuries can be caused.
- 2.16 Clean the inside of the storage daily; otherwise defects or bad smell can be caused.
- 2.17 Note that some extra steam may be released from a drainage pipe behind the oven (for YXD-2AE, YXD-4AE).

Purpose of Using the Oven

The oven was designed only to be used baking cakes, pies, cookies, poultry, beef, pork, bread, steak, etc.

Do not use for other purposes.

Do not warm up carbonated drinks in cans or bottles; otherwise the containers can explode, causing injuries.

3. Using the oven

3.1 Preparations before using

① Feet assembly

- The feet are placed inside the appliance and must be assembled. Do not use the appliance without feet.
- Screw the support feet to the bottom of the appliance.
- Adjust the appliance height by screwing or unscrewing the feet themselves.

② Positioning

- Install the oven on a flat and solid surface.
- ③ Remove the protective film.
- ④ Take out the tray from the body and wash it.
- ⑤ Wipe the inside and outside of the oven with a damp cloth. Then, wipe with dry cloth.
- ⑥ Electrical connection
 - Before connecting make sure that the voltage and the frequency correspond to that stated on the Rating Plate on the appliance.
 - Place a bi-polar switch between the appliance and the network accessible after installation, whose contacts have a minimum opening distance of 3mm, with an appropriate input.
 - The appliance must be connected to the ground line of the network.
 - The appliance must be included in an equipotential system whose efficiency must be suitably checked according to that stated in the Standard. This connection is carried out between different appliances with the terminal marked by the.
 - The equipotential conductor must have a minimum section of 10 mm².
 - Connect the power cord to the power supply source. Be sure the power cord is strongly kept in position.

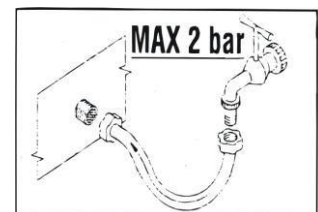
⑦ Water connection (for YXD-2AE, 4AE only)

Water connection to the network:

- Connect the decalcified water inlet ducts placed on the back of the oven to the specific distribution network by means of a mechanical filters and a cut-off cock.
- Before connecting the filters let a certain quantity of water flow to clean the duct from any ferrous slag.
- The water must have a hardness between 0.5o-5oF in order to reduce the formation of limestone deposits and a pressure value between 0.5-2 bar.
- The quantity of water which has to be vaporized inside the oven must be regulated by means of the “micro-cock” placed in the rear part of the appliance.
- Regulate the micro-tap to inject only a trickle of water on the fan. A excess of water can cause a quantity of condensation too much elevated and flood the baking chamber.

Condensation water drain:

- The draining of the steam condensation water is positioned in the rear part of the oven and is to be connected with a rigid or flexible pipe and conveyed to an open drain. Its diameter must not be lower than that of the drain attachment and the length not greater than one metre.
- The drain pipe must remain at least 20 cm below the drain attachment in order to facilitate the downflow.





- Avoid chokes on the flexible ducts or elbows for metallic ducts, along all the run of drain.

3.2 Instruction for use

Note that the “Convection cooking” function and the “Upper heater cooking” function work independently. You can not use the two functions at the same time.

3.2.1 How to use Timer

- ① Set the time switch knob to the number which indicates the cooking time according to the food you are going to cook.
- ② Set the Timer by turning it clockwise. The oven will turn off automatically at the end of the selected time and a bell will ring.
- ③ The oven can be turned off manually during cooking by turning the Timer counter-clockwise to the “0” position.

3.2.2 Convection cooking

- ① Turn on the power of the oven.
- ② Set the Temperature Control to desired temperature(0-300°C).
- ③ Turn the Timer to desired time(0-120min). The Temperature Light, Timer Light, and the inside lamp are on.
- ④ The Temperature Light will be off when the temperature rise to the desired temperature. Then it will on when the temperature lower down. This process will be circulated automatically.

3.2.3 Using steam function (For YXD-2AE, YXD-4AE only)

- ① Turn on the power of the oven.
- ② Set the Temperature Control to desired temperature(0-300°C).
- ③ Turn the Timer to desired time(0-120min). The Timer Light, Temp Light and the inside lamp are on.
- ④ Push the Steam Button, it injects humidity inside the baking chamber by manual pulses. The Steam light is on.

Note:

- Do not push the button for a long time.
- Some extra steam may be released from a drainage pipe behind the oven.



3.2.4 Using Upper Heater for cooking (For YXD-3AE,4AE only)

- ① Turn on the power of the oven.
- ② Set the Upper Heater's Temperature Control to desired temperature(0-300°C).
- ③ Turn the Timer to desired time(0-120min). The Upper Heater's Light, Timer Light, and the inside lamp are on.
- ④ The Upper Heater's Light will be off when the temperature rise to the desired temperature. Then it will on when the temperature lower down. This process will be circulated automatically.

4. Maintenance of oven

Replacing water

WARNING

1. When inspecting, cleaning, or maintaining the body, be sure to turn off the power switch and disconnect the power supply; otherwise or you can get electrical shock caused by a short circuit.
2. Clean the inside of the oven daily to keep it clean.

- 4.1 Turn off the power switch and disconnect the power cord from the supply.
- 4.2 Open the door and leave it for at least 10 minutes to lower the temperature in the oven.
- 4.3 Wipe the oven using a damp cloth.

5. Storing the oven

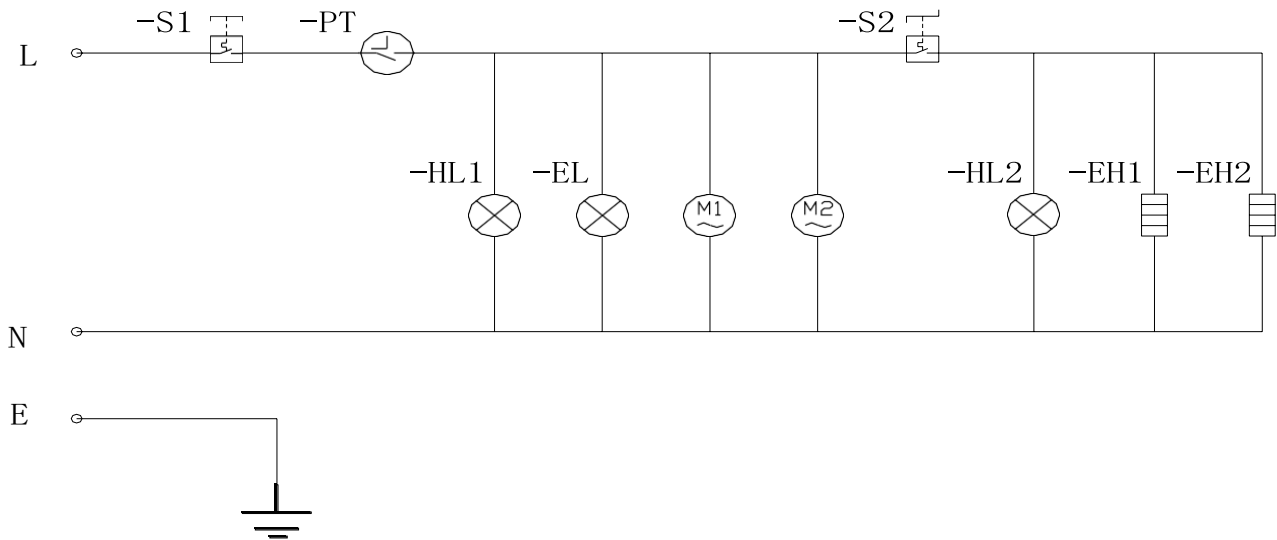
- 5.1 When not in use, turn off the power switch and disconnect the power cord from the supply.
- 5.2 Bundle the power cord and put the bundle on the body.
- 5.3 Cover the body with a plastic bag and pack it in a corrugated cardboard box. Store it in a location with low humidity.



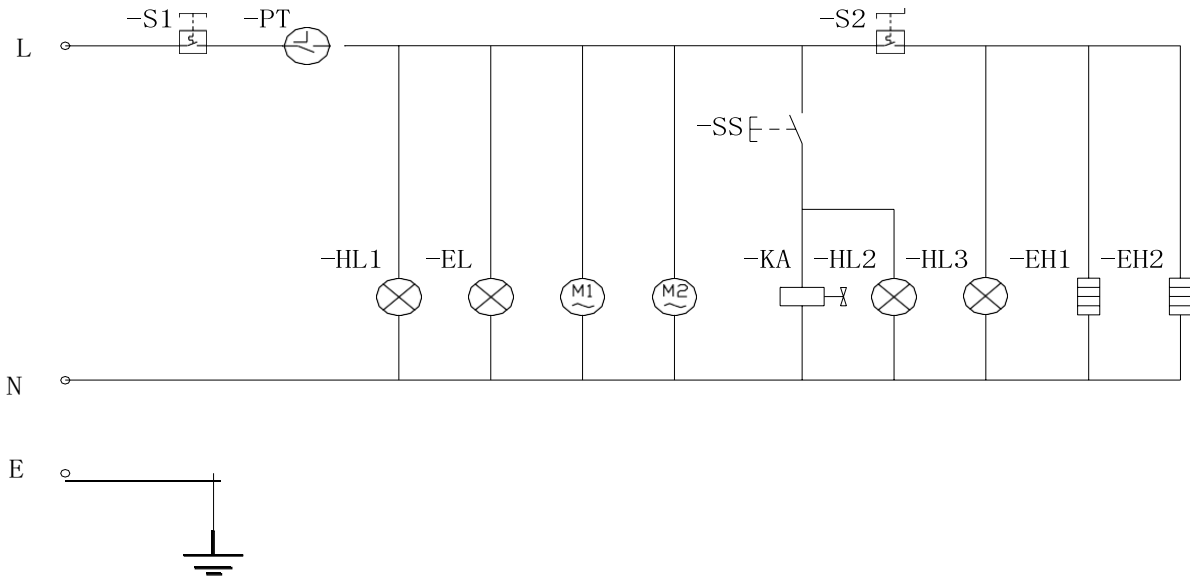
6. Specifications

Model	BCO1	YXD-2AE	YXD-3AE	YXD-4AE
Supply voltage	220-240 V	220-240 V	220-240 V	220-240 V
Rated demanded	2670W	2670W	2670W (for convection heater)+2000W (for upper heater)	2670W (for convection heater)+2000W (for upper heater)
Lighting Power	30W	30W	30W	30W
Safety device	Temperature fuse 330°C	Temperature fuse 330°C	Temperature fuse 330°C	Temperature fuse 330°C
Functions	Convection heater	Convection heater + Steam	Convection heater + Upper heater	Convection heater + Steam + Upper heater

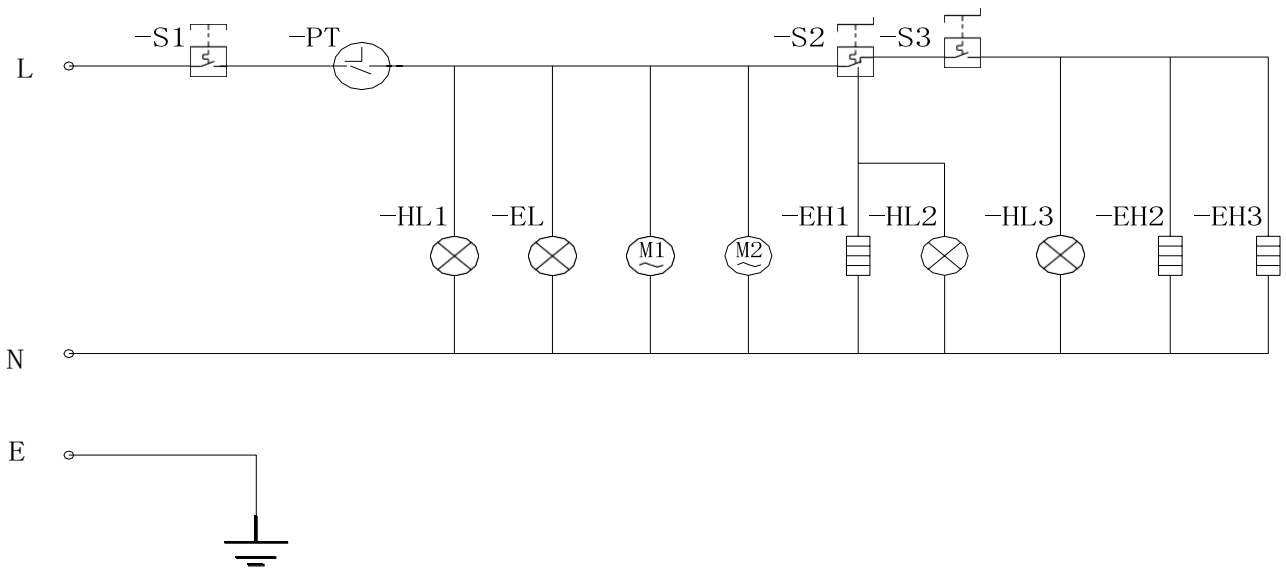
7. Electric circuit diagram



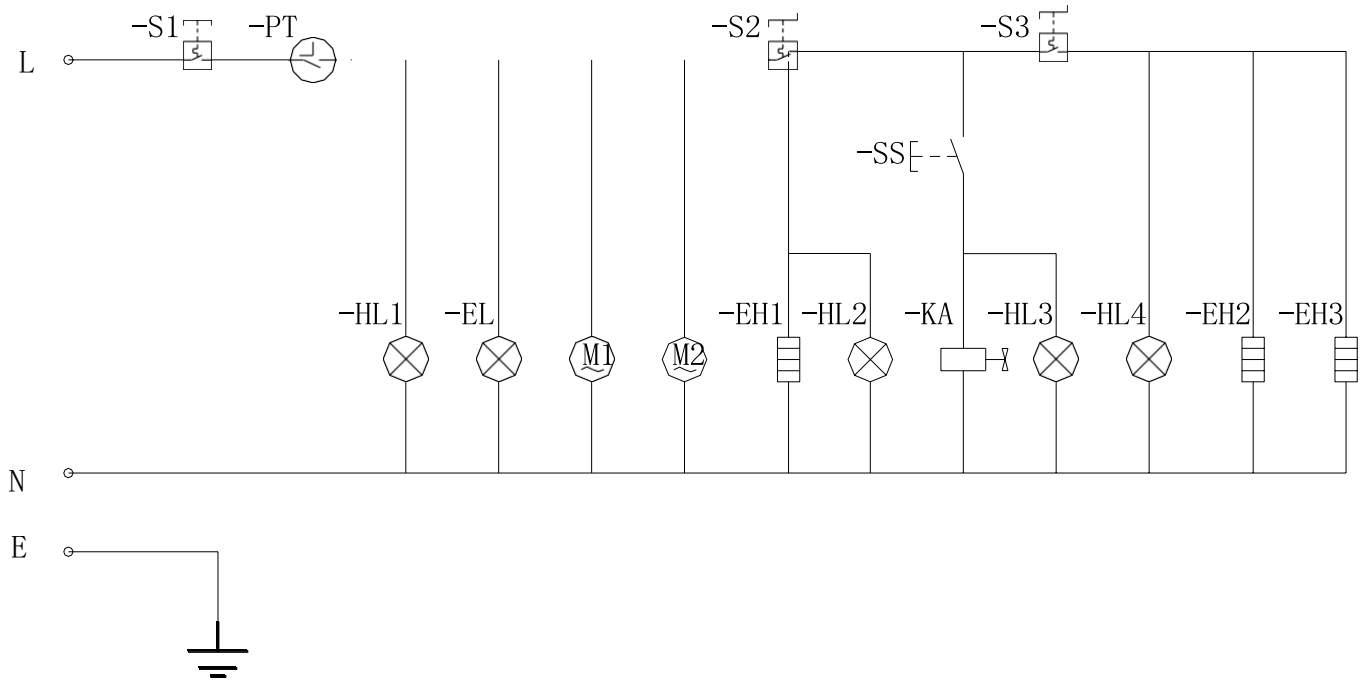
(BCO1)



(YXD-2AE)



(YXD-3AE)



(YXD-4AE)

EH1---Upper Heater EH2、EH3--- Main Heater
 EL---Inside Lamp M1、M2---Convection fan
 SS---Micro-active Switch KA---Magnetic Valve
 S3---Thermostat for Main Heater
 S2---Thermostat for Upper Heater
 S1---Fuse PT---Timer
 HL1~HL4---Pilot Light

8. Dimensions, Capacities, Weights

BCO1	Dimensions: 595 × 595 × 570 (mm)
	Inner: 460 × 380 × 360 (mm)
	Weight: 35kg
YXD-2AE	Dimensions: 595 × 595 × 570 (mm)
	Inner: 460 × 380 × 360 (mm)
	Weight: 36kg
YXD-3AE	Dimensions: 595 × 595 × 570 (mm)
	Inner: 460 × 380 × 360 (mm)
	Weight: 38kg
YXD-4AE	Dimensions: 595 × 595 × 570 (mm)
	Inner: 460 × 380 × 360 (mm)
	Weight: 39kg



Disposal



EU regulations require product to be disposed of by specialist companies who remove or recycle all gasses, metal and plastic components. Consult your local waste collection authority regarding disposal of your appliance. Local authorities are not obliged to dispose of commercial equipment but may be able to offer advice on how to dispose of the equipment locally. All packaging materials should be disposed of in an environmentally friendly way.

Environmental protection



Discarded electric appliances are recyclable and should not be discarded in the domestic waste! Please actively support us in conserving resources and protecting the environment by returning this appliance to the collection centers (if available).

Compliance

Parts have undergone strict product testing in order to comply with regulatory standards and specification set by international, independent, and federal authorities. Products have been approved to carry the following symbol:

